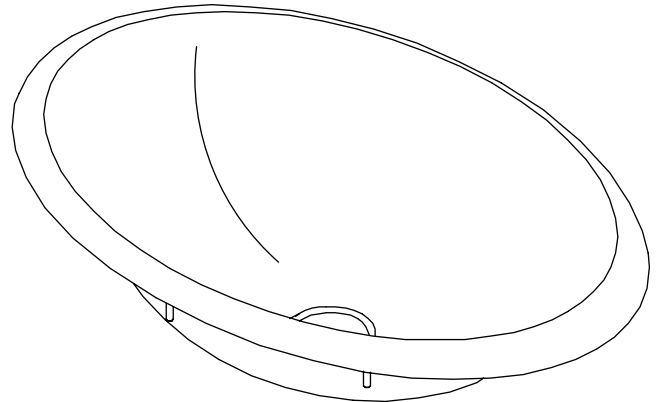


Features

- 23-1/4" (59.1 cm) x 15-3/8" (39.1 cm)
- Self-rimming
- 20 gauge stainless steel
- Satin finish with Hushcoat undercoat (-S)
- Mirror finish with Hushcoat undercoat (-M)
- Flywheel finish with Hushcoat undercoat (-A)
- Formal stripe finish with Hushcoat undercoat (-B)
- Installation hardware included
- Without overflow
- Chrome plated brass tube and gasket included to cover the overflow hole in the drain assembly

SELF-RIMMING LAVATORY K-2600



Codes/Standards Applicable

Specified model meets or exceeds the following:

- ASME A112.19.3
- CSA B45

Colors/Finishes

- NA: None applicable

Accessories:

- CP: Polished Chrome
- Other: Refer to Price Book for additional colors/finishes

Specified Model

Model	Description	Colors/Finishes
K-2600-S	Satin finish with Hushcoat undercoat lavatory	<input type="checkbox"/> NA
K-2600-M	Mirror finish with Hushcoat undercoat lavatory	<input type="checkbox"/> NA
K-2600-D	Flywheel finish with Hushcoat undercoat lavatory	<input type="checkbox"/> NA
K-2600-E	Formal stripe finish with Hushcoat undercoat lavatory	<input type="checkbox"/> NA
Recommended Accessories		
K-8998	P-trap	<input type="checkbox"/> CP <input type="checkbox"/> Other_____

Product Specification

The self-rimming oval lavatory shall be 23-1/4" (59.1 cm) in length, and 15-3/8" (39.1 cm) in width. Lavatory shall be made of 20 gauge stainless steel. Lavatory shall have a satin finish with Hushcoat undercoat (-S), mirror finish with Hushcoat undercoat (-M), flywheel finish with Hushcoat undercoat (-A), formal stripe finish with Hushcoat undercoat (-B). Lavatory shall include installation hardware. Lavatory shall have a chrome plated brass tube and drain gasket to cover the overflow hole in the faucet drain assembly. Lavatory shall be Kohler Model K-2600-_____-NA.

FANDANGO™

Technical Information

Fixture:*	basin area	water depth
Lavatory	18" (45.7 cm) x 13" (33 cm)	5-7/8" (14.9 cm)
Drain hole	1-5/8" (4.1 cm) D.	
* Approximate measurements for comparison only.		

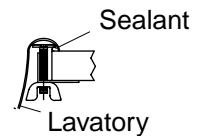
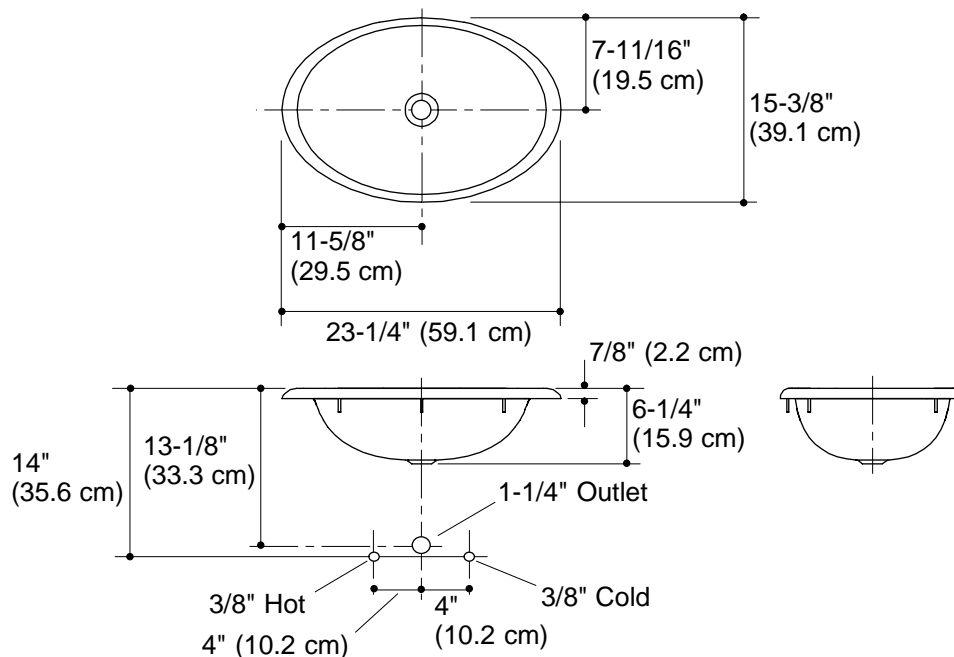
Included Components:	
Basin clamp assembly	7259
Drain gasket	33507
Tube	1011037-CP
Cut-out template	1006417-7

Installation Notes

Install this product according to the installation guide.

Supplied basin clamp assembly requires 3/4" (1.9 cm) minimum countertop thickness. Installer must supply anchors for thinner countertops.

NOTICE: Countertop manufacturer or cutter must use the cut-out template provided by Kohler Co. (call 1-800-4-KOHLER). Kohler Co. is not responsible for cut out errors when the incorrect cut-out template is used.



Kit #7259

Product Diagram