

### CAST IRON TOP AND BASIN LAVATORY K-3051

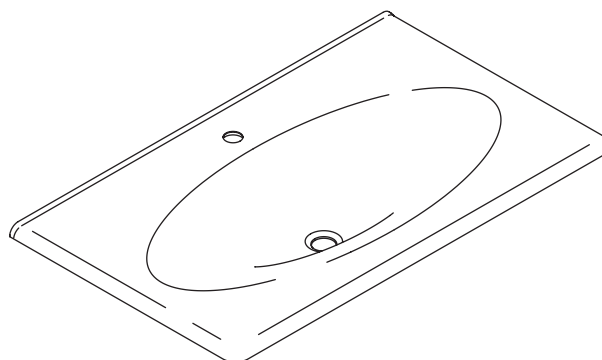
#### Features

- KOHLER cast iron
- Integrated top and basin
- Without overflow
- 8" (20.3 cm) centers (-8), 4" (10.2 cm) centers (-4), or single-hole (-1)
- 37-5/8" (95.6 cm) x 22-1/4" (56.5 cm)

#### Codes/Standards Applicable

Specified model meets or exceeds the following:

- ASME A112.19.1M
- CSA B45.0
- CSA B45.1
- IAPMO/UPC



#### Colors/Finishes

- 0: White
- Other: Refer to Price Book for additional colors/finishes

#### Accessories:

- CP: Polished Chrome
- Other: Refer to Price Book for additional colors/finishes

#### Specified Model

Model	Description	Colors/Finishes	
K-3051-1	Cast iron top and basin lavatory with single-hole	<input type="checkbox"/> 0	<input type="checkbox"/> Other_____
K-3051-4	Cast iron top and basin lavatory with 4" (10.2 cm) centers	<input type="checkbox"/> 0	<input type="checkbox"/> Other_____
K-3051-8	Cast iron top and basin lavatory with 8" (20.3 cm) centers	<input type="checkbox"/> 0	<input type="checkbox"/> Other_____

Recommended Vanity			
K-2452	Vanity, 36" (91.4 cm) length	<input type="checkbox"/> F7	<input type="checkbox"/> F8
K-2455	Vanity, 36" (91.4 cm) length		<input type="checkbox"/> F9
K-2459	Vanity, 36" (91.4 cm) length		<input type="checkbox"/> F10

Recommended Accessories			
K-9018	P-Trap	<input type="checkbox"/> CP	<input type="checkbox"/> Other_____

#### Product Specification

The cast iron lavatory shall be 37-5/8" (95.6 cm) in length and 22-1/4" (56.5 cm) in width. Lavatory shall have integrated top and basin. Lavatory shall be without overflow. Lavatory shall be available with 8" (20.3 cm) centers (-8), 4" (10.2 cm) centers (-4), or single-hole (-1). Lavatory shall be Kohler Model K-3051-\_\_\_\_-\_\_\_\_.

# IRON/IMPRESSIONS™

## Technical Information

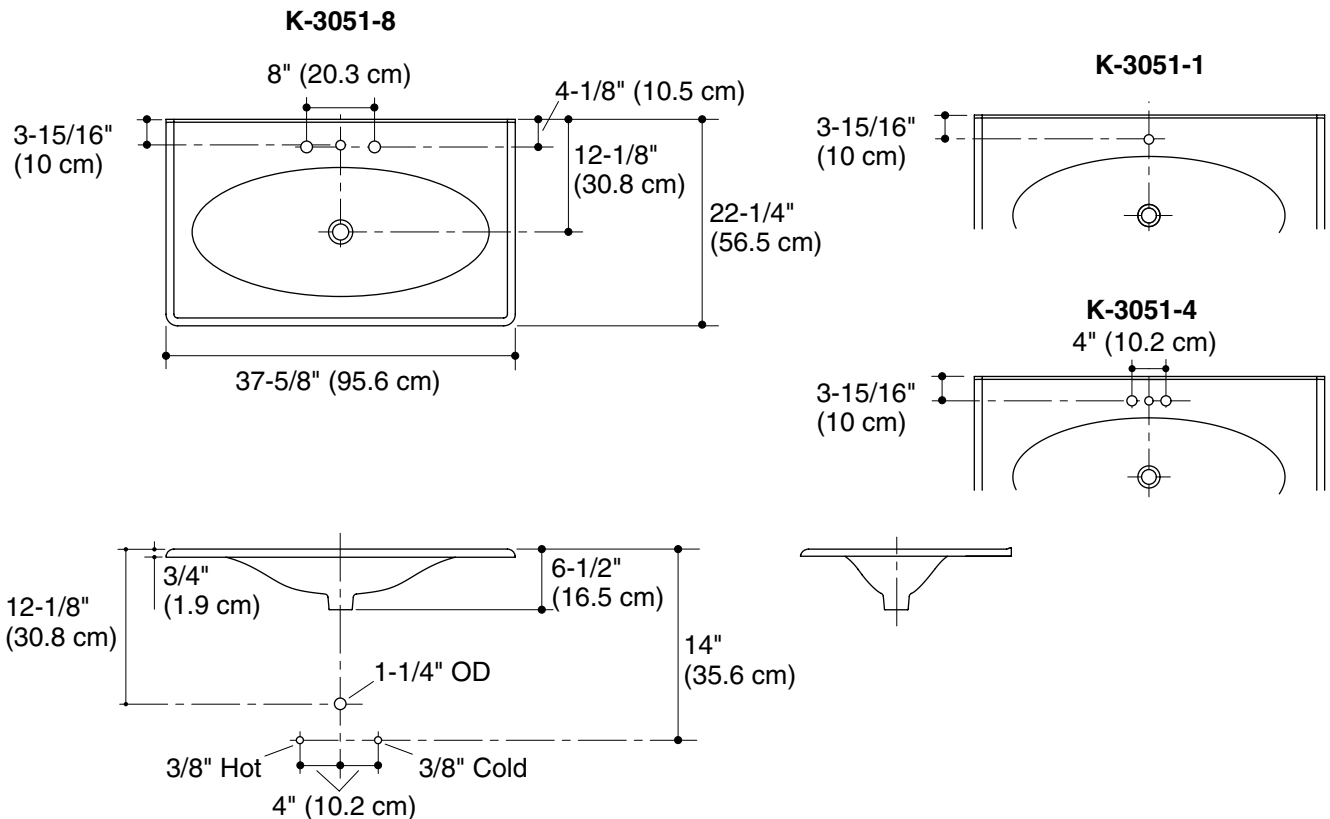
Fixture*:	
Basin area	32" (81.3 cm) x 13-7/8" (35.2 cm)
Water depth	4-1/2" (11.4 cm)
Drain hole	1-3/4" (4.4 cm) D.
* Approximate measurements for comparison only.	

## Installation Notes

**NOTE:** When selecting a faucet for this lavatory, ensure the faucet has a spout reach of 4-1/2" (11.4 cm) to 5" (12.7 cm) and has a spout height of 3" (7.6 cm) to 6" (15.2 cm).

Install this product according to the installation guide.

Product does not have an overflow.



## Product Diagram

IRON/IMPRESSIONS™ CAST IRON TOP AND BASIN LAVATORY

Page 2 of 2  
1049894-4-D

THE BOLD LOOK  
OF **KOHLER**®