

### Product Information

Applicable products:	
Lavatory – self-rimming	K-2804
Glazed underside – above-the-counter or wall-mount	K-2804-P5
Iron Etchings™ design – above-the-counter or self-rimming	K-14225
Fixture is ADA compliant when installed per the recommended ADA installation. <b>ADA</b>	

Fixture*:	
Basin area	13" (33 cm) x 12" (30.5 cm)
Water depth	4-3/8" (11.1 cm)
Drain hole	1-3/4" (4.4 cm) D.
*Approximate measurements for comparison only.	

Included components:	
Cut-out template	115887-7

### Installation Notes

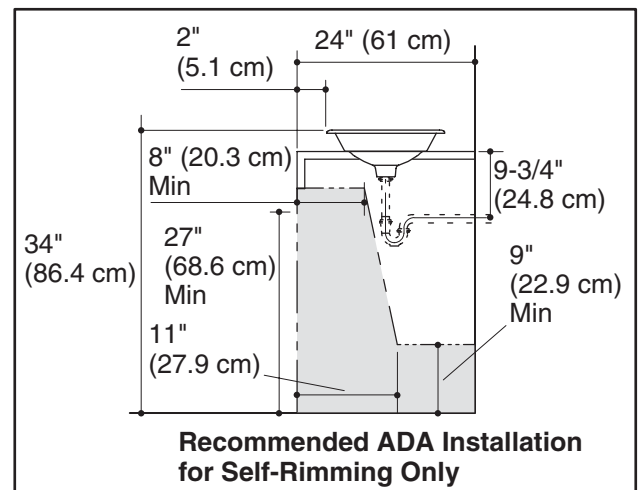
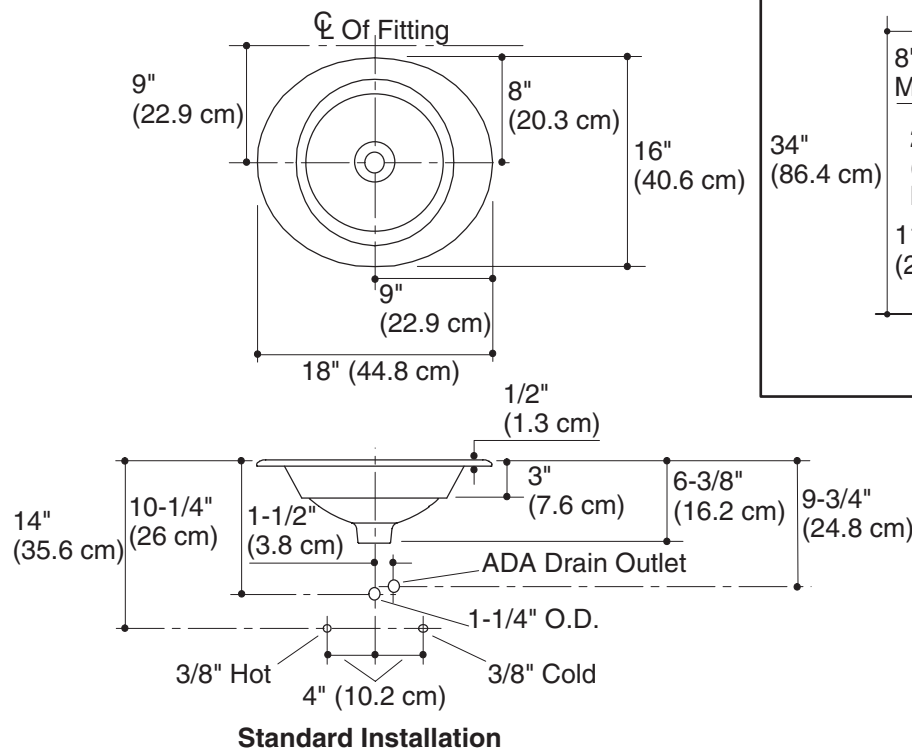
Install this product according to the installation guide.

Product does not have overflow.

Fixture dimensions are nominal and conform to tolerances in ASME Standard A112.19.1M.

Spout must be a minimum of 5" (12.7 cm) long for adequate clearance into the lavatory when installed with the centerline as shown.

Spout must be tall enough to clear the 3" (7.6 cm) rim height and provide a 1" (2.5 cm) air gap per ASME A112.1.2.



K-14225

