

Features

- KOHLER cast iron
- Without overflow
- Available as above-the-counter, self-rimming, or wall-bracket installation
- ADA compliant when distance from rim to floor is 34" (86.4 cm) [self-rimming only]
- Optional wall-mount bracket [K-9655]
- 18" (45.7 cm) x 16" (40.6 cm)

VESSELS LAVATORY

K-2804

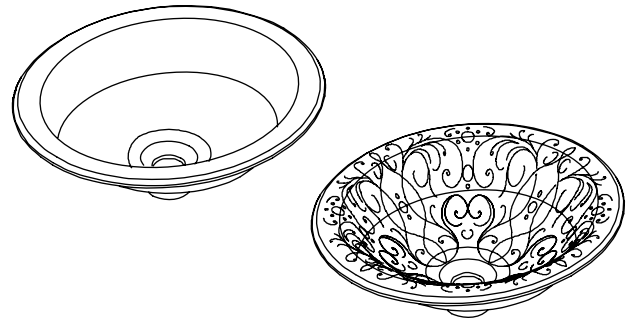
ALSO K-14225

ADA

Codes/Standards Applicable

Specified model meets or exceeds the following:

- ADA
- ASME A112.19.1
- IAPMO/UPC
- CSA B45.0
- CSA B45.2
- CSA International
- ICC/ANSI A117.1



Colors/Finishes

- 0: White
- Other: Refer to Price Book for additional colors/finishes

Accessories:

- CP: Polished Chrome
- Other: Refer to Price Book for additional colors/finishes
- NA: None applicable

Specified Model

Model	Description	Colors/Finishes	
K-2804	Lavatory – self-rimming	<input type="checkbox"/> 0	<input type="checkbox"/> Other _____
K-2804-P5	Glazed underside – above-the-counter or wall-mount bracket	<input type="checkbox"/> 0	<input type="checkbox"/> Other _____
K-14225	Iron Etchings™ design – above-the-counter or self-rimming	<input type="checkbox"/> 0	<input type="checkbox"/> Other _____

Recommended Accessories			
K-9018	P-Trap	<input type="checkbox"/> CP	<input type="checkbox"/> Other _____

Optional Accessories		
K-9655	Vessels wall-mount bracket – for use with K-2804-P5 or K-14225	<input type="checkbox"/> NA

Product Specification

The lavatory shall be made of cast iron. Lavatory shall be 18" (45.7 cm) in width and 16" (40.6 cm) in length. Lavatory shall be without overflow. Lavatory shall be available as above-the-counter, self-rimming, or wall-bracket installation. Lavatory shall be ADA compliant when distance from rim to floor is 34" (86.4 cm) [self-rimming only]. Lavatory shall have optional wall-mount bracket [K-9655] available. Lavatory shall be without overflow. Kohler Model K-____-____ or K-____-____-____

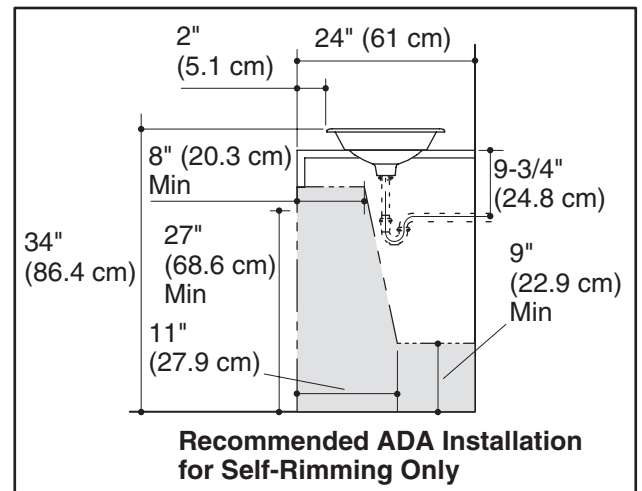
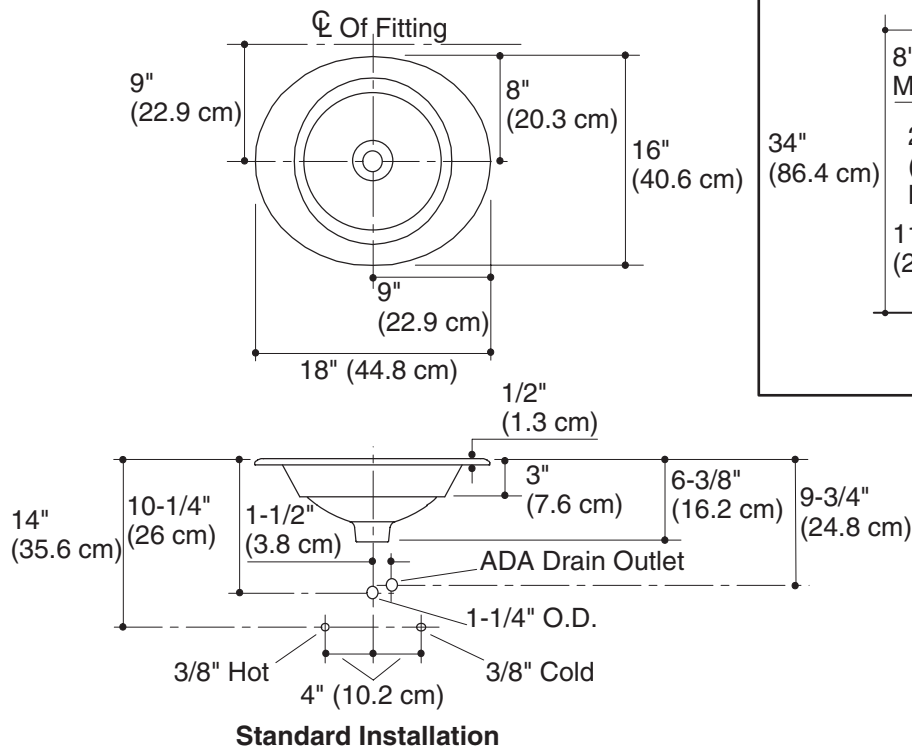
IRON BELL™

Technical Information

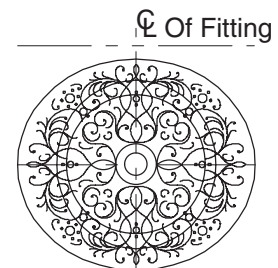
Fixture*:	
Basin area	13" (33 cm) x 12" (30.5 cm)
Water depth	4-3/8" (11.1 cm)
Drain hole	1-3/4" (4.4 cm) D.
*Approximate measurements for comparison only.	
Included Components:	
Cut-out template	115887-7

Installation Notes

Install this product according to the installation guide.
Product does not have overflow.



K-14225



Product Diagram