

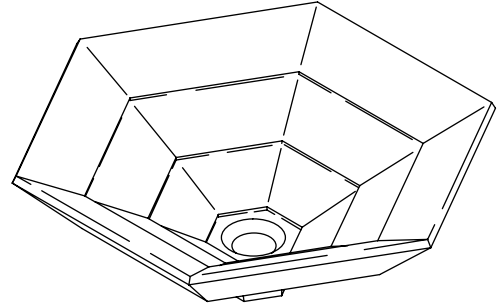
#### Features

- Vitreous china
- Above-the-counter
- Hexagonal sculptured basin
- ADA compliant when distance from rim to floor is 34" (86.4 cm)
- 19-5/8" (49.8 cm) x 17-1/8" (43.5 cm)

#### Codes/Standards Applicable

Specified model meets or exceeds the following:

- ADA
- ASME A112.19.2
- IAPMO/UPC
- CSA B45.0
- CSA B45.1
- CSA International
- ICC/ANSI A117.1



#### Colors/Finishes

- 0: White
- Other: Refer to Price Book for additional colors/finishes

#### Accessories:

- CP: Polished Chrome
- Other: Refer to Price Book for additional colors/finishes

#### Specified Model

Model	Description	Colors/Finishes	
K-2203	Lavatory	<input type="checkbox"/> 0	<input type="checkbox"/> Other_____
K-2203-G	Lavatory with glazed underside	<input type="checkbox"/> 0	<input type="checkbox"/> Other_____

Recommended Accessories			
K-7700	Touch activated drain with tailpiece <b>OR</b>	<input type="checkbox"/> CP	<input type="checkbox"/> Other_____
K-7702	Pop-up drain with undercounter-mount actuator <b>OR</b>	<input type="checkbox"/> CP	<input type="checkbox"/> Other_____
K-7710	Drain <b>OR</b>	<input type="checkbox"/> CP	
K-7715	Grid drain	<input type="checkbox"/> CP	<input type="checkbox"/> Other_____
K-9018	P-Trap	<input type="checkbox"/> CP	<input type="checkbox"/> Other_____

#### Product Specification

The lavatory shall be 19-5/8" (49.8 cm) in length, and 17-1/8" (43.5 cm) in width. Lavatory shall be made of vitreous china. Lavatory shall be for above-the-counter installations. Lavatory shall feature a hexagonal sculptured basin. Lavatory shall be ADA compliant when distance from rim to floor is 34" (86.4 cm). Lavatory shall be Kohler Model K-2203-\_\_\_\_ or K-2203-G-\_\_\_\_.

# HEX STRATA™

## Technical Information

Fixture*:	
Basin area	19" (48.3 cm) x 16" (40.6 cm)
Water depth	4-1/4" (10.8 cm)
Drain hole	1-3/4" (4.4 cm) D.
*Approximate measurements for comparison only.	

Included components:	
Adjustable linkage	84474
Cut-out template	1000254-7

## Installation Notes

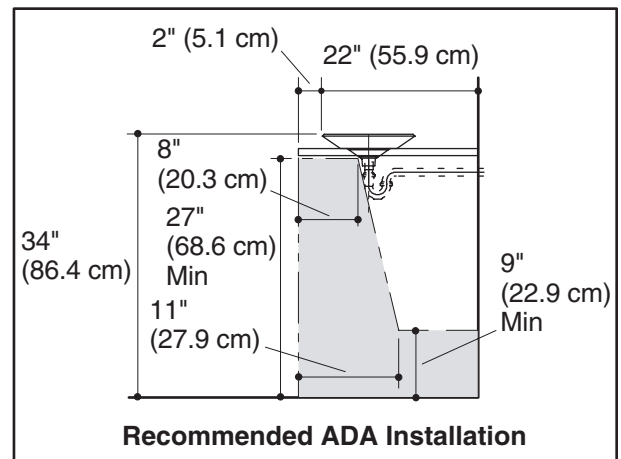
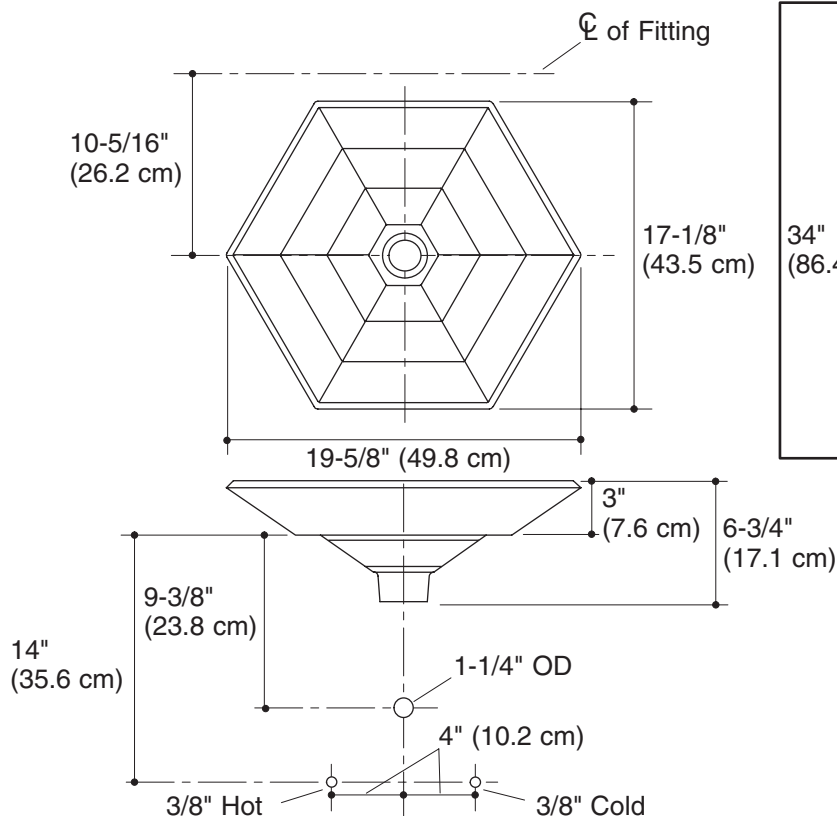
Install this product according to the installation guide.

Product does not have an overflow.

Spout must be a minimum of 5" (12.7 cm) long for adequate clearance into lavatory when installed with centerline as shown.

Spout must be tall enough to clear the 3" (7.6 cm) rim height and provide a 1" (2.5 cm) air gap per ASME A112.1.2.

**NOTICE:** Countertop manufacturer or cutter **must** use the cut-out template provided with the product, or a current one provided by Kohler Co. Call 1-800-4-KOHLER to order. Kohler Co. is not responsible for cutout errors when the incorrect cut-out template is used.



## Product Diagram