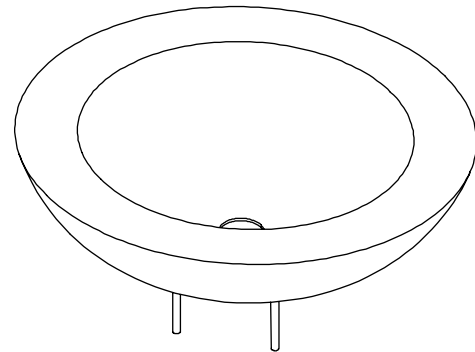


### VESSELS LAVATORY K-2277

ADA

#### Features

- 18 gauge stainless steel
- Above-the-counter installation
- Satin finish (-S)
- Mirror finish (-M)
- For use with wall-mount faucets
- ADA compliant when distance from rim to floor is 34" (86.4 cm)
- Without overflow
- PVC tube and drain gasket included to cover the overflow hole in the faucet drain assembly
- Sealant included
- Includes installation hardware
- 19-1/4" (48.9 cm) diameter



#### Codes/Standards Applicable

Specified model meets or exceeds the following:

- CSA B45.0
- CSA B45.4
- CSA International
- ICC/ANSI A117.1
- ADA
- ASME A112.19.3

#### Colors/Finishes

- NA: None applicable

#### Accessories:

- CP: Polished Chrome
- NA: None applicable
- Other: Refer to Price Book for additional colors/finishes

#### Specified Model

Model	Description	Colors/Finishes
K-2277-M	Lavatory with mirror finish	<input type="checkbox"/> NA
K-2277-S	Lavatory with satin finish	<input type="checkbox"/> NA

Recommended Accessories			
K-T196	Falling Water faucet trim with 8-1/4" (21 cm) spout <b>OR</b>	<input type="checkbox"/> CP	<input type="checkbox"/> Other _____
K-T197	Falling Water faucet trim with 9" (22.9 cm) spout <b>OR</b>	<input type="checkbox"/> CP	<input type="checkbox"/> Other _____
K-T198	Falling Water faucet trim with 10-1/4" (26 cm) spout <b>OR</b>	<input type="checkbox"/> CP	<input type="checkbox"/> Other _____
K-T199	Falling Water faucet trim with 10" (25.4 cm) spout	<input type="checkbox"/> CP	<input type="checkbox"/> Other _____
K-307-K	Single control ceramic valve*		<input type="checkbox"/> NA
K-9018	P-Trap	<input type="checkbox"/> CP	<input type="checkbox"/> Other _____

\*Valve must be ordered to complete Falling Water faucet.

#### Product Specification

The lavatory shall be made of 18-gauge stainless steel. Lavatory shall be 19-1/4" (48.9 cm) in diameter. Lavatory shall be for above-the-counter installation. Lavatory shall be for use with wall-mount faucets. Lavatory shall be available with a satin finish (-S), or mirror finish (-M). Lavatory shall include installation hardware. Lavatory be without overflow. Lavatory shall include a PVC tube and drain gasket to cover overflow hole in the faucet drain assembly. Lavatory shall include sealant. Lavatory shall be ADA compliant when distance from rim to floor is 34" (86.4 cm). Lavatory shall be Kohler Model K-2277-M-NA or K-2277-S-NA.

# TIMPANI™

## Recommended Accessories

K-7702	Pop-up drain <b>OR</b>	<input type="checkbox"/> CP	<input type="checkbox"/> Other_____
K-7710	Drain <b>OR</b>	<input type="checkbox"/> CP	<input type="checkbox"/> Other_____
K-7715	Grid drain	<input type="checkbox"/> CP	<input type="checkbox"/> Other_____

## Technical Information

Fixture*:	
Basin area	15-3/4" (40 cm) D.
Water depth	4-1/2" (11.4 cm)
Drain hole	1 5/8" (4.1 cm) D.
*Approximate measurements for comparison only.	

Included components:	
Drain gasket	33507
Tube	1011037-CP
Basin clamp assembly	88007
Cut-out template	1002988-7

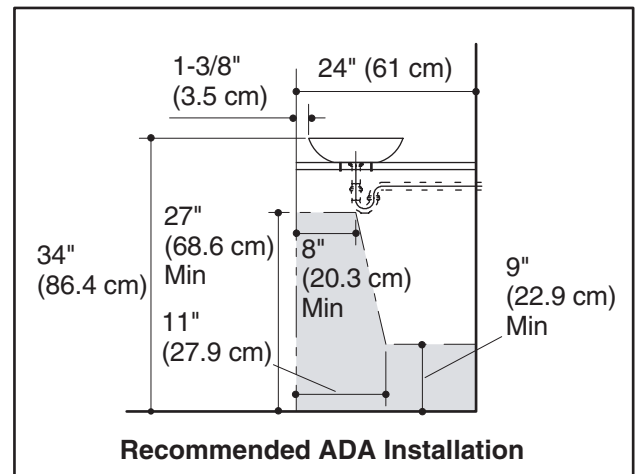
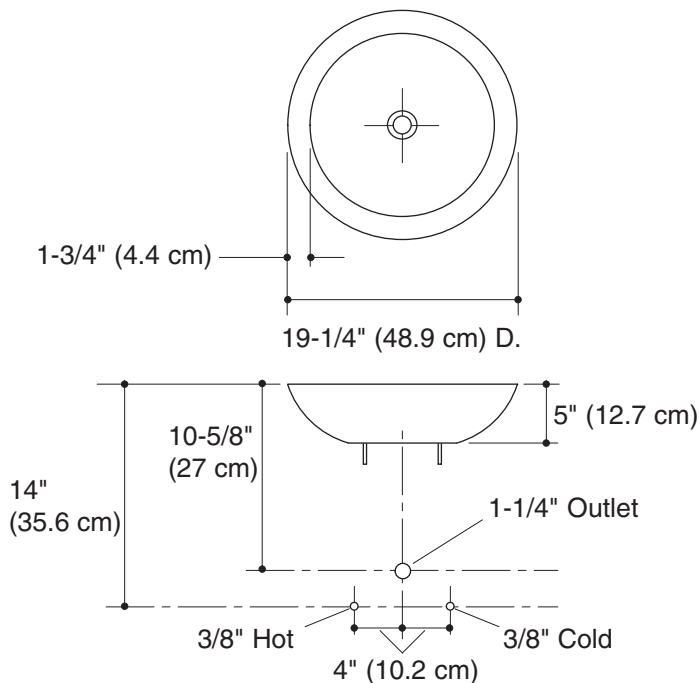
## Installation Notes

Install this product according to the installation guide.

Spout must be a minimum of 8" (20.3 cm) long for adequate clearance into lavatory when installed with centerline as shown.

**NOTICE:** This product rests on the countertop. Consider the height of the product when designing the installation.

**NOTICE:** The countertop manufacturer or cutter **must** use the cut-out template provided with the product, or a current one provided by Kohler Co. (call 1-800-43 FOCUS). Kohler Co. is not responsible for cut-out errors when the incorrect cut-out template is used.



## Product Diagram