

CAMBER® ARTIST EDITIONS

Features

- Vitreous china
- Self-rimming
- Available without holes or with 10" (25.4 cm) centers or 12-3/8" (31.4 cm) centers
- 21" (53.3 cm) x 20-7/8" (53 cm)

COUNTERTOP LAVATORY

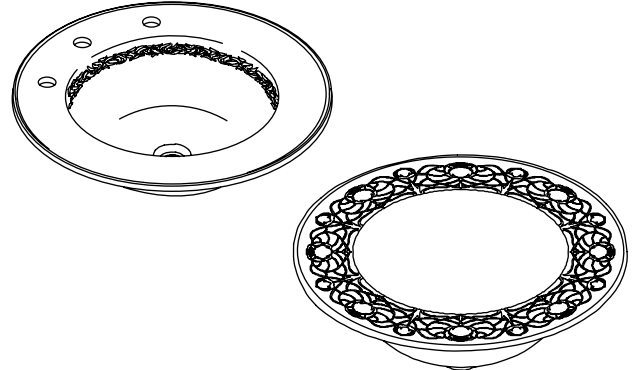
K-14282

ALSO K-14283, K-14284

Codes/Standards Applicable

Specified model meets or exceeds the following:

- ASME A112.19.2
- IAPMO/UPC
- CSA B45



Colors/Finishes

- 0: White
- W2: Earthen White
- Other: Refer to Price Book for additional colors/finishes

Accessories:

- CP: Polished Chrome

Specified Model

Model	Description	Colors/Finishes	
K-14282	Water Lilies™ design without holes	<input type="checkbox"/> 0	<input type="checkbox"/> Other ____
K-14282-12	Water Lilies design with 12-3/8" (31.4 cm) centers	<input type="checkbox"/> 0	<input type="checkbox"/> Other ____
K-14283-BL	Plum Blossom™ design without holes	<input type="checkbox"/> 0	
K-14283-MG	Mythical Beasts™ design with gold border without holes	<input type="checkbox"/> 0	
K-14283-MP	Mythical Beasts design with platinum border without holes	<input type="checkbox"/> 0	
K-14283-WR	Water Rhythm® design without holes	<input type="checkbox"/> W2	
K-14284-BL	Plum Blossom design with 10" (25.4 cm) centers	<input type="checkbox"/> 0	
K-14284-MG	Mythical Beasts design with gold border and 10" (25.4 cm) centers	<input type="checkbox"/> 0	
K-14284-MP	Mythical Beasts design with platinum border and 10" (25.4 cm) centers	<input type="checkbox"/> 0	
K-14284-WR	Water Rhythm design with 10" (25.4 cm) centers	<input type="checkbox"/> W2	

Recommended Accessories

K-8998	P-Trap	<input type="checkbox"/> CP
--------	--------	-----------------------------

Product Specification

The self-rimming lavatory shall be 21" (53.3 cm) in length and 20-7/8" (53 cm) in width. Lavatory shall be made of vitreous china. Lavatory shall be available without holes, with 10" (25.4 cm) centers, or with 12-3/8" (31.4 cm) centers. Lavatory shall be Kohler Model K-_____-_____-_____.

CAMBER® ARTIST EDITIONS

Technical Information

Fixture*:	
Basin area	14" (35.6 cm) D.
Water depth	5" (12.7 cm)
Drain hole	1-3/4" (4.4 cm) D.
Faucet holes	1-3/8" (3.5 cm) D.
Spout hole	1-3/16" (3 cm) D.
*Approximate measurements for comparison only.	

Included components:	
Adjustable linkage	40372
Cut-out template	86562-7

Installation Notes

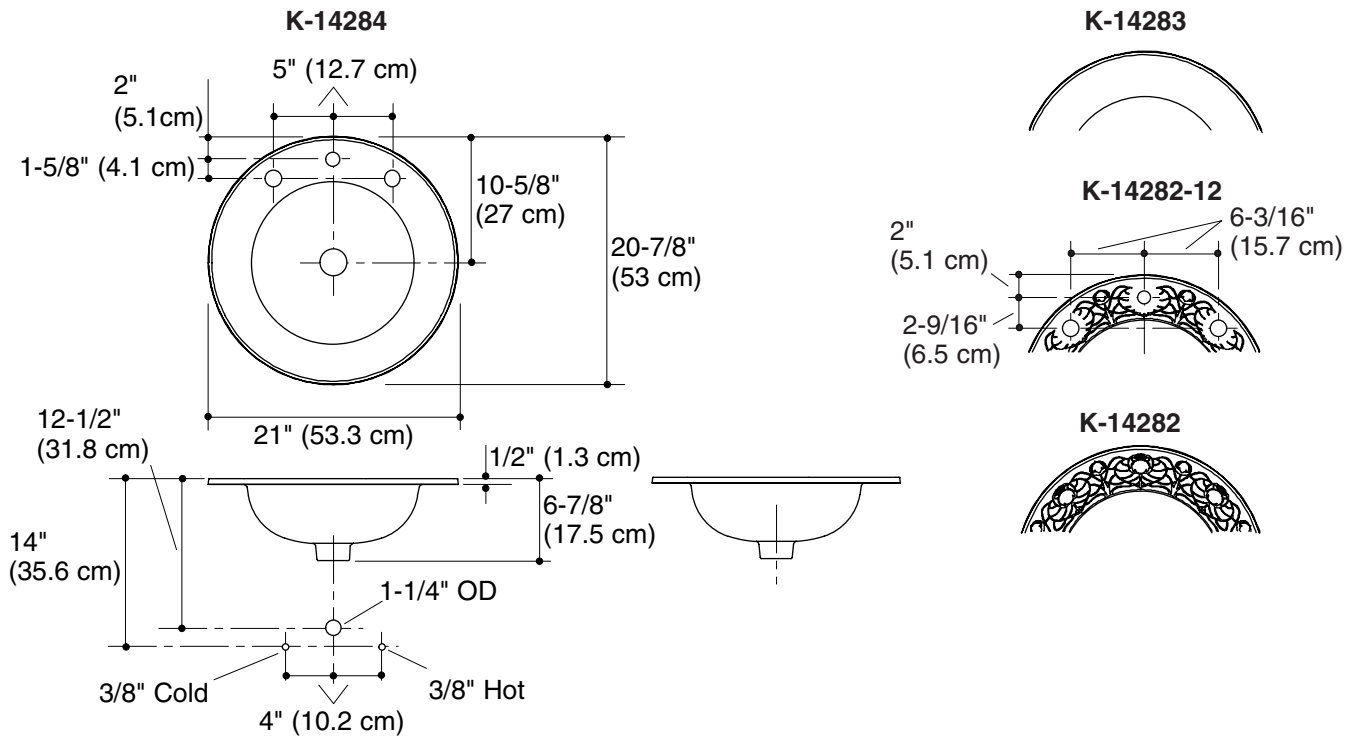
Install this product according to the installation guide.

IMPORTANT! Due to the large size of the lavatory, a 21-1/8" (53.7 cm) wide flat surface is required for installation on a vanity top.

Lavatories without faucet holes require wall-mount faucets with 7" (17.8 cm) minimum spout length.

Supply dimensions are based on a 12" (30.5 cm) riser which may require cutting.

NOTICE: Countertop manufacturer or cutter **must** use the cut-out template provided with the product, or a current one provided by Kohler Co. (call 1-800-4-KOHLER). Kohler Co. is not responsible for cut-out errors when the incorrect cut-out template is used.



Product Diagram