

### Product Information

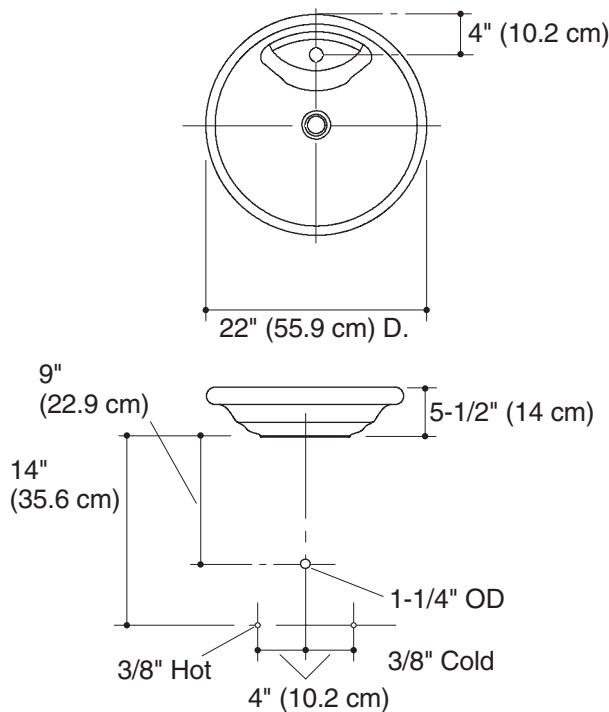
Applicable product:	
Lavatory – above-the-counter	K-2333-1
Fixture is ADA compliant when installed per the recommended ADA installation. <span style="float: right;"><b>ADA</b></span>	
Required accessories:	
Pop-up drain with undercounter mount actuator	K-7114
Fixture*:	
Basin area	12-5/8" (32.1 cm) x 16-3/8" (41.6 cm)
Water depth	3-1/8" (7.9 cm)
Drain hole	1-3/4" (4.4 cm) D.
* Approximate measurements for comparison only.	
Included components:	
Cut-out template	1023122-7

### Installation Notes

Install this product according to the installation guide.

Product does not have an overflow.

Spout must be tall enough to provide a 1" (2.5 cm) min air gap per ASME A112.1.2.



**Standard Installation**

