

Features

- Marble
- Without overflow
- Above-the-counter
- ADA compliant
- 22" (55.9 cm) diameter

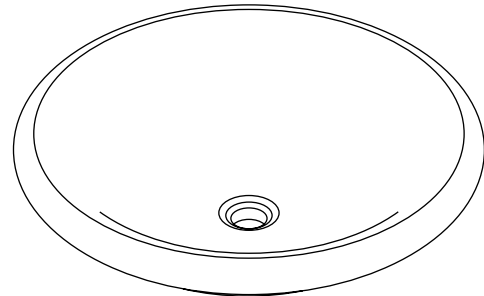
MARBLE LAVATORY K-2333

ADA

Codes/Standards Applicable

Specified model meets or exceeds the following:

- ADA



Colors/Finishes

- WH: White Carrera Marble

Accessories:

- CP: Polished Chrome
- Other: Refer to Price Book for additional colors/finishes

Specified Model

Model	Description	Colors/Finishes	
K-2333	Lavatory	<input type="checkbox"/> WH	
Required Accessories			
K-7725	Lavatory drain with non-removable metal stopper without overflow OR	<input type="checkbox"/> CP	<input type="checkbox"/> Other_____
K-7726	Lavatory grid drain without overflow	<input type="checkbox"/> CP	<input type="checkbox"/> Other_____
Recommended Accessories			
K-T198	Falling Water® faucet trim with 10-1/4" (26 cm) spout OR	<input type="checkbox"/> CP	<input type="checkbox"/> Other_____
K-T199	Falling Water faucet trim with 12" (30.5 cm) spout	<input type="checkbox"/> CP	<input type="checkbox"/> Other_____
K-9018	P-Trap	<input type="checkbox"/> CP	<input type="checkbox"/> Other_____

Product Specification

The lavatory shall be 22" (55.9 cm) in diameter. Lavatory shall be made of marble. Lavatory shall be above-the-counter. Lavatory shall be without overflow. Lavatory shall be Kohler Model K-2333-WH.

VESSELS BOTTICELLI™

Technical Information

Fixture:*	basin area	water depth
Lavatory	22" (55.9 cm) D.	4-1/2" (11.4 cm)
Drain Hole	1-3/4" (4.4 cm) D.	
* Approximate measurements for comparison only.		
Product is ADA compliant		ADA
Included Components:		
Cut-out template	1023121-7	

Installation Notes

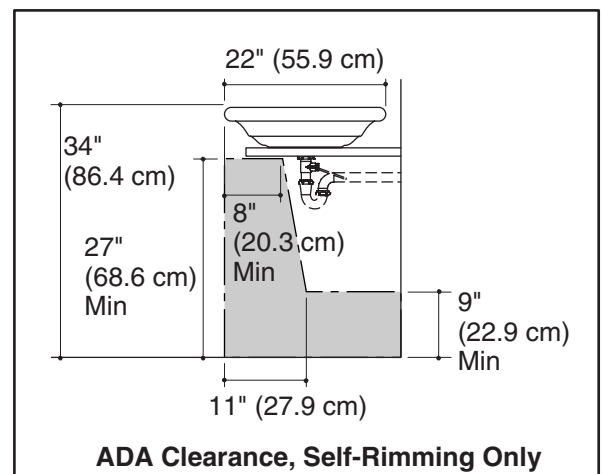
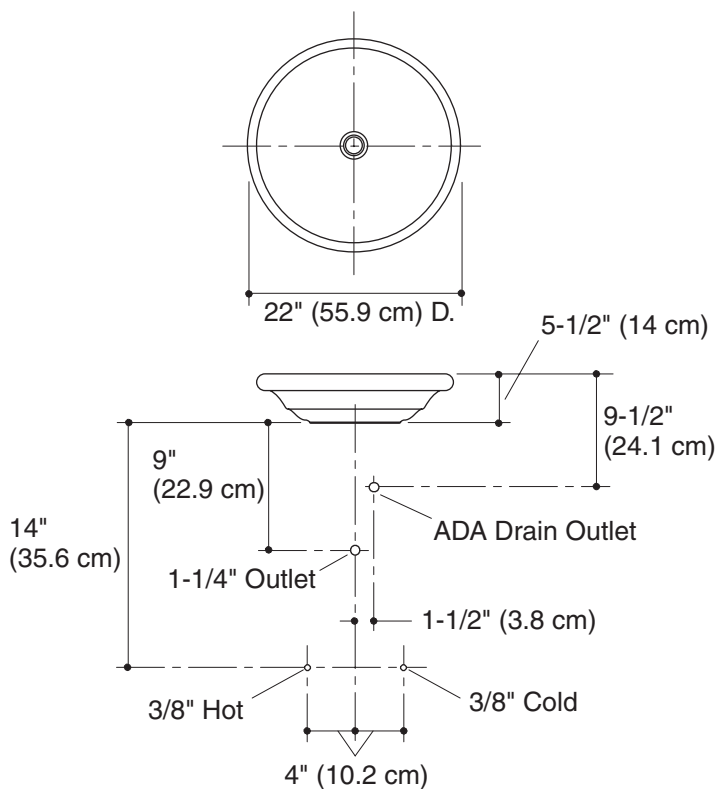
Install this product according to the installation guide.

Product does not have an overflow.

Choose a faucet that will provide adequate clearance and will direct the water stream to the center of the lavatory.

IMPORTANT! Product rests on a countertop. Consider height of product when designing installation.

NOTICE: Countertop manufacturer or cutter must use the cutout template provided with the product, or a current one provided by Kohler (call 1-800-4-KOHLER). Kohler is not responsible for cutout errors when incorrect cut-out template is used.



Product Diagram