

NATURE'S CHEMISTRY™ BOTTICELLI™

VESSELS LAVATORY K-2333-1

ADA

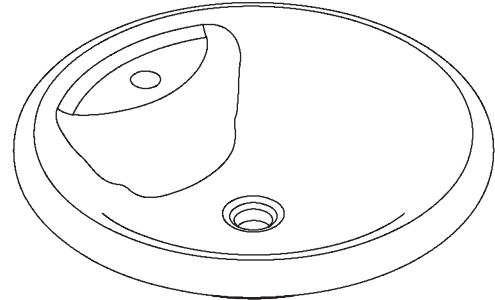
Features

- Marble
- Above-the-counter installation
- Without overflow
- ADA compliant when distance from rim to floor is 34" (86.4 cm)
- Integral single-hole faucet deck
- Rolled rim
- 22" (55.9 cm) diameter

Codes/Standards Applicable

Specified model meets or exceeds the following:

- ADA
- ICC/ANSI A117.1



Colors/Finishes

- WH: White Carrera Marble

Accessories

- CP: Polished Chrome
- Other: Refer to Price Book for additional colors/finishes

Specified Model

Model	Description	Colors/Finishes	
K-2333-1	Lavatory – above-the-counter	<input type="checkbox"/> WH	
Required Accessories			
K-7114	Pop-up drain with undercounter mount actuator	<input type="checkbox"/> CP	<input type="checkbox"/> Other_____
Recommended Accessories			
K-139	Antique™ single-hole lavatory faucet	<input type="checkbox"/> CP	<input type="checkbox"/> Other_____
K-9018	P-Trap	<input type="checkbox"/> CP	<input type="checkbox"/> Other_____

Product Specification

The vessels lavatory shall be made of marble. Lavatory shall be 22" (55.9 cm) in diameter. Product shall be for above-the-counter installation. Product shall feature an integral single-hole faucet deck and rolled rim. Lavatory shall be without overflow. Lavatory shall be ADA compliant when distance from rim to floor is 34" (86.4 cm). Lavatory shall be Kohler Model K-2333-1-WH.

NATURE'S CHEMISTRY™ BOTTICELLI™

Technical Information

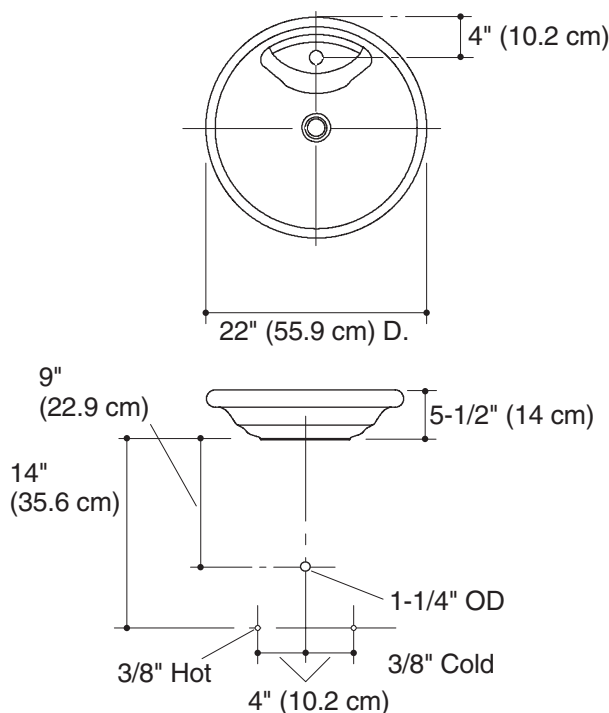
Fixture*:	
Basin area	12-5/8" (32.1 cm) x 16-3/8" (41.6 cm)
Water depth	3-1/8" (7.9 cm)
Drain hole	1-3/4" (4.4 cm) D.
* Approximate measurements for comparison only.	
Included components:	
Cut-out template	1023122-7

Installation Notes

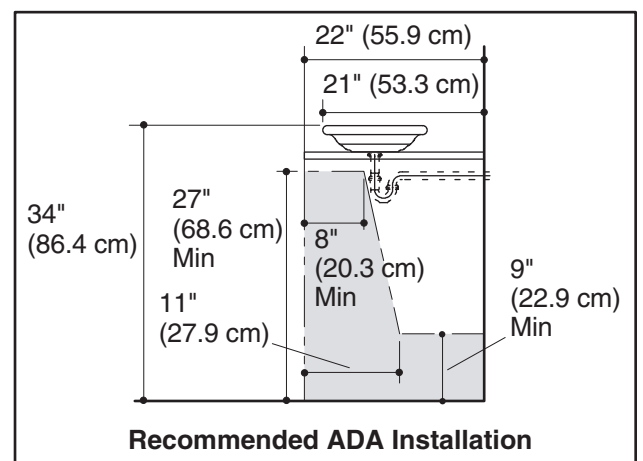
Install this product according to the installation guide.

Product does not have an overflow.

Spout must be tall enough to provide a 1" (2.5 cm) min air gap per ASME A112.1.2.



Standard Installation



Recommended ADA Installation

Product Diagram