

CAST IRON TOP AND BASIN LAVATORY **K-3053**

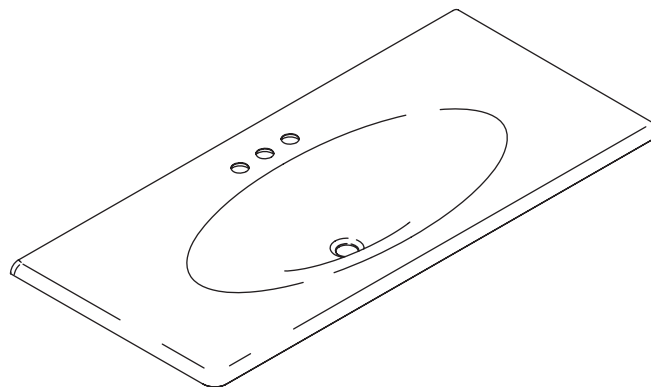
Features

- KOHLER cast iron
- Integrated top and basin
- Without overflow
- 8" (20.3 cm) centers (-8), 4" (10.2 cm) centers (-4), or single-hole (-1)
- 49-5/8" (126 cm) x 22-1/4" (56.5 cm)

Codes/Standards Applicable

Specified model meets or exceeds the following:

- ASME A112.19.1M
- IAPMO/UPC
- CSA International
- CSA B45



Colors/Finishes

- 0: White
- Other: Refer to Price Book for additional colors/finishes

Specified Model

Model	Description	Colors/Finishes	
K-3053-1	Cast iron top and basin lavatory with single-hole	<input type="checkbox"/> 0	<input type="checkbox"/> Other_____
K-3053-4	Cast iron top and basin lavatory with 4" (10.2 cm) centers	<input type="checkbox"/> 0	<input type="checkbox"/> Other_____
K-3053-8	Cast iron top and basin lavatory with 8" (20.3 cm) centers	<input type="checkbox"/> 0	<input type="checkbox"/> Other_____

Recommended Vanity					
K-2494	Vanity, 48" (121.9 cm) length		<input type="checkbox"/> F40		
K-2495	Vanity, 48" (121.9 cm) length			<input type="checkbox"/> F41	
K-2496	Vanity, 48" (121.9 cm) length				<input type="checkbox"/> F42
K-2497	Vanity, 48" (121.9 cm) length	<input type="checkbox"/> F39			

Recommended Accessories			
K-9018	P-Trap	<input type="checkbox"/> CP	<input type="checkbox"/> Other_____

Product Specification

The lavatory shall be 49-5/8" (126 cm) in length and 22-1/4" (56.5 cm) in width. Lavatory shall be made of cast iron. Lavatory shall have integrated top and basin. Lavatory shall be without overflow. Lavatory shall be available with 8" (20.3 cm) centers (-8), 4" (10.2 cm) centers (-4), or single-hole (-1). Lavatory shall be Kohler Model K-3053-____-____.

IRON/IMPRESSIONS™

Technical Information

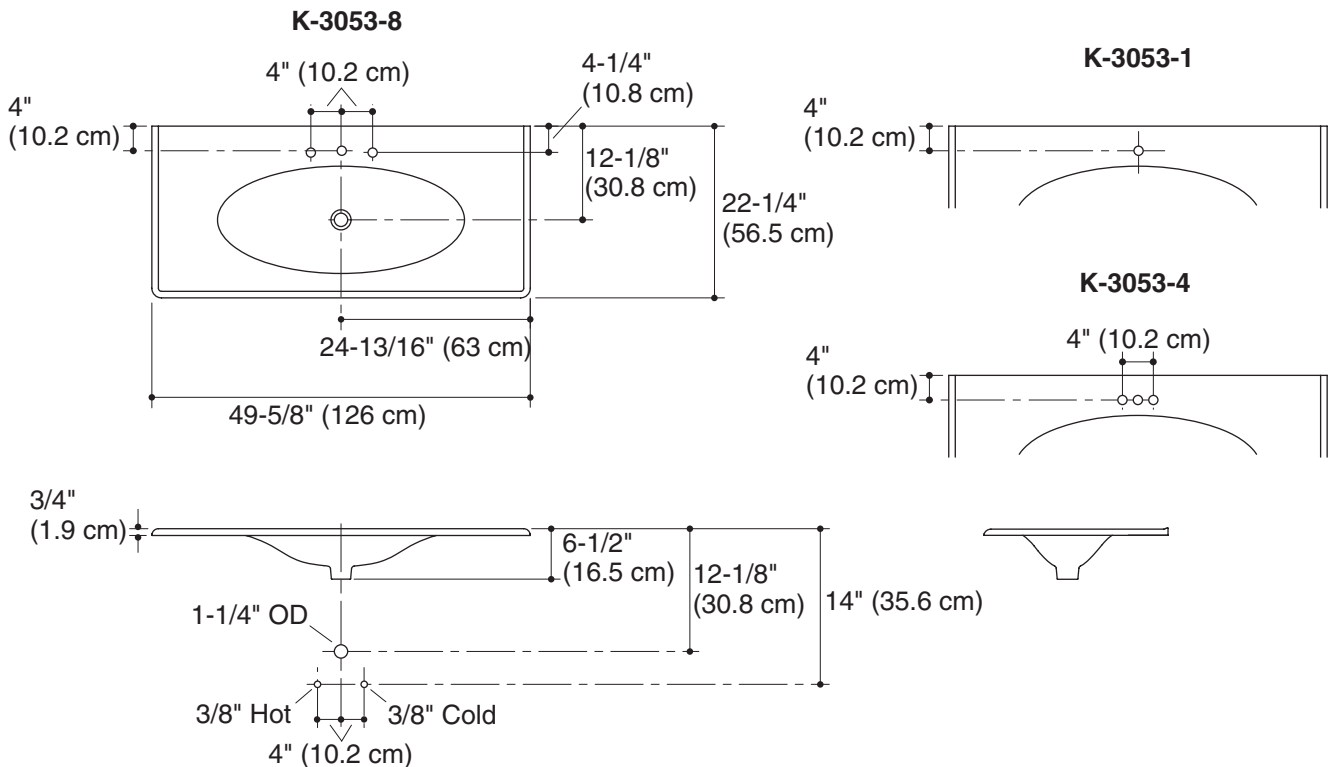
Fixture*:	
Lavatory	
Basin area	32" (81.3 cm) x 13-7/8" (35.2 cm)
Water depth	4-1/2" (11.4 cm)
Drain hole	1-3/4" (4.4 cm) D.
* Approximate measurements for comparison only.	

Installation Notes

NOTE: When selecting a faucet for this lavatory, ensure the faucet has a spout reach of 4-1/2" (11.4 cm) to 5" (12.7 cm) and has a spout height of 3" (7.6 cm) to 6" (15.2 cm).

Install this product according to the installation guide.

Product does not have an overflow.



Product Diagram

IRON/IMPRESSIONS™ CAST IRON TOP AND BASIN LAVATORY

Page 2 of 2
1066475-4-B

THE BOLD LOOK
OF **KOHLER**®