

Product Information

Applicable product:	
Undercounter lavatory	K-2838
Lavatory is ADA compliant when installed according to ADA guidelines.	
ADA	

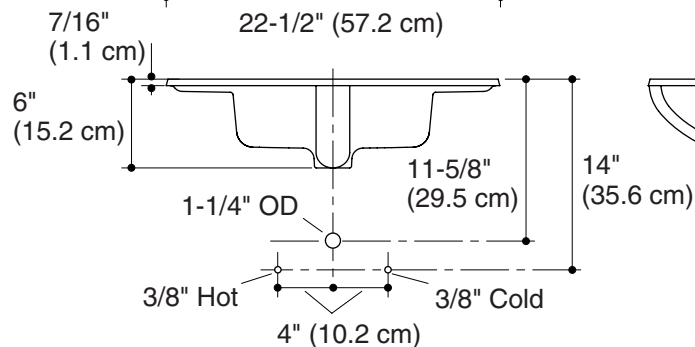
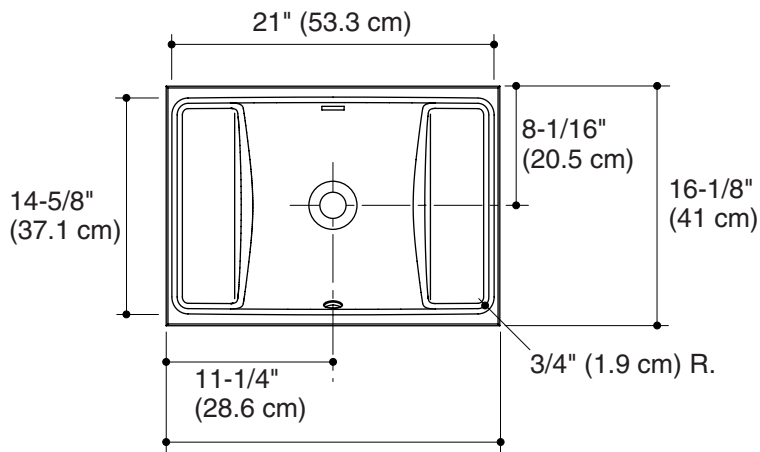
Fixture*:	
Basin area	21" (53.3 cm) x 14-5/8" (37.1 cm)
Water depth	3-1/4" (8.3 cm)
Outlet	1-11/16" (4.3 cm) D.
* Approximate measurements for comparison only.	

Included components:	
Overflow ferrule (1)	84896
Basin clamp assembly	52047
Cutout template	1070407-7

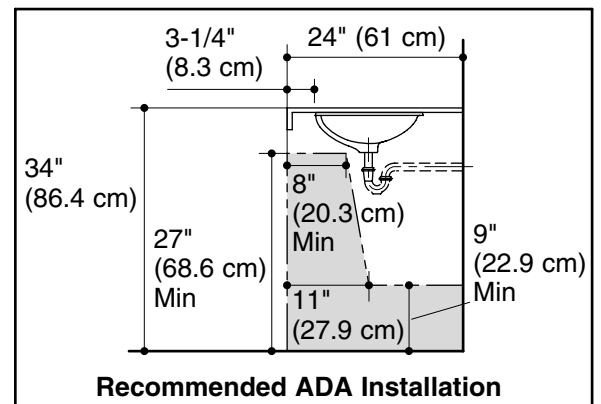
Installation Notes

Install this product according to the installation guide.

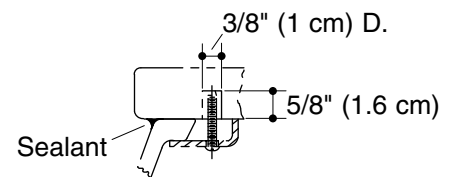
Fixture dimensions are nominal and conform to tolerances in ASME Standard A112.191.M.



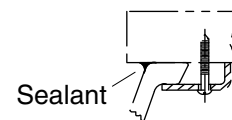
Standard Installation



Recommended ADA Installation



Marble Installation



Wood Installation