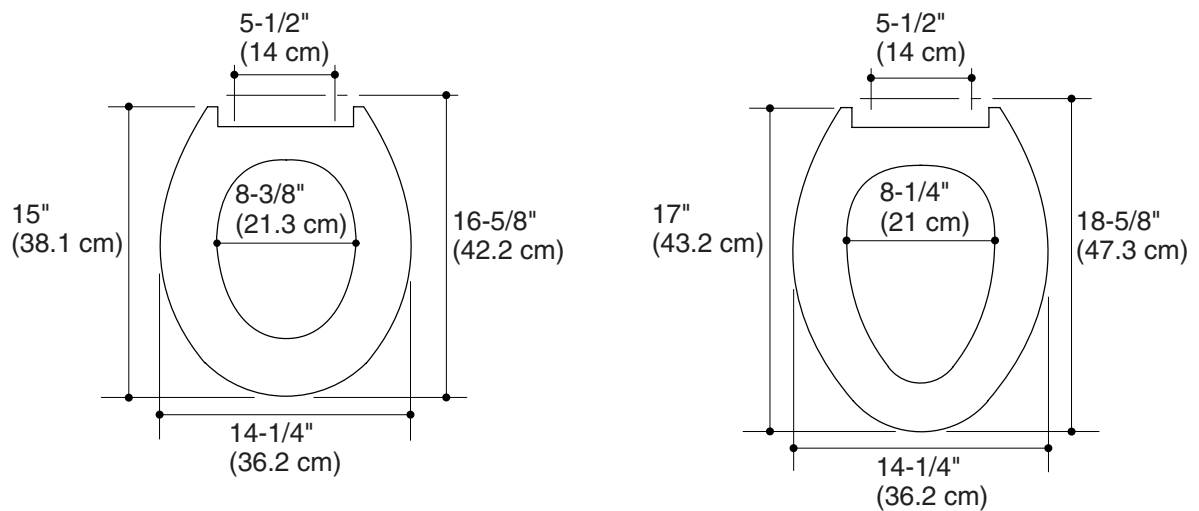


Installation Notes

Install this product according to the installation guide.



Product Diagram