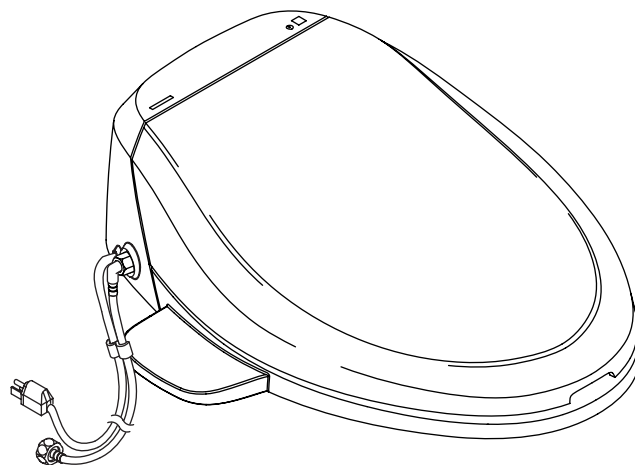


Features

- Elongated closed front seat fits most elongated toilets
- 2 spray wands with adjustable water pressure, temperature, and pulsate functions
- Heated seat with adjustable temperature settings
- Automatic night light function to illuminate the bowl
- Energy save function
- Anti-microbial materials used in seat and nozzles
- Quick-release design for ease of cleaning
- Includes color-matched keypad, power cord, and water supply hoses

TOILET SEAT WITH BIDET FUNCTIONALITY K-4711



Codes/Standards Applicable

Specified model meets or exceeds the following:

- IAPMO/cUPC
- ASME 112.4.2
- ANSI Z124.5
- Underwriter's Laboratories (UL, cUL)

Colors/Finishes

- 0: White
- Other: Refer to Price Book for additional colors/finishes

Specified Model

Model	Description	Colors/Finishes	
K-4711	Toilet seat with bidet functionality	<input type="checkbox"/> 0	<input type="checkbox"/> Other _____

Product Specification:

The toilet seat with bidet functionality shall fit most elongated toilets. Toilet seat shall have 2 spray wands with adjustable water pressure, temperature, and pulsate functions. This toilet seat shall be of energy saving design and include a heated seat temperature control. Toilet seat shall have an automatic night light function. Toilet seat shall be constructed of anti-microbial materials and incorporate a quick-release design for ease of cleaning. Toilet seat shall include a color-matched keypad, power cord, and water supply hoses. Toilet shall be Kohler Model K-4711-_____.

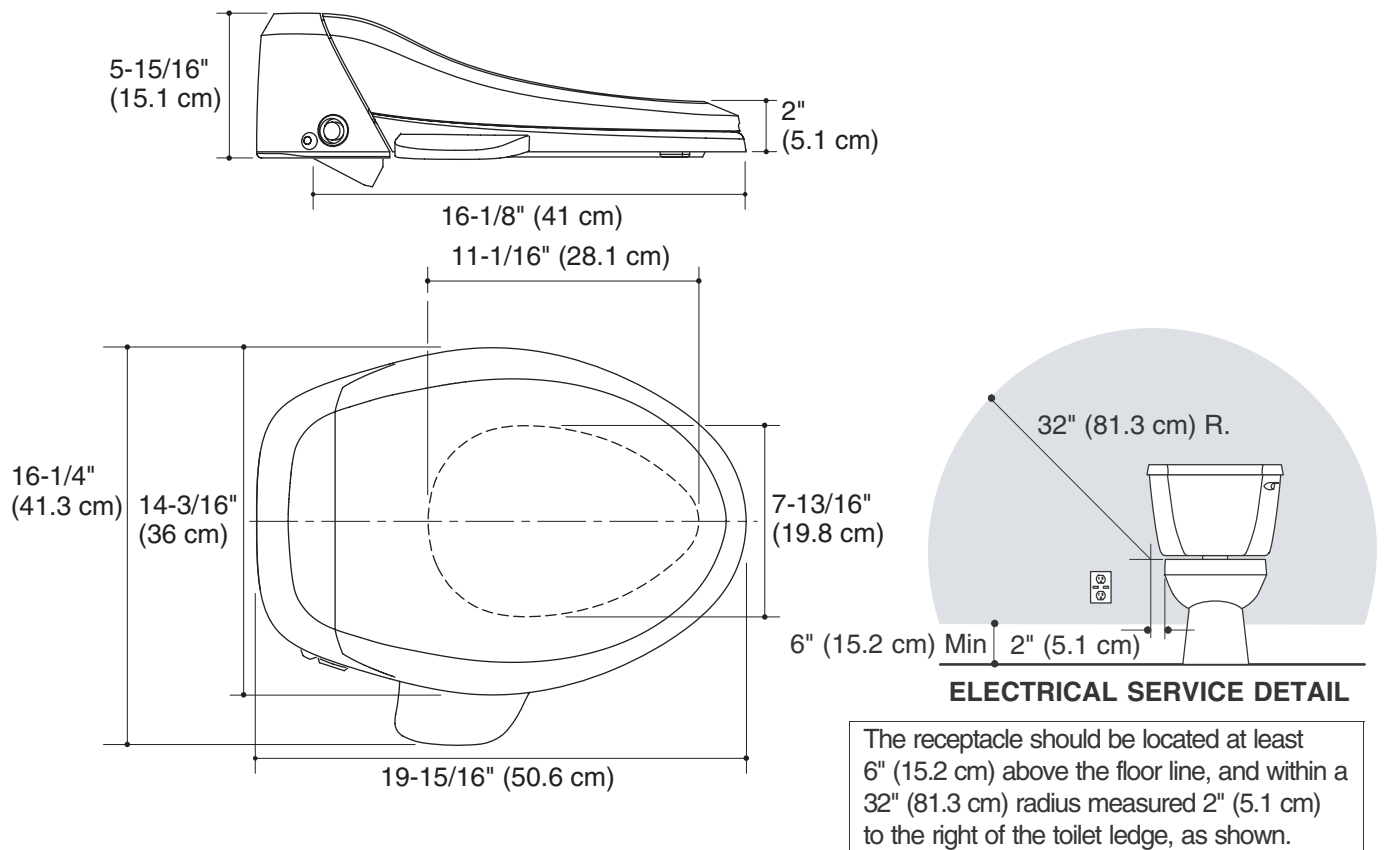
C³_{TM} - 100

Technical Information

Fixture:	
Water supply pressure	20 psi (1.38 bar) - 80 psi (5.52 bar)
Electrical rating	120 VAC / 60 Hz / 560 W
Power cord length	46" (1.17 m)
A dedicated circuit protected with a Class A Ground-Fault Circuit-Interrupter (GFCI) or Earth-Leakage Circuit Breaker (ELCB) is required.	

Installation Notes

Install this product according to the installation guide.



Product Diagram