

## ROUND-FRONT TOILET K-3483

### Features

- Vitreous china
- 12" (30.5 cm) rough-in
- 2" (5.1 cm) glazed trapway
- Combination toilet
- Round-front
- Includes polished chrome trip lever
- Ingenium® flushing system
- Less seat and supply
- With right-hand trip lever (-RA)
- 1.6 gpf (6 lpf)
- 10-1/2" (26.7 cm) x 8-7/8" (22.5 cm) water area
- 26-3/4" (67.9 cm) x 17" (43.2 cm) x 29" (73.7 cm)



### Codes/Standards Applicable

Specified model meets or exceeds the following:

- ASME A112.19.2
- Energy Policy Act of 1992
- IAPMO/UPC
- CSA B45.0
- CSA B45.1
- CSA International

### Colors/Finishes

- 0: White
- Other: Refer to Price Book for additional colors/finishes

### Accessories

- 0: White
- CP: Polished Chrome
- PB: Vibrant® Polished Brass
- Other: Refer to Price Book for additional colors/finishes

### Specified Model

Model	Description	Trip Lever	Colors/Finishes	
K-3483	Round-front bowl toilet	left-hand	<input type="checkbox"/> 0	<input type="checkbox"/> Other_____
K-3483-RA	Round-front bowl toilet	right-hand	<input type="checkbox"/> 0	<input type="checkbox"/> Other_____

#### Recommended Accessories

K-4639	Cachet™ Quiet-Close™ round-front toilet seat	<input type="checkbox"/> 0	<input type="checkbox"/> Other_____
K-7637	Angle supply with stop – 3/8" NPT	<input type="checkbox"/> CP	<input type="checkbox"/> PB <input type="checkbox"/> Other_____

#### Optional Accessories

K-9438	Trip lever - non-CP	<input type="checkbox"/> PB	<input type="checkbox"/> Other_____
--------	---------------------	-----------------------------	-------------------------------------

### Product Specification

The round-front combination toilet shall be made of vitreous china. The toilet shall be 26-3/4" (67.9 cm) in length, 17" (43.2 cm) in width, and 29" (73.7 cm) in height with 10-1/2" (26.7 cm) x 8-7/8" (22.5 cm) water area. The toilet shall be 12" (30.5 cm) rough-in. The toilet shall have 2" (5 cm) glazed trapway. The toilet shall be 1.6 gpf (6 lpf) with Ingenium® flushing system. The toilet shall include polished chrome trip lever. The toilet shall be less seat and supply. The toilet shall include right hand trip lever (-RA). The toilet shall be Kohler Model K-3483-\_\_\_\_\_ or K-3483-RA-\_\_\_\_\_.

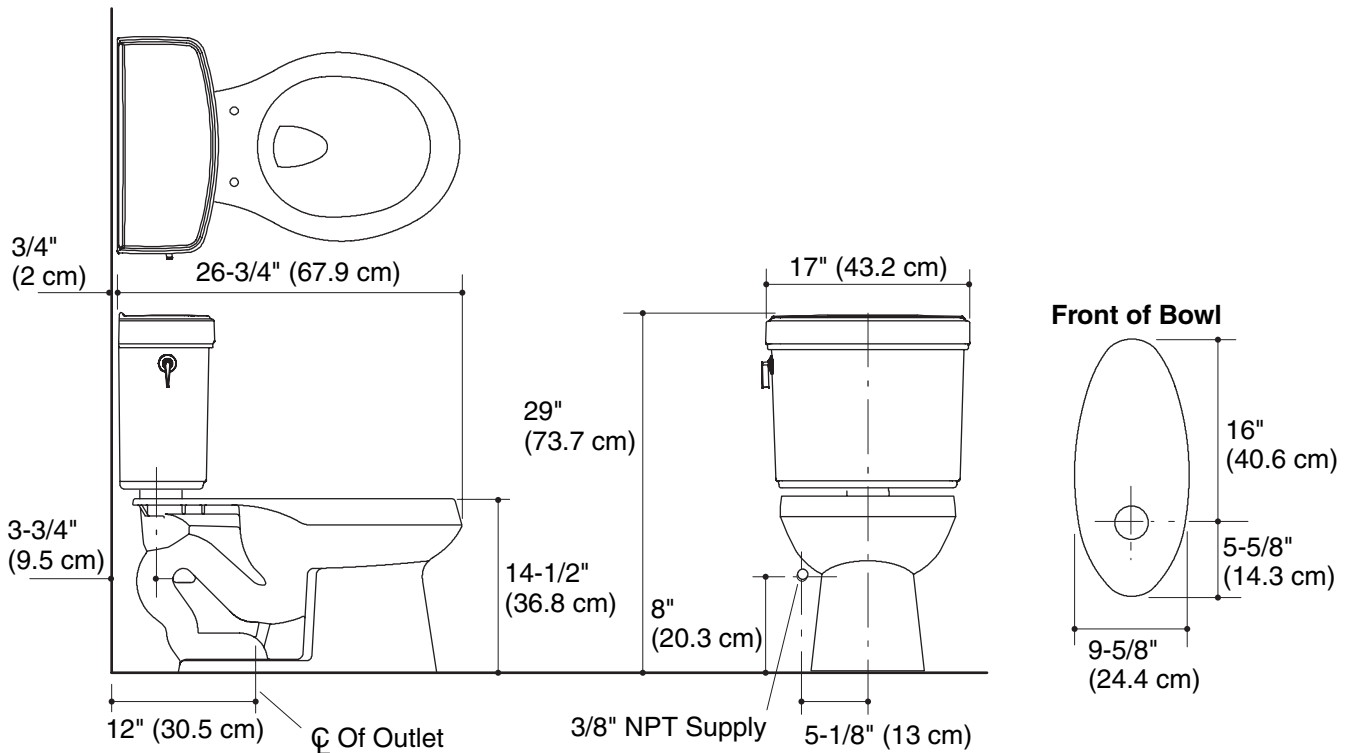
## Technical Information

Fixture:	
Configuration	two-piece, round-front
Water per flush	1.6 gal (6 L)
Passageway	2" (5.1 cm)
Water area	10-1/2" (26.7 cm) x 8-7/8" (22.5 cm)
Water depth from rim	6" (15.2 cm)
Seat post hole centers	5-1/2" (14 cm)

Included components:	
Bowl	K-4277
Tank, left-hand	K-4609
Tank, right-hand	K-4609-RA
Tank cover	1015137
Trip lever, left-hand	85085
Trip lever, right-hand	1007913
Bolt cap accessory pack	1013092

## Installation Notes

Install this product according to the installation guide.



## Product Diagram