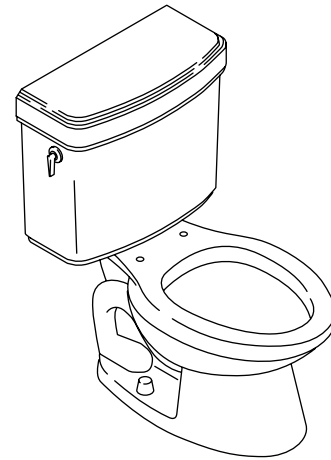


COMFORT HEIGHT™ TOILET K-3485

ADA

Features

- Vitreous china
- 12" (30.5 cm) rough-in
- Comfort Height™
- Combination toilet
- 2" (5.1 cm) glazed trapway
- Includes polished chrome trip lever
- Ingenium® flushing system
- Less seat and supply
- With right-hand trip lever (-RA)
- Elongated bowl
- 1.6 gpf (6 lpf)
- 16-1/2" (41.9 cm) high bowl is ADA compliant when an open-front seat is installed
- 11-1/8" (28.3 cm) x 9-1/2" (24.1 cm) water area
- 29" (73.7 cm) x 17" (43.2 cm) x 31" (78.7 cm)



Codes/Standards Applicable

Specified model meets or exceeds the following:

- ADA
- ASME A112.19.2
- Energy Policy Act of 1992
- IAPMO/UPC
- CSA International
- CSA B45.0
- CSA B45.1

Colors/Finishes

- 0: White
- Other: Refer to Price Book for additional colors/finishes

Accessories

- 0: White
- CP: Polished Chrome
- PB: Vibrant® Polished Brass
- Other: Refer to Price Book for additional colors/finishes

Specified Model

Model	Description	Trip Lever	Colors/Finishes	
K-3485	Elongated front bowl toilet	left-hand	<input type="checkbox"/> 0	<input type="checkbox"/> Other_____
K-3485-RA	Elongated front bowl toilet	right-hand	<input type="checkbox"/> 0	<input type="checkbox"/> Other_____

Recommended Accessories

K-4636	Cachet™ Quiet-Close™ elongated toilet seat	<input type="checkbox"/> 0	<input type="checkbox"/> Other_____
K-7637	Angle supply with stop – 3/8" NPT	<input type="checkbox"/> CP	<input type="checkbox"/> PB <input type="checkbox"/> Other_____

Optional Accessories

K-9438	Trip lever - non-CP	<input type="checkbox"/> PB	<input type="checkbox"/> Other_____
--------	---------------------	-----------------------------	-------------------------------------

Product Specification

The elongated combination toilet shall be made of vitreous china. The toilet shall be 29" (73.7 cm) in length, and 17" (43.2 cm) in width, and 31" (78.7 cm) in height with 11-1/8" (28.3 cm) x 9-1/2" (24.1 cm) water area. The toilet shall be 12" (30.5 cm) rough-in. The toilet shall be at Comfort Height™. The toilet shall have 2" (5 cm) glazed trapway. The toilet shall be 1.6 gpf (6 lpf) with Ingenium® flushing system. The toilet shall be ADA compliant with 16-1/2" (41.9 cm) high bowl when an open-front seat is installed. The toilet shall include polished chrome trip lever. The toilet shall be less seat and supply. The toilet shall include right hand trip lever (-RA). The toilet shall be Kohler Model K-3485-_____ or K-3485-RA-_____.

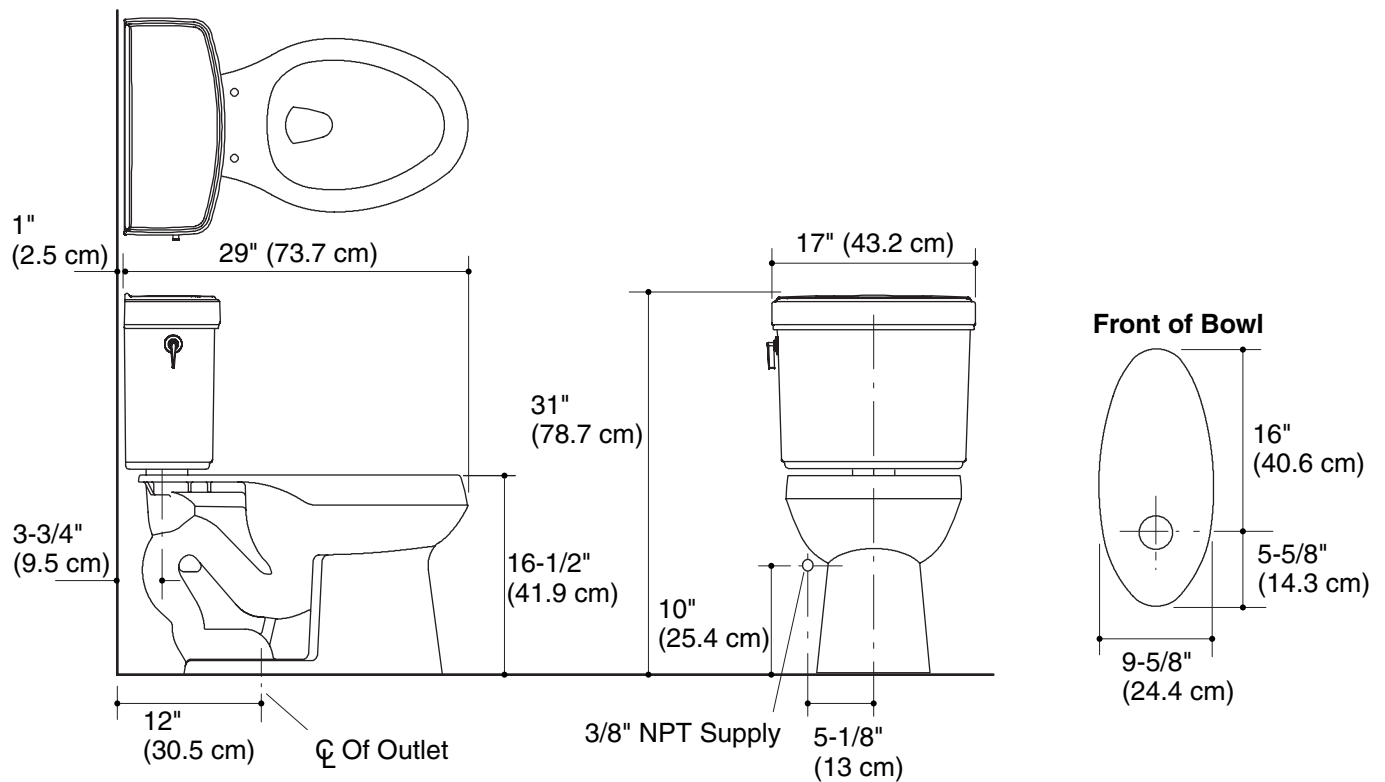
Technical Information

Fixture:	
Configuration	Two-piece, elongated
Water per flush	1.6 gal (6 L)
Passageway	2" (5.1 cm)
Water area	11-1/8" (28.3 cm) x 9-1/2" (24.1 cm)
Water depth from rim	6" (15.2 cm)
Seat post hole centers	5-1/2" (14 cm)

Included components:	
Bowl	K-4274
Tank, left-hand	K-4609
Tank, right-hand	K-4609-RA
Tank cover	1015137
Trip lever, left-hand	85085
Trip lever, right-hand	1007913
Bolt cap accessory pack	1013092

Installation Notes

Install this product according to the installation guide.



Product Diagram