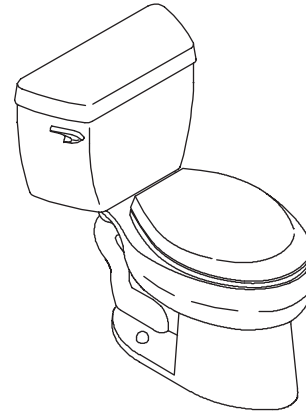


Features

- Vitreous china
- Elongated bowl
- 1.6 gpf (6 lpf)
- 2" (5.1 cm) glazed trapway
- Ingenium™ flushing system
- Combination toilet
- Includes polished chrome trip lever
- Less seat and supply
- With Insuliner® insulated tank lining (-U)
- With tank cover locks (-T)
- With right-hand trip lever (-RA)
- With bedpan lugs (-L)



Codes/Standards Applicable

Specified model meets or exceeds the following:

- ASME A112.19.6
- ASME A112.19.2
- Energy Policy Act of 1992 (EPACT)
- IAPMO/UPC
- CSA B45

Colors/Finishes

- 0: White
- Other: Refer to Price Book for additional colors/finishes

Accessories:

- 0: White
- CP: Polished Chrome
- PB: Polished Brass
- Other: Refer to Price Book for additional colors/finishes

Specified Model

Model	Description	Colors/Finishes	
K-3422	Elongated bowl toilet (left-hand trip lever)	<input type="checkbox"/> 0 White	<input type="checkbox"/> Other _____
K-3422-T	Toilet with tank cover locks (left-hand trip lever)	<input type="checkbox"/> 0 White	<input type="checkbox"/> Other _____
K-3422-U	Toilet with Insuliner tank (left-hand trip lever)	<input type="checkbox"/> 0 White	<input type="checkbox"/> Other _____
K-3422-UT	Toilet with Insuliner tank and tank cover locks (LH trip lever)	<input type="checkbox"/> 0 White	<input type="checkbox"/> Other _____
K-4276-L & K-4620	Toilet with bed pan lugs (left-hand trip lever)	<input type="checkbox"/> 0 White	<input type="checkbox"/> Other _____
K3422-RA	Elongated bowl toilet (right-hand trip lever)	<input type="checkbox"/> 0 White	<input type="checkbox"/> Other _____
K3422-TR	Toilet with tank cover locks (right-hand trip lever)	<input type="checkbox"/> 0 White	<input type="checkbox"/> Other _____
K3422-UR	Toilet with Insuliner tank (right-hand trip lever)	<input type="checkbox"/> 0 White	<input type="checkbox"/> Other _____
K-4276-L & K-4620-RA	Toilet with bed pan lugs (right-hand trip lever)	<input type="checkbox"/> 0 White	<input type="checkbox"/> Other _____
Recommended Accessories and Optional Accessories on Page 2			

Product Specification:

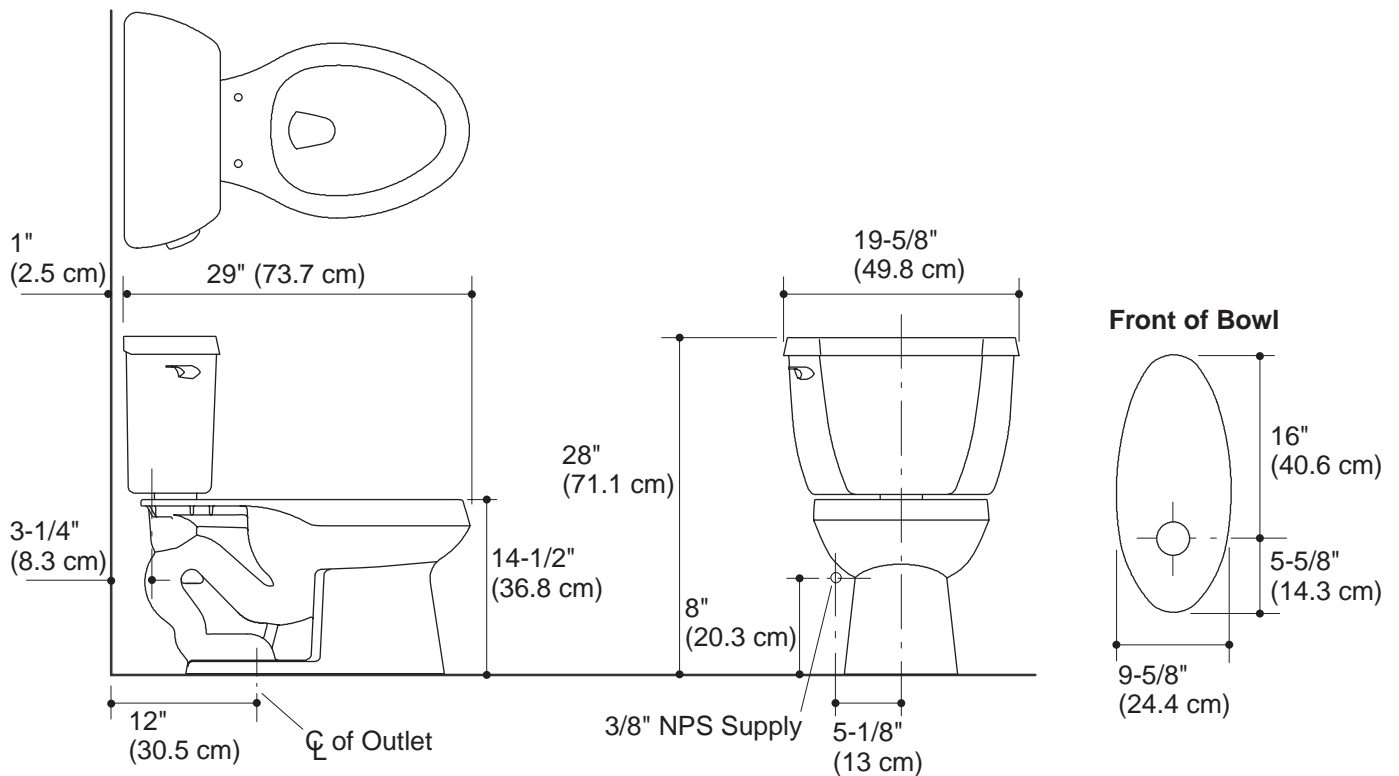
The elongated combination toilet shall be made of vitreous china. Toilet shall be 1.6 gpf (6 lpf) with Ingenium™ flushing system. Toilet shall have 2" (5.1 cm) glazed trapway. Toilet shall include polished chrome trip lever. Toilet shall be less seat and supply. Toilet shall have right-hand trip lever (-RA). Toilet shall have bed pan lugs (-L). Toilet shall have Insuliner™ insulated tank lining (-U). Toilet shall have cover locks (-T). Toilet shall be Kohler Model K-3422-_____-_____-_____.

WELLWORTH

Recommended Accessories				
K-4664	Brevia™ seat with cover	<input type="checkbox"/> 0 White	<input type="checkbox"/> Other _____	
K-4653	French Curve™ closed seat front	<input type="checkbox"/> 0 White	<input type="checkbox"/> Other _____	
K-7637	Angle supply with stop	<input type="checkbox"/> CP	<input type="checkbox"/> PB	<input type="checkbox"/> Other _____
Optional Accessories				
K-9404-L	Trip lever, left-hand (non-CP)	<input type="checkbox"/> PB	<input type="checkbox"/> Other _____	
K-9404-R	Trip lever, right-hand (non-CP)	<input type="checkbox"/> PB	<input type="checkbox"/> Other _____	

Installation Notes

Install this product according to the installation guide.



Product Diagram