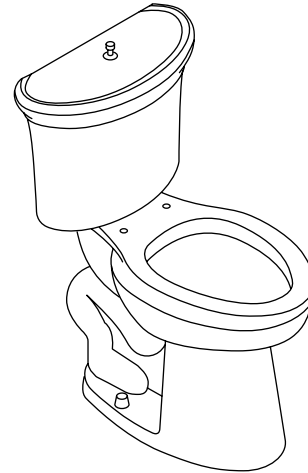


### Features

- Vitreous china
- 12" (30.5 cm) rough-in
- 1.6 gpf (6 lpf)
- 2" (5.1 cm) glazed trapway
- Combination toilet
- Ingenium® flushing system
- Less seat and supply
- Elongated bowl
- Includes polished chrome flush actuator
- 11-1/8" (28.3 cm) x 9-1/2" (24.1 cm) water area
- 29" (73.7 cm) x 19-7/8" (50.5 cm) x 32-1/4" (81.9 cm)

### COMFORT HEIGHT™ TOILET K-3464



### Codes/Standards Applicable

Specified model meets or exceeds the following:

- ASME A112.19.2
- Energy Policy Act of 1992
- IAPMO/UPC
- CSA B45.0
- CSA B45.1
- CSA International

### Colors/Finishes

- 0: White
- Other: Refer to Price Book for additional colors/finishes

### Accessories

- 0: White
- CP: Polished Chrome
- PB: Vibrant® Polished Brass
- Other: Refer to Price Book for additional colors/finishes

### Specified Model

Model	Description	Colors/Finishes	
K-3464	Elongated bowl toilet	<input type="checkbox"/> 0	<input type="checkbox"/> Other_____
<b>Recommended Accessories</b>			
K-4636	Cachet™ Quiet-Close™ closed-front toilet seat	<input type="checkbox"/> 0	<input type="checkbox"/> Other_____
K-7637	Angle supply with stop – 3/8" NPT	<input type="checkbox"/> CP	<input type="checkbox"/> PB <input type="checkbox"/> Other_____
<b>Optional Accessories</b>			
K-9446	Flush actuator	<input type="checkbox"/> PB	<input type="checkbox"/> Other_____

### Product Specification

The elongated toilet combination shall be made of vitreous china. The toilet shall be 29" (73.7 cm) in length, 19-7/8" (50.5 cm) in width, and 32-1/4" (81.9 cm) in height with 11-1/8" (28.3 cm) x 9-1/2" (24.1 cm) water area. The toilet shall be 12" (30.5 cm) rough-in. The toilet shall have 2" (5.1 cm) glazed trapway. The toilet shall be 1.6 gpf (6 lpf) with Ingenium® flushing system. The toilet shall include polished chrome flush actuator. The toilet shall be less seat and supply. The toilet shall be Kohler Model K-3464-\_\_\_\_\_.

# SERIF®

## Technical Information

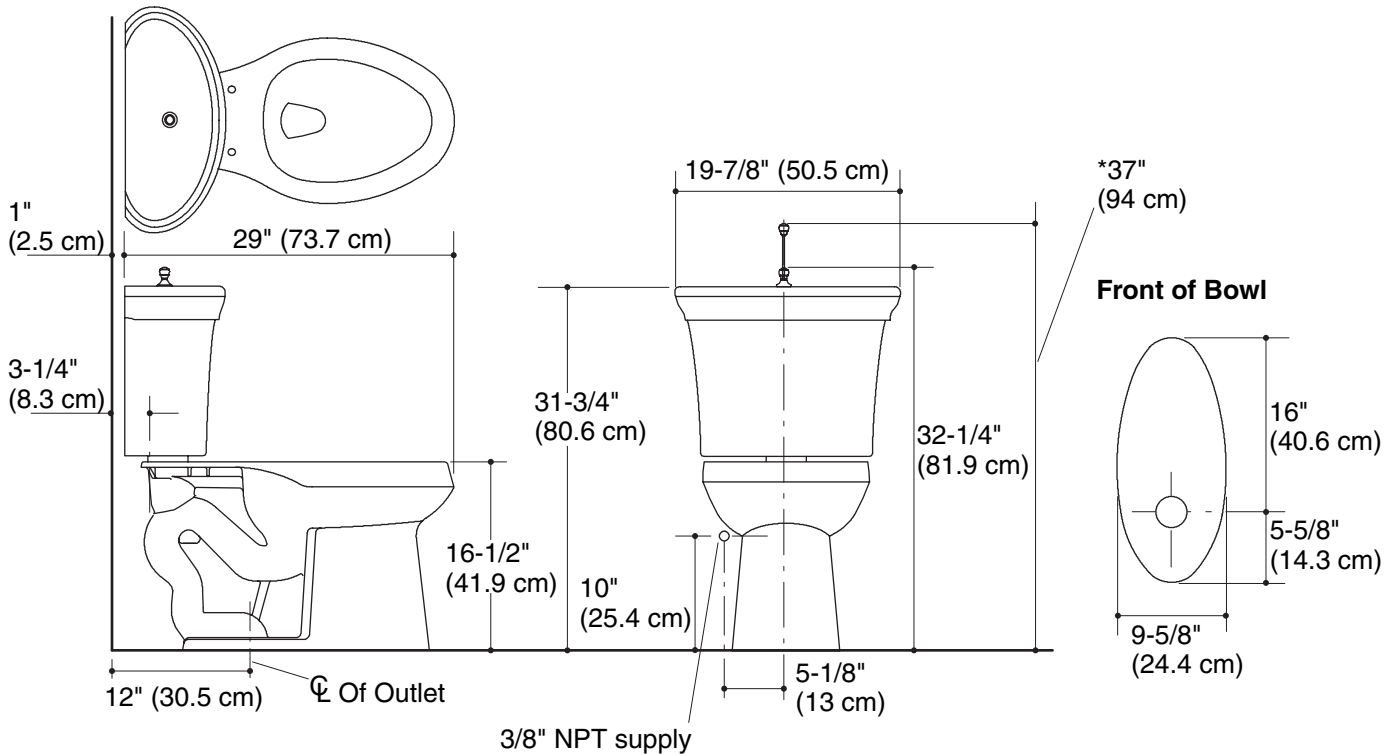
Fixture:	
Configuration	two-piece, elongated
Water per flush	1.6 gal (6 L)
Passageway	2" (5.1 cm)
Water area	11-1/8" (28.3 cm) x 9-1/2" (24.1 cm)
Water depth from rim	6" (15.2 cm)
Seat post hole centers	5-1/2" (14 cm)

Included components:	
Bowl	K-4274
Tank	K-4608
Tank cover	1032188
Tank accessory pack	73062
Bolt cap accessory pack	1013092
Flush actuator	83845-CP

## Installation Notes

Install this product according to the installation guide.

\*Indicates maximum lift of trip lever during actuation.



## Product Diagram