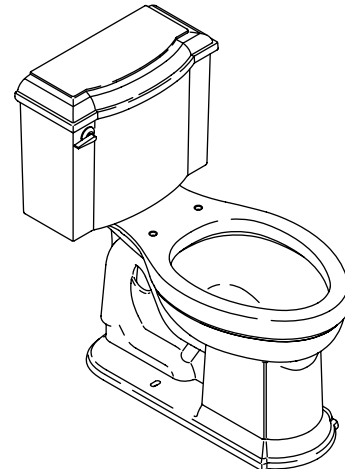


COMFORT HEIGHT™ TOILET K-3503

ADA

Features

- 12" (30.5 cm) rough-in
- Vitreous china
- Elongated bowl
- EPDM flapper
- Class Five™ flushing system
- Combination toilet
- 2-1/8" (5.4 cm) glazed trapway
- 1.6 gpf (6 lpf) or 1.4 gpf (5.3 lpf)
- Less seat and supply
- 16-1/2" (41.9 cm) high bowl is ADA compliant
- 11-3/4" (29.8 cm) x 9-1/4" (23.5 cm) water area
- 30-1/2" (77.5 cm) x 17-1/4" (43.8 cm) x 31" (78.7 cm)



Codes/Standards Applicable

Specified model meets or exceeds the following:

- ADA
- ASME A112.19.2
- ASME A112.19.6
- Energy Policy Act of 1992 (EPACT)
- IAPMO/UPC
- CSA B45

Colors/Finishes

- 0: White
- Other: Refer to Price Book for additional colors/finishes

Accessories:

- PB: Polished Brass
- Other: Refer to Price Book for additional colors/finishes

Specified Model

Model	Description	Colors/Finishes	
K-3503	Two-piece elongated toilet	<input type="checkbox"/> 0	<input type="checkbox"/> Other_____
Recommended Accessories			
K-4636	Cachet™ Quiet-Close™ Quiet-Release™ elongated toilet seat with cover	<input type="checkbox"/> 0	<input type="checkbox"/> Other_____
K-4684	Glenbury™ elongated toilet seat with cover	<input type="checkbox"/> 0	<input type="checkbox"/> Other_____
K-7637	Angle supply with stop, annealed vertical tube and 3/8" NPT	<input type="checkbox"/> CP	<input type="checkbox"/> Other_____
Optional Accessories			
K-9439	Trip lever (non-CP)	<input type="checkbox"/> PB	<input type="checkbox"/> Other_____

Product Specification:

The Comfort Height™ combination toilet shall be 30-1/2" (77.5 cm) in depth, 17-1/4" (43.8 cm) in width, and 31" (78.7 cm) in height. Toilet shall be made of vitreous china and have an elongated bowl. Toilet shall be 1.6 gpf (6 lpf) or 1.4 gpf (5.3 lpf) with Class 5™ flushing system. Toilet shall have a 2-1/8" (5.4 cm) glazed trapway and 12" (30.5 cm) rough-in. Toilet shall be ADA compliant with 16-1/2" (41.9 cm) high bowl. Toilet shall be less seat and supply. Toilet shall have 11-3/4" (29.8 cm) x 9-1/4" (23.5 cm) water area. Toilet shall have EPDM flapper. Toilet shall be Kohler Model K-3503-_____.

DEVONSHIRE®

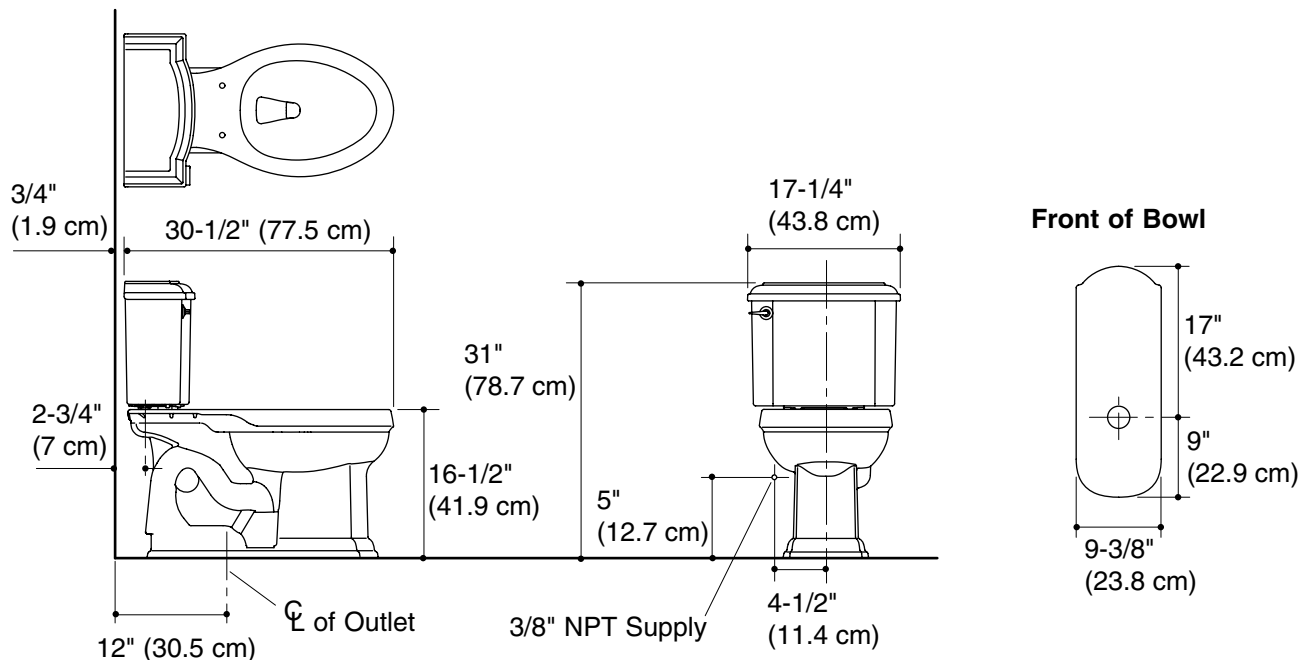
Technical Information

Fixture:	
Configuration	two-piece, elongated
Water per flush	1.6 gal (6 L) or 1.4 gal (5.3 L)
Passageway	2-1/8" (5.4 cm)
Water area	11-3/4" (29.8 cm) x 9-1/4" (23.5 cm)
Water depth from rim	6" (15.2 cm)
Seat post hole centers	5-1/2" (14 cm)

Included components:	
Elongated bowl	K-4288
Toilet tank with left-handed trip lever	K-4708
Tank cover	1044820
Trip lever	85086
Bolt cap accessory pack	1013092
Tank attachment kit	1016548

Installation Notes

Install this product according to the installation guide.



Product Diagram