

BEFORE YOU BEGIN

HOW TO USE THESE INSTRUCTIONS

Please read these instructions carefully to familiarize yourself with the required tools, materials, and installation sequences. Follow the sections that pertain to your particular installation. This will help you avoid costly mistakes. In addition to proper installation, read all operating and safety instructions.

All information in these instructions is based upon the latest product information available at the time of publication. Kohler Co. reserves the right to make changes in product characteristics, packaging, or availability at any time without notice.

These instructions contain important care, cleaning, and warranty information - **please leave the instructions for the consumer.**

ORDERING INFORMATION

Wellworth toilet (elongated) K-3422-X (-XU)

Wellworth toilet (round front) K-3423-X (-XU)

Wellworth toilet (10" (25.4cm)) K-3432-X (-XU)

Highline toilet K-3427-X (-XU)

When specified:

3/8" supply K-7637

Floor bolts (pair) 21401

NOTES

- Observe all local plumbing and building codes.
- Shut off the water supply.
- Seat post holes are on 5-1/2" (14cm) centers.
- 2" (5cm) passageway.
- Water depth from the rim is 6" (15.2cm).
- The seat included contains elements of the Peacekeeper flush system. **Do not substitute another seat.**

- The Peacekeeper system requires two D-size 1.5 volt Alkaline batteries (not included).
- Make sure the new toilet has the correct roughing-in dimension. The K-3422, K-3423, and K-3427 have a 12" (30.5cm) roughing-in dimension. The K-3432 has a 10" (25.4cm) roughing-in dimension. **See Fig. #1.**
- Be very careful when working with vitreous china products. Vitreous china can break or chip if the bolts and nuts are overtightened, or if the product is handled carelessly.
- Carefully inspect the new toilet for damage.
- For new construction, refer to the dimensions in Fig. #1 and Fig. #4 for locating the shut-off valve.
- Fixture dimensions are nominal and conform to tolerances established by ASME Standard A112.19.2M.

TOOLS AND MATERIALS REQUIRED

- 10" adjustable wrench
- 12" pipe wrench
- Metal file (file cut)
- Tape measure
- Tubing cutter
- Level
- Hacksaw
- Putty knife
- Screwdriver
- Toilet gasket (wax seal)
- Toilet T-bolts (2), 5/16" diameter
- Toilet supply shut-off valve, 3/8" recommended

NOTICE: If the existing toilet does not have a supply shut-off valve below the tank, install one before installing the new toilet.

ROUGHING-IN

	A	B	C	D	E	F	G
K-3422	29" (73.7cm)	16" (40.6cm)	5-5/8" (14.3cm)	14-1/2" (36.8cm)	12" (30.5cm)	28" (71.1cm)	8" (20.3cm)
K-3423	26-3/4" (67.9cm)	14" (35.6cm)	6-1/8" (15.6cm)	14-1/2" (36.8cm)	12" (30.5cm)	28" (71.1cm)	8" (20.3cm)
K-3427	29" (73.7cm)	16" (40.6cm)	5-5/8" (14.3cm)	16-1/2" (41.9cm)	12" (30.5cm)	30" (76.2cm)	10" (25.4cm)
K-3432	29" (73.7cm)	17-1/2" (44.5cm)	4-1/4" (10.8cm)	14-1/2" (36.8cm)	10" (25.4cm)	28" (71.1cm)	8" (20.3cm)

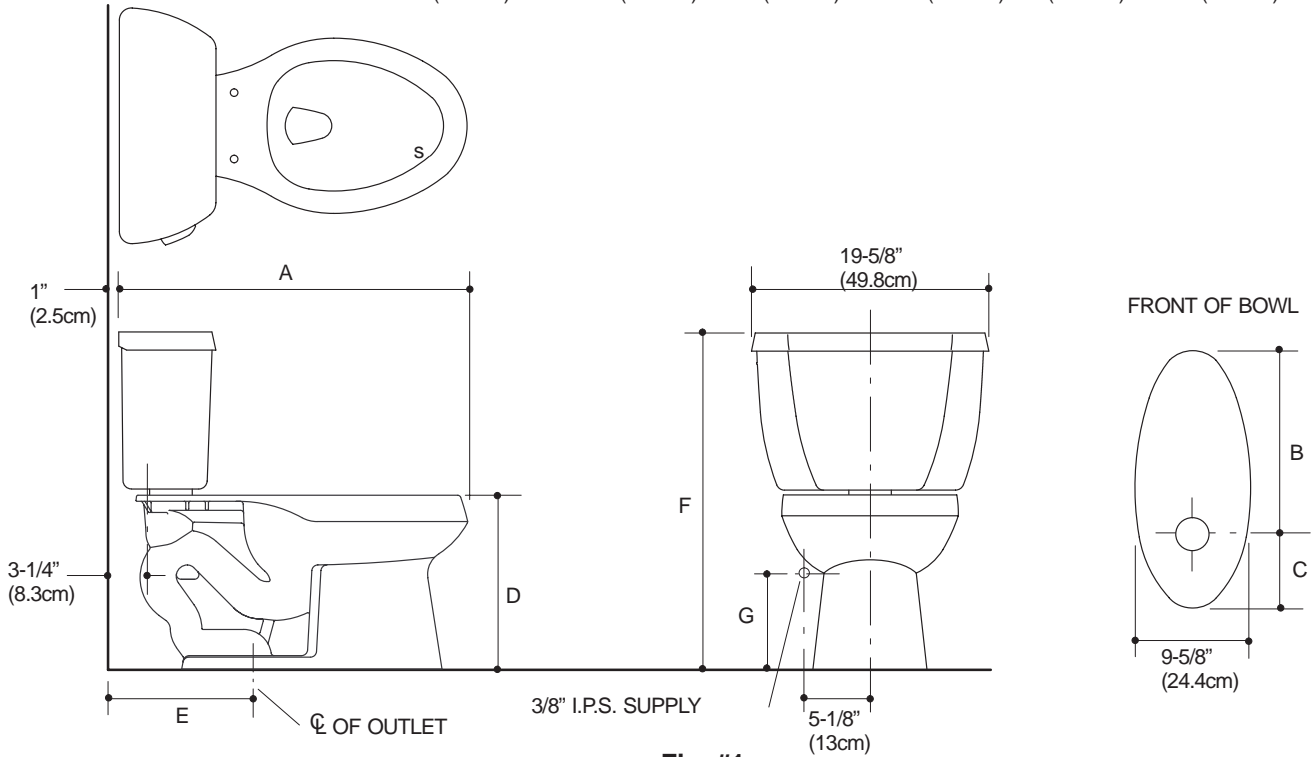


Fig. #1

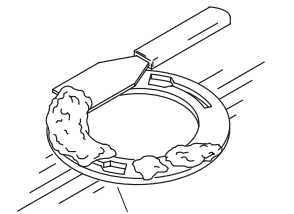
INSTALLATION

TO REMOVE THE EXISTING TOILET

Turn off the water supply. Flush the toilet, and use a sponge to remove the remaining water from the tank and bowl. Disconnect the supply shut-off valve (if present), and remove the old tank and bowl.

Use a putty knife to remove the old gasket from the floor and closet flange. Remove and discard the old T-bolts.

NOTICE: If you are not going to install the new toilet immediately, temporarily stuff a rag in the closet flange.



Closet Flange
Fig. #2

Install two new 5/16" diameter T-bolts into the closet flange.

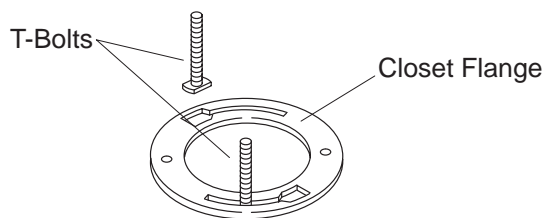
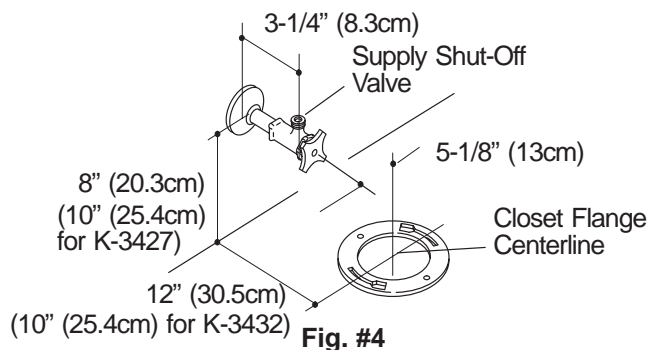


Fig. #3

TO INSTALL THE SUPPLY SHUT-OFF VALVE

Install the supply shut-off valve so it is 8" (20.3cm) above the finished floor for all models other than the K-3427. Install the supply shut-off valve 10" (25.4) above the finished floor for the K-3427. The supply shut-off valve must be 5-1/8" (13cm) to the left of the closet flange centerline.

The centerline of the supply shut-off valve outlet should extend 3-1/4" (8.3cm) from the finished wall. Install the supply shut-off valve with the outlet vertical.



TO INSTALL THE TOILET

Set the toilet upside down on some padding. Firmly press the toilet gasket around the toilet outlet.

NOTE: If you are using a toilet gasket with an integral plastic sleeve, make sure the gasket is positioned with the sleeve facing away from the toilet.

If you temporarily plugged the closet flange with a rag, remove the rag now.

Carefully align and lower the toilet over the closet flange and T-bolts. Apply full body weight to the toilet rim to set the seal.

NOTE: To achieve optimum performance, be sure the toilet is level.

CAUTION: Risk of external leakage. Do not lift or rock the toilet after the seal is set - a new toilet gasket must be installed if you break the watertight seal.

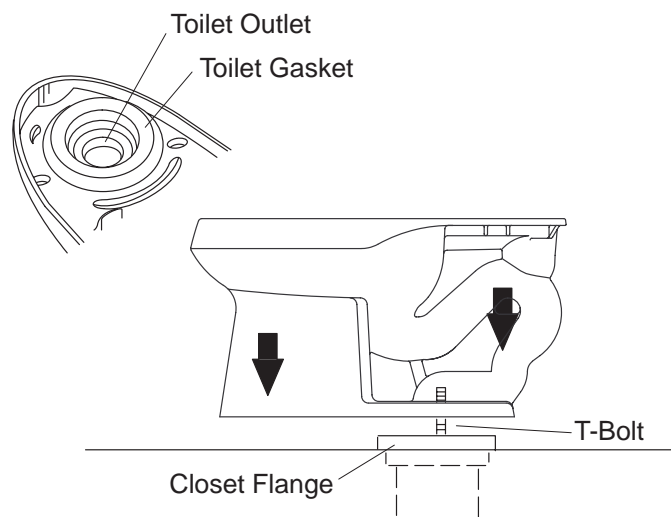


Fig. #5

Assemble the bolt cap bases, washers, and nuts on the exposed T-bolts. Carefully tighten the nuts until snug. **Do not overtighten.**

CAUTION: Risk of personal injury or product damage. Overtightening may cause breakage or chipping of the vitreous china.

If the T-bolts extend more than 1/4" (6mm) over the top of the nuts, cut off the excess, and file the end. Wipe away any residue. Snap on the bolt caps.

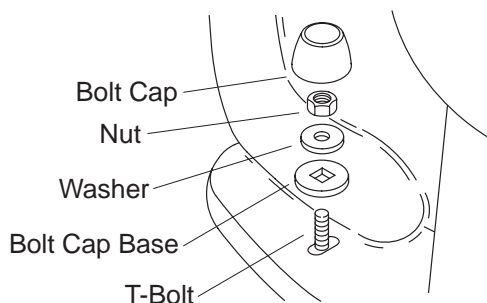


Fig. #6

TO INSTALL THE TANK

Make sure the three tank bolts extend completely through the gasket holes. Position the tank on the bowl, using the tank bolts as a guide. Center the gasket on the bowl inlet. Assemble the washers and nuts on the bolts.

CAUTION: Risk of product damage. Overtightening may cause breakage or chipping of the vitreous china bowl or tank.

Alternately tighten the three nuts so the top of the tank and the top of the bowl are both level. Be sure the nuts are tight enough to achieve a watertight seal. Do not overtighten.

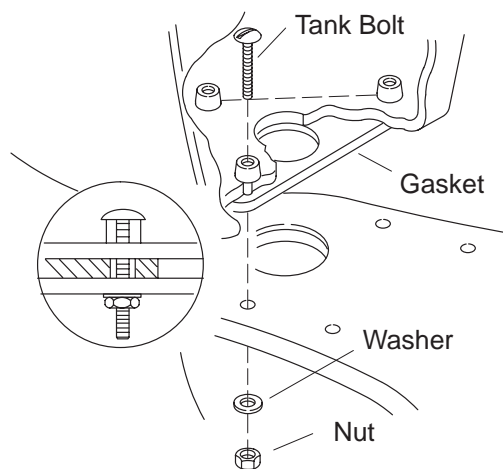


Fig. #7

POSITION THE ACTIVATION SENSOR

NOTE: The Peacekeeper activation sensor must be installed exactly as shown.

Cut and remove the wire tie. Position the sensor wire on the center of the toilet tank front rim. Locate the end of the activation sensor 1-5/16" (3.3cm) to the right of the toilet centerline.

NOTE: It is not necessary to rotate the activation sensor while it is cradled in the wire basket.

NOTE: The sensor activates the toilet flushing mechanism when the magnet in the seat is brought to within 3" (7.6cm) of the sensor for at least 20 seconds.

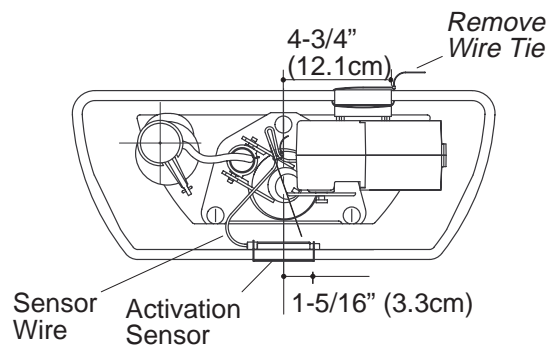


Fig. #8

ROUTE THE SENSOR WIRE

Route the sensor wire to the left, near the float valve, as shown. This ensures that polarity exists between the sensor and the magnet in the seat.

NOTE: Make sure the sensor wire does not interfere with the operation of the float valve.

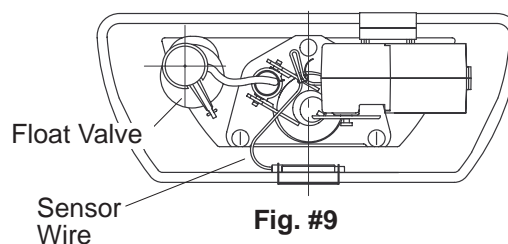


Fig. #9

INSTALL OR REPLACE THE BATTERIES

Insert a screwdriver blade into the seam on top of the housing assembly. Carefully pry open the battery compartment latch, and disengage the other side of the latch from the hinges. Install two D-size batteries in the compartment. Snap the latch back into place.

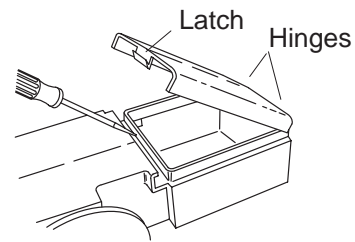


Fig. #10

ADJUST THE CHAIN ASSEMBLY

The ball chain must be slack to provide proper flush ball seating. Move the "S" hook up or down on the ball chain as needed to achieve desired chain slack. Make additional adjustment by loosening the screws on the back of the mounting bracket to adjust the chain slack. If you adjust the mounting bracket, make sure adequate clearance exists between the housing assembly, flush valve, tank walls, and tank cover.

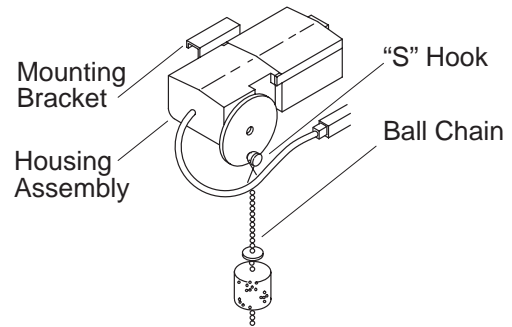


Fig. #11

TO CONNECT SUPPLY SHUT-OFF VALVE

NOTICE: Read this section carefully before performing these steps.

To install the supply shut-off valve, refer to the installation instructions packed with the valve. Carefully bend the tubing to fit.

Cut the end of the tubing 1/4" (6mm) longer than the distance between the supply shut-off valve and the supply shank. Remove any burrs from the inside of the tubing.

Slip the coupling nut, compression nut, and ferrule on the tubing. Insert the tubing into the supply shut-off valve and the supply shank, positioning the seal washer (supplied) or the compression washer (not supplied), as shown. Handtighten the coupling nut, and then tighten the compression nut.

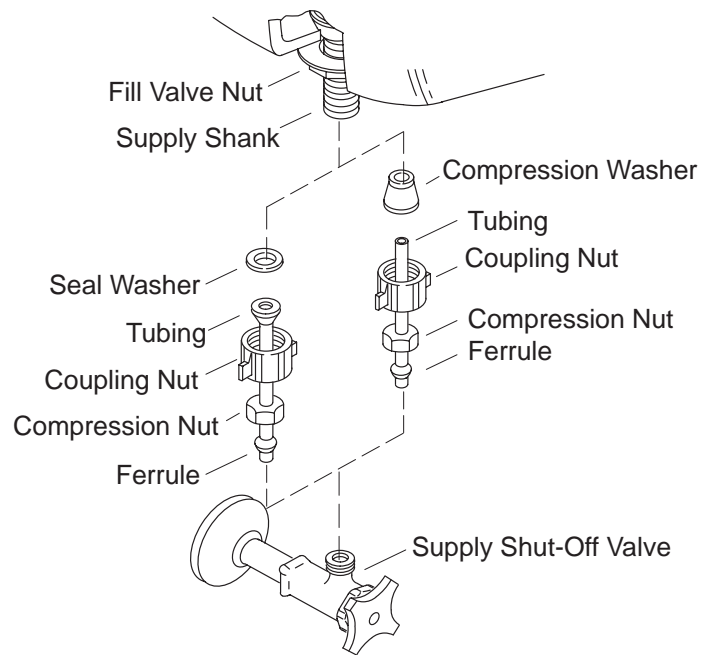


Fig. #12

Open the supply shut-off valve, and check all connections for leakage. If the connections have been properly assembled, a slight re-tightening of the nuts should stop any leakage.

If the toilet is leaking between the tank and bowl, carefully re-tighten the brass nuts evenly. Periodically check all bowl and tank connections for leakage for several days following installation.

Install the toilet seat according to the seat manufacturer's instructions.

Adjust the float by sliding it up or down on the float rod until the water level is at the marked water line.

Test flush the toilet several times, and inspect for leaks.

Set the tank cover in place on the tank.

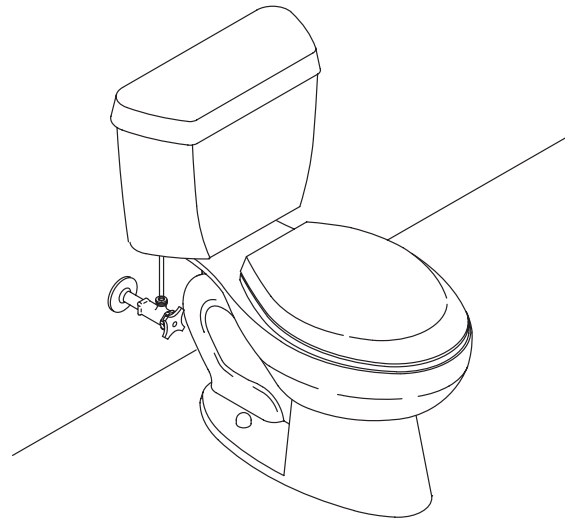


Fig. #13

MAINTENANCE

REPLACE THE HOUSING ASSEMBLY

Bend the metal bracket tab 90 degrees toward the tank wall, as shown. Position the housing assembly mounting bracket on the back of the toilet tank so it is 4-3/4" (12.1cm) to the right of the toilet center.

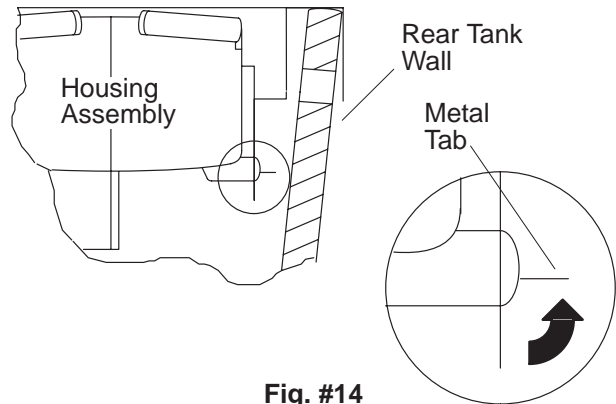


Fig. #14

TROUBLESHOOTING CHART

SYMPTOMS	PROBABLE CAUSES	CORRECTIVE ACTION
1. Float valve turns on/off by itself without toilet being flushed.	<ul style="list-style-type: none"> A. Refill tube pushed too far down on overflow pipe. B. Flush valve flapper ball worn, dirty, or misaligned with flush valve seat; or seat corroded so flapper will not seal. C. Seat corroded so flapper will not seal. D. No slack in chain assembly; housing assembly is misaligned. E. No slack in flapper chain assembly; flapper is held off seat. 	<ul style="list-style-type: none"> A. Attach refill tube to overflow pipe above the water line. B. Inspect, clean and, if necessary, replace flapper ball and/or seat. C. Replace seat. D. Move housing assembly to proper position. E. Adjust flapper chain assembly for proper slack.
2. Float valve continues to run, allowing water to enter tank.	<ul style="list-style-type: none"> A. Foreign particles lodged to valve seat or valve seat washer. B. Float valve seal (located under valve cap) cracked or split. C. Sensor wire interferes with float valve operation. 	<ul style="list-style-type: none"> A. Clean valve seat/seat washer, or replace piston/seat washer assembly. B. Replace valve assembly. C. Reposition sensor wire.
3. Incorrect water level height.	<ul style="list-style-type: none"> A. Float valve not adjusted to correct water level. 	<ul style="list-style-type: none"> A. Adjust water tank level.
4. Long or noisy tank fill cycle.	<ul style="list-style-type: none"> A. Plugged valve inlet or supply line. 	<ul style="list-style-type: none"> A. Clean valve seat/seat washer, or replace piston/seat washer assembly.
5. Poor flush.	<ul style="list-style-type: none"> A. Water level is too low. B. Trapway or rim holes are obstructed. C. Soil pipe or vent is obstructed. D. Supply shut-off valve not fully open. 	<ul style="list-style-type: none"> A. Adjust tank water level. B. Unclog trapway; clean rim holes. C. Clear obstruction from soil pipe or vent. D. Open supply shut-off valve.
6. Toilet seat movement will not flush toilet.	<ul style="list-style-type: none"> A. Batteries are dead. B. Seat not in up raised position for 20 seconds or more. C. Activation sensor not attached to front center of tank. D. Seat does not have oval-shaped magnet on front center of underside. E. Defective housing assembly. 	<ul style="list-style-type: none"> A. Replace batteries with two D-size 1.5 volt Alkaline batteries. B. Completely raise seat against tank surface for at least 20 seconds, then lower to toilet rim. C. Reattach or relocate activation sensor. D. Replace with required Peacekeeper seat. E. Replace housing assembly.

IMPORTANT CONSUMER INFORMATION

CONSUMER RESPONSIBILITIES

If you live in a hard water area, make certain the toilet rim holes are kept clean to ensure proper bowl flushing. Toilet bowl cleaners should be used at least once a week. Use a long-handled brush to clean the rim holes, and to clean as far into the trap as possible to prevent mineral deposits from forming.

Most toilet bowl cleaners are not harmful to the vitreous china surface of the toilet bowl. Please follow the bowl cleaner manufacturer's instructions carefully.

Do not use abrasive cleansers or solvents.



WARNING: Do not use in-tank cleaners. Products containing chlorine (calcium hypochlorite) can seriously damage fittings in the tank. This damage can cause leakage and property damage.

Kohler Company shall not be responsible or liable for any tank fitting damage caused by the use of cleaners containing chlorine (calcium hypochlorite).

CALL US FOR HELP

Here's what you need to do if you require service:

First review the installation instructions to ensure correct installation. For additional assistance in the USA, call our Customer Service Department for direct help. You may also contact us at our web site listed below.

Call 1-800-4-KOHLER within the U.S.

Call 001-877-680-1310 within Mexico

Call 1-800-964-5590 within Canada

THE BOLD LOOK
OF **KOHLER**®

www.kohlerco.com

ANTES DE COMENZAR

CÓMO UTILIZAR LAS INSTRUCCIONES

Lea estas instrucciones atentamente para familiarizarse con las herramientas requeridas, los materiales y la secuencia de instalación. Siga las secciones correspondientes a su instalación particular. Esto le ayudará a evitar errores costosos. Para una instalación apropiada, lea todas las instrucciones de funcionamiento y de seguridad.

Toda la información contenida en estas instrucciones está basada en la más reciente información disponible al momento de su publicación. Kohler Co. se reserva el derecho de efectuar cambios en las características del producto, empaque o disponibilidad en cualquier momento, sin previo aviso.

Estas instrucciones contienen información importante sobre el cuidado, limpieza y garantía - **guarde las instrucciones para el cliente.**

INFORMACIÓN PARA ORDENAR

Inodoro Wellworth (alargado) K-3422-X (-XU)

Inodoro Wellworth (frente redondeado) K-3423-X (-XU)

Inodoro Wellworth (10" (25,4cm)) K-3432-X (-XU)

Inodoro Highline K-3427-X (-XU)

Cuando se especifique:

suministro de 3/8" K-7637

Pernos del piso (par) 21401

NOTAS

- Cumpla con todos los códigos locales de plomería y de construcción.
- Cierre el suministro principal de agua.
- Los huecos de fijación del asiento están en centros de 5-1/2" (14cm).
- Arrastre de 2" (5cm).
- La profundidad del agua desde el borde es de 6" (15,2cm).
- El asiento incluido contiene elementos del sistema de descarga Peacekeeper. **No sustituya por otro asiento.**

- El sistema Peacekeeper requiere de dos pilas alcalinas tipo D, de 1,5 voltios (no incluidas).
- Verifique que el inodoro nuevo tenga la dimensión correcta para la instalación. Los modelos K-3422, K-3423 y K-3427 poseen una dimensión bruta de 12" (30,5cm). La dimensión bruta del modelo K-3432 es de 10" (25,4cm). **Consulte la Fig. #1.**
- Tenga mucho cuidado al trabajar con productos de loza vítrea. La loza vítrea puede romperse o astillarse si los pernos o las tuercas se aprietan demasiado, o si el producto se manipula sin cuidado.
- Revise atentamente el nuevo inodoro para determinar si está dañado.
- Para nuevas construcciones consulte las dimensiones en la Fig. #1 y en la Fig. #4 para la colocación de la llave de paso.
- Las dimensiones del aparato sanitario son nominales y cumplen con las tolerancias establecidas por la norma A112.19.2M del ASME.

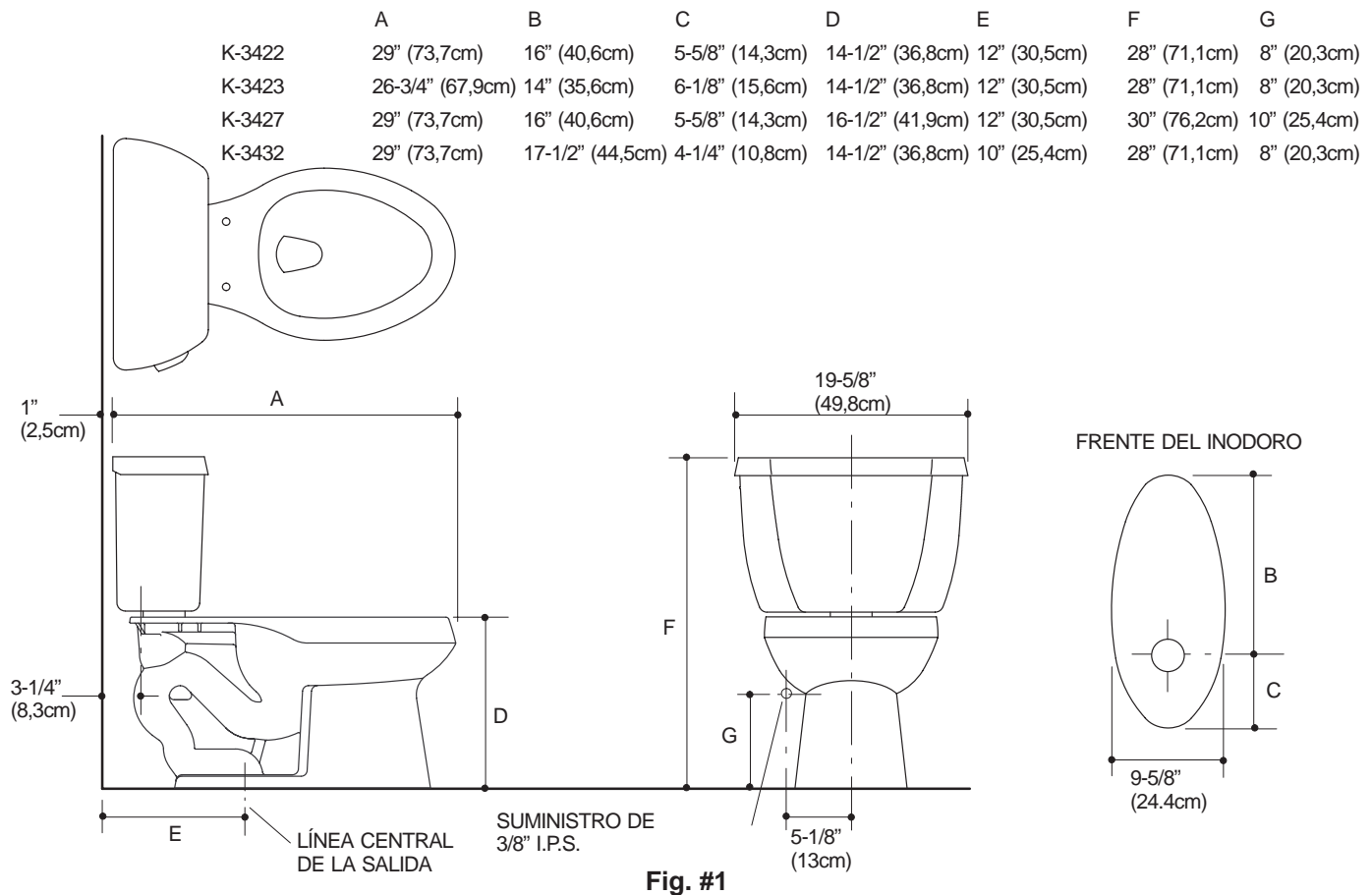
HERRAMIENTAS Y MATERIALES REQUERIDOS

- Llave ajustable de 10"
- Llave para tubos de 12"
- Lima de metal
- Cinta métrica
- Cortatubos
- Nivel
- Segueta

- Espátula
- Destornillador
- Empaque del inodoro (sello de cera)
- Pernos en T (2), de 5/16" diám.
- El tamaño sugerido para la llave de paso es de 3/8"

AVISO: Si el inodoro viejo no tiene llave de paso debajo del tanque, instale una antes de montar el nuevo inodoro.

DIAGRAMA DE INSTALACIÓN



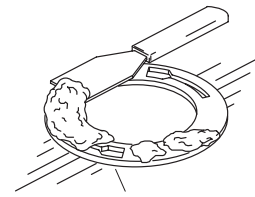
INSTALACIÓN

REMUEVA EL INODORO VIEJO

Cierre el suministro principal del agua. Descargue el inodoro y seque el exceso de agua con una esponja. Cierre la llave de paso (de ser el caso), y remueva la taza y el tanque existentes.

Utilice una espátula para remover el empaque existente del piso y de la brida. Remueva y deseche los pernos en T viejos.

AVISO: Si no se instala el inodoro de inmediato, coloque temporalmente un trapo en la brida del piso.



Brida del inodoro

Fig. #2

Instale dos pernos nuevos en T de 5/16" de diámetro en la brida del inodoro.

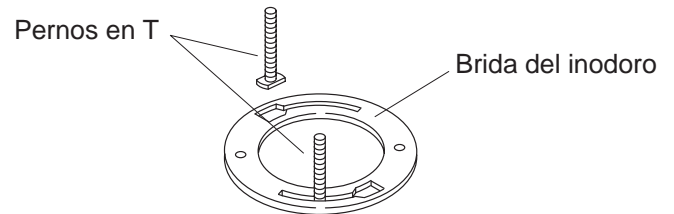


Fig. #3

INSTALE LA LLAVE DE PASO

Instale la llave de paso de manera que esté 8" (20,3cm) por encima del piso acabado, para todos los modelos excepto el K-3427. Instale la llave de paso 10" (25,4cm) por encima del piso acabado, para el modelo K-3427. La llave de paso debe estar 5-1/8" (13cm) a la izquierda respecto a la línea central de la brida.

La línea central de la llave de paso debe extenderse 3-1/4" (9,2cm) a partir de la pared acabada. Instale la llave de paso con la salida vertical.

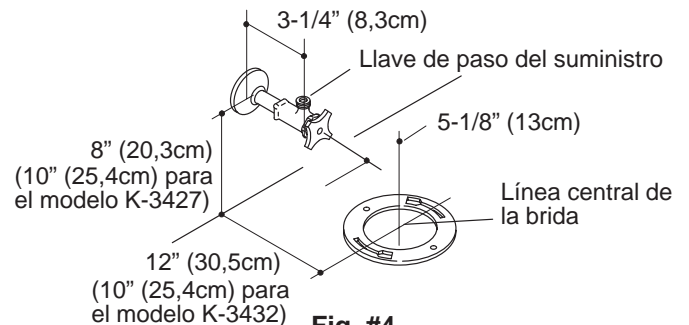


Fig. #4

INSTALE EL INODORO

Coloque el inodoro sobre material protector, en posición invertida. Fije el sello de cera firmemente alrededor de la salida del inodoro.

NOTA: Si se utiliza un sello de cera con una manga integral de plástico, verifique que la manga del empaque esté orientada hacia afuera del inodoro.

Remueva el trapo temporal (si se ha usado) de la brida para el inodoro.

Con cuidado, alinee y baje el inodoro sobre la brida y los pernos en T. Aplique todo el peso del cuerpo sobre los bordes del inodoro para fijar el sello.

NOTA: Para obtener un perfecto funcionamiento, verifique que el inodoro esté nivelado.

PRECAUCIÓN: Riesgo de fugas externas. No levante ni mueva el inodoro después de colocarlo - si se rompe el empaque hermético, se deberá instalar uno nuevo.

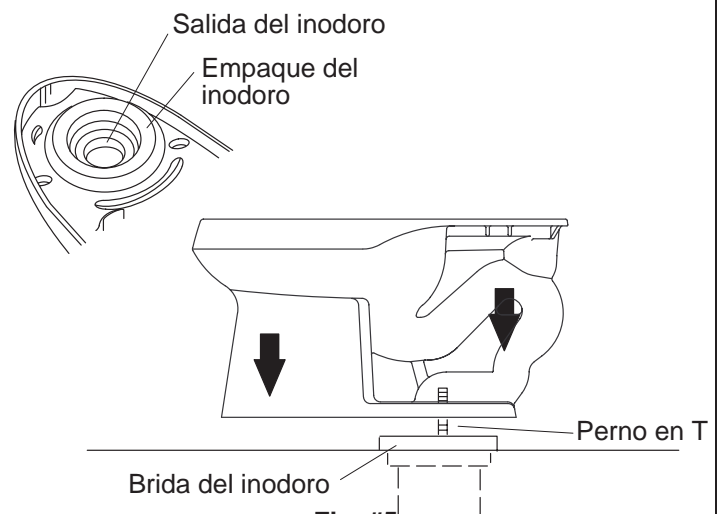


Fig. #5

Monte las bases de los tapapernos, las arandelas y las tuercas sobre los pernos en T visibles. Asegure con cuidado las tuercas. **No asegure en exceso.**

⚠ PRECAUCIÓN: Riesgo de lesiones personales o daños al producto. Si se asegura en exceso, la loza vítrea puede romperse o astillarse.

Si los pernos en T se extienden más de 1/4" (6mm) de las tuercas, corte el exceso y lime el extremo. Remueva cualquier residuo. Coloque los tapapernos.

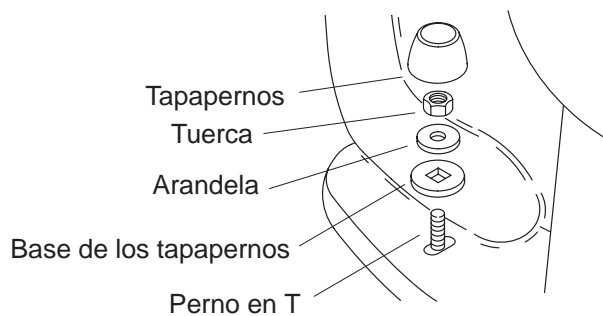


Fig. #6

INSTALE EL TANQUE

Verifique que los tres pernos del tanque se extiendan completamente a través de los hoyos en el empaque. Coloque el tanque en la taza, utilizando los pernos del tanque como guía. Centre el empaque en la entrada del tanque. Monte las arandelas y las tuercas sobre los pernos.

⚠ PRECAUCIÓN: Riesgo de daños al producto. El asegurar demasiado puede romper o astillar la loza vítrea.

Fije las tres tuercas de forma que la parte superior del tanque y de la taza estén niveladas. Verifique que las tuercas estén fijas lo suficiente para producir un sello impermeable. No asegure en exceso.

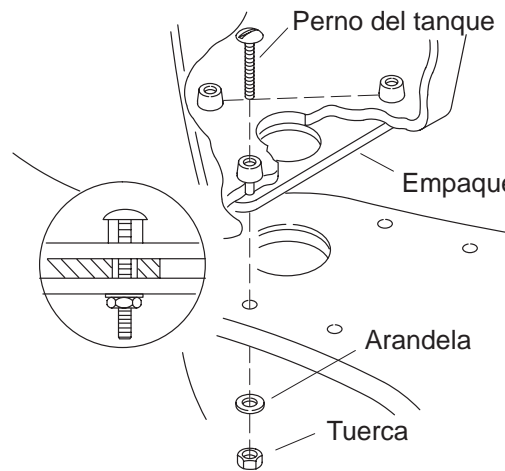


Fig. #7

COLOQUE EL SENSOR DE ACTIVACIÓN

NOTA: El sensor de activación Peacekeeper debe instalarse exactamente como se ilustra.

Corte y remueva el hilo metálico. Coloque el cable del sensor en el centro del reborde frontal del tanque. Coloque el extremo del sensor de activación 1-5/16" (3,3cm) a la derecha de la línea central del inodoro.

NOTA: No es necesario rotar el sensor de activación mientras se encuentre en la cesta metálica.

NOTA: El sensor activa el mecanismo de descarga de agua cuando el imán en el asiento está a 3" (7,6cm) del sensor, durante al menos 20 segundos.

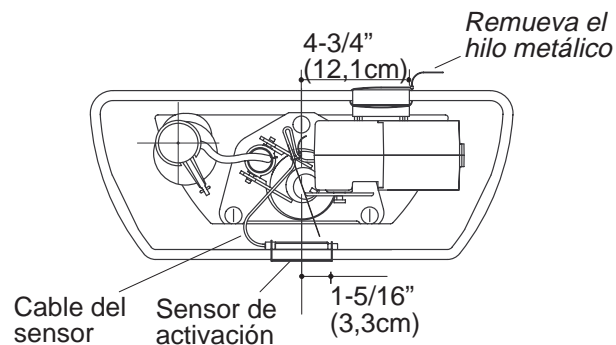


Fig. #8

DIRIJA EN CABLE DEL SENSOR

Dirija el cable del sensor hacia la izquierda, cerca de la válvula de flotación, tal como se ilustra. Esto asegura que haya polaridad entre el sensor y el imán en el asiento.

NOTA: Verifique que el cable del sensor no interfiera con el funcionamiento de la válvula de flotación.

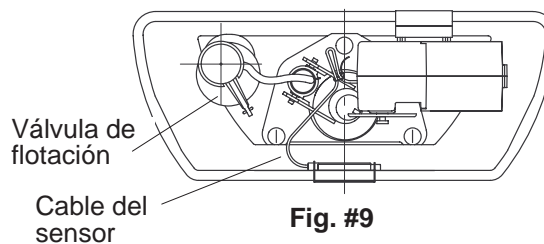


Fig. #9

INSTALE O REEMPLACE LAS PILAS

Inserte la punta de un destornillador plano en la hendidura en la parte superior del montaje del alojamiento. Presione la lengüeta del compartimento de pilas para abrir y libere el lado opuesto de las bisagras. Instale dos pilas tipo D en el compartimento. Lleve de lengüeta de vuelta a su lugar.

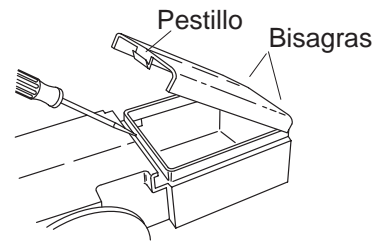


Fig. #10

AJUSTE EL MONTAJE DE LA CADENA

La cadena debe estar floja para permitir que la chapaleta se asiente. Desplace el gancho en "S" hacia arriba o hacia abajo en la cadena, para alcanzar el juego deseado. Realice ajustes adicionales, aflojando los tornillos en la parte de atrás de la abrazadera de montaje. Suba o baje la abrazadera de montaje para ajustar el juego de la cadena. Si se ajusta la abrazadera de montaje, verifique que haya suficiente espacio entre el montaje del alojamiento, la válvula de descarga, las paredes del tanque y la cubierta del tanque.

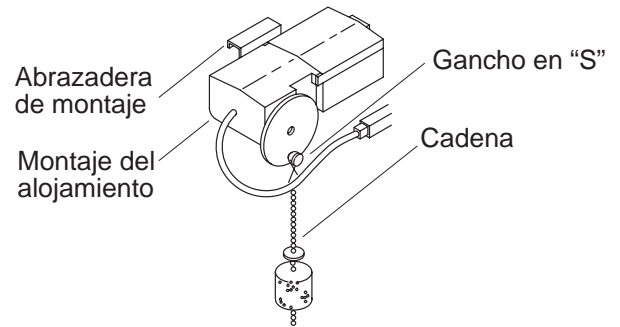


Fig. #11

CONECTE LA LLAVE DE PASO

AVISO: Lea esta sección atentamente antes de empezar la instalación.

Para instalar la llave de paso, consulte las instrucciones de instalación incluidas con el producto. Con cuidado, doble la tubería para que se ajuste.

Corte el extremo del tubo 1/4" (6mm) más respecto a la distancia entre la llave de paso y el vástago de suministro. Desbarbe la tubería.

Deslice la tuerca de acoplamiento, la tuerca de compresión y el casquillo sobre el tubo. Conecte el tubo a la llave de paso y al vástago de suministro, colocando la arandela de sello (incluida) o la arandela de compresión (no incluida) como se ilustra. Asegure la tuerca de acoplamiento y luego, la tuerca de compresión.

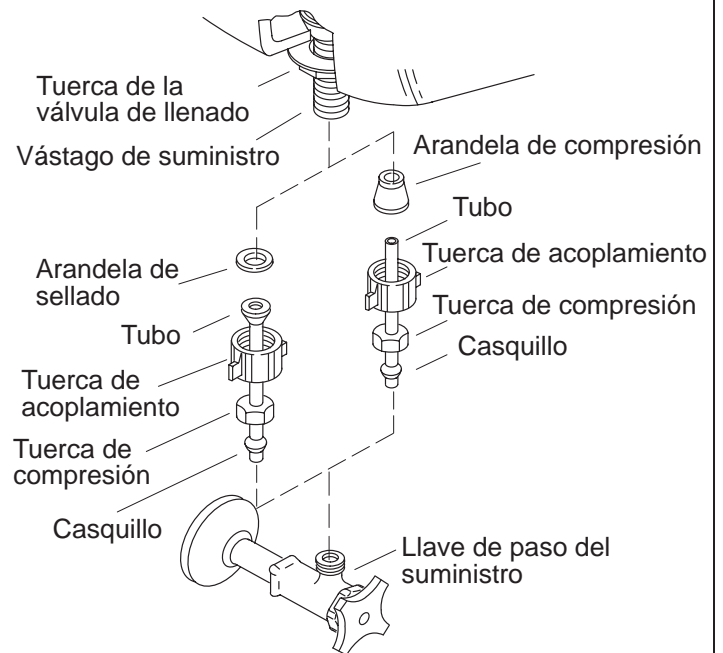


Fig. #12

Abra la llave de paso y revise que no haya fugas en las conexiones. Si las conexiones han sido bien realizadas, el fijar ligeramente las tuercas detendrá cualquier fuga de agua.

Si el inodoro presenta fugas entre la taza y el tanque, asegure nuevamente las tuercas de bronce. Revise periódicamente el tanque y la taza después de la instalación, para determinar que no haya fugas.

Instale el asiento del inodoro según las instrucciones de instalación del fabricante.

Ajuste el flotador deslizándolo hacia arriba o hacia abajo en la varilla del flotador hasta que el nivel de agua iguale la línea de agua marcada.

Realice varias descargas de prueba y verifique que no haya fugas.

Coloque la cubierta sobre el tanque.

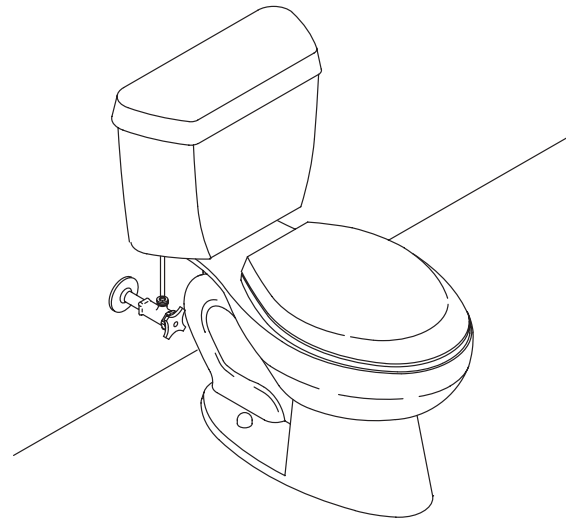


Fig. #13

MANTENIMIENTO

REEMPLACE EL MONTAJE DEL ALOJAMIENTO

Doble la abrazadera de metal 90° hacia la pared del tanque, como se ilustra. Coloque la abrazadera de montaje del alojamiento en la parte posterior del tanque, para que esté 4-3/4" (12cm) a la derecha del centro del inodoro.

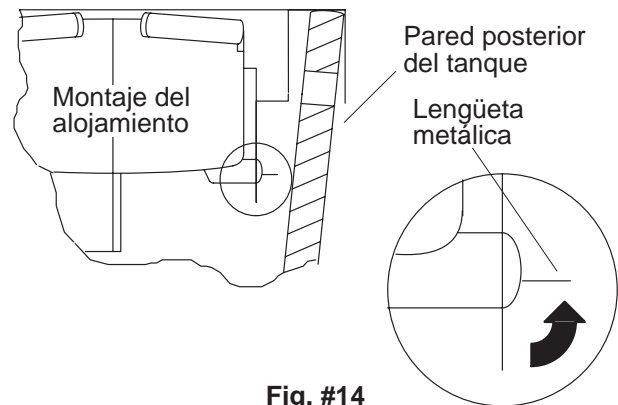


Fig. #14

TABLA DE PROBLEMAS DE REPARACIÓN

SÍNTOMAS	CAUSAS PROBABLES	ACCIÓN CORRECTIVA
1. La válvula de flotación funciona por sí sola sin haber descargado el sistema.	<ul style="list-style-type: none"> A. El tubo de llenado está muy adentro del tubo del rebosadero. B. La chapaleta está deteriorada, sucia o desalineada con el asiento de la válvula; o el asiento no se sella porque está corroído. C. El asiento está corroído y la chapaleta no se asienta. D. La cadena carece de juego; el montaje del alojamiento está mal alineado. E. No hay movimiento en el montaje de la cadena de la chapaleta, manteniendo la chapaleta lejos del asiento. 	<ul style="list-style-type: none"> A. Conecte el tubo de llenado al tubo del rebosadero, sobre la línea de agua. B. Revise, limpie y, de ser necesario, reemplace la bola de la chapaleta o el asiento. C. Reemplace el asiento. D. Mueva el montaje del alojamiento a su lugar. E. Ajuste el montaje de la cadena chapaleta para crear movimiento.
2. La válvula de flotación sigue funcionando, permitiendo que el agua entre en el tanque.	<ul style="list-style-type: none"> A. Hay partículas extrañas alojadas en el asiento de la válvula o en la arandela del asiento. B. El sello de la válvula del flotador (debajo del tapón de la válvula del flotador) puede estar astillado o partido. C. El cable del sensor interfiere con la operación del flotador de la válvula. 	<ul style="list-style-type: none"> A. Limpie el asiento de la válvula de llenado/arandela del asiento, o reemplace el montaje del émbolo/arandela del asiento. B. Reemplace el montaje de la válvula. C. Reubique el cable del sensor.
3. El nivel de agua es incorrecto.	<ul style="list-style-type: none"> A. La válvula de flotación no está ajustada al nivel de agua correcto. 	<ul style="list-style-type: none"> A. Ajuste el nivel de agua en el tanque.
4. El ciclo de llenado del inodoro es largo.	<ul style="list-style-type: none"> A. La entrada de la válvula o la línea de suministro está obstruida. 	<ul style="list-style-type: none"> A. Limpie el asiento de la válvula de llenado/arandela del asiento, o reemplace el montaje del émbolo/arandela del asiento.
5. Descarga deficiente.	<ul style="list-style-type: none"> A. El nivel de agua es demasiado bajo. B. El sifón o los hoyos de la brida están obstruidos. C. La tubería de desechos o de ventilación está obstruida. D. La llave de paso no está completamente abierta. 	<ul style="list-style-type: none"> A. Ajuste el nivel de agua en el tanque. B. Destape el sifón; limpie los orificios del reborde. C. Despeje la obstrucción en el tubo de desechos o en el tubo de ventilación. D. Abra la llave de paso completamente.
6. El movimiento en el asiento no produce descarga.	<ul style="list-style-type: none"> A. Las baterías están descargadas. B. El asiento no está en posición vertical por 20 segundos o más. C. El sensor de activación no está conectado al frente del tanque. D. El asiento carece del imán ovalado en la parte central inferior. E. El montaje del alojamiento es defectuoso. 	<ul style="list-style-type: none"> A. Reemplace con dos baterías alcalinas tamaño D de 1,5 voltios. B. Levante el asiento contra la superficie del tanque durante al menos 20 segundos, y luego baje. C. Conecte nuevamente o reubique el sensor de activación. D. Reemplace con el asiento Peacekeeper requerido. E. Reemplace el montaje del alojamiento.

INFORMACIÓN IMPORTANTE PARA EL CONSUMIDOR

RESPONSABILIDADES DEL CONSUMIDOR

En lugares de agua dura, verifique que los huecos en la parte inferior del borde de la taza estén limpios, para un buen funcionamiento. Utilice un limpiador para el inodoro al menos una vez a la semana. Usando un cepillo de manija larga, limpie los hoyos en la parte inferior del borde y el sifón lo más posible para impedir los depósitos de minerales.

La mayoría de los limpiadores para inodoros no causan daños a la loza vítrea. Por favor, asegúrese de seguir las instrucciones del fabricante del inodoro.

No utilice limpiadores abrasivos ni solventes.



ADVERTENCIA: No utilice limpiadores dentro del tanque. Los productos que contienen cloro (hipocloruro de calcio) pueden dañar los accesorios del inodoro. Esto puede causar fugas y daños a la propiedad.

Kohler Co. no se hace responsable por concepto de daños ocurridos a los accesorios causados por el uso de limpiadores que contienen cloro (hipocloruro de calcio).

PARA ASISTENCIA

Siga los siguientes pasos al solicitar servicio :

Primero, revise las instrucciones para asegurarse de haber realizado la instalación correcta. Si no logra solucionar el problema, llame al Departamento de Atención al Cliente para obtener asistencia directa. También puede localizarnos en la página web escrita abajo.

Llame al 1-800-4-KOHLER (En los Estados Unidos)

Llame al 001-877-680-1310 (En México)

Llame al 1-800-964-5590 (En Canadá)

THE BOLD LOOK
OF **KOHLER**®

www.kohlerco.com

AVANT DE COMMENCER

COMMENT UTILISER LES INSTRUCTIONS

Veillez lire avec attention cette notice pour connaître les outils et matériaux requis, ainsi que les étapes d'installation. Suivez les étapes qui s'appliquent particulièrement à votre installation. Ceci vous évitera des erreurs coûteuses. Outre les conseils d'installation appropriée, lisez toutes les instructions d'utilisation et de sécurité.

Tous les renseignements contenus dans ces instructions proviennent des plus récentes données disponibles sur les produits au moment d'aller sous presse. La société Kohler se réserve le droit d'apporter des modifications aux caractéristiques, conditionnement et disponibilité des produits en tout temps et sans avis.

Cette notice contient des renseignements importants sur l'entretien, le nettoyage et la garantie. **Veillez donner cette notice au consommateur.**

INFORMATION POUR COMMANDER

W.-C. Wellworth (allongé) K-3422-X (-XU)

W.-C. Wellworth (front rond) K-3423-X (-XU)

W.-C. Wellworth (10 po (25,4cm)) K-3432-X (-XU)

W.-C. Highline K-3427-X (-XU)

Quand il est spécifié :

Robinet d'arrêt de 3/8 po K-7637

Boulons du sol (paire) 21401

NOTES

- Respecter tous les codes de plomberie et de bâtiment locaux.
- Couper l'arrivée d'eau principale.
- Les trous de fixation du siège sont sur des centres de 5-1/2 po (14cm).
- Canal de passage de 2 po (5cm).
- Profondeur de l'eau à partir du rebord est de 6 po (15,2cm).
- Le siège inclus contient des éléments du système de chasse Peacekeeper. **Ne pas utiliser d'autre siège.**

- Le système Peacekeeper requiert de deux piles alcalines (non inclus) de 1,5 V, format D.
- S'assurer que le nouveau W.-C. ait les dimensions brutes correctes. La dimension brute des modèles K-3422, K-3423 et K-3427 est de 12 po (30,5cm). Le modèle K-3432 a une dimension brute de 10 po (25,4cm). **Voir la Fig. #1.**
- Travaillez soigneusement pour ne pas endommager la porcelaine vitrifiée. La porcelaine vitrifiée peut casser ou se fragmenter si le produit est manipulé avec négligence.
- Examiner soigneusement le nouveau W.-C. pour déceler tout dommage.
- Pour des nouvelles installations, voir les dimensions à la Fig. #1 et à la Fig. #4 pour déterminer l'emplacement du robinet d'arrêt.
- Les dimensions du W.-C. sont nominales et conformes aux tolérances données par la norme ASME A112.19.2M.

OUTILS ET MATÉRIAUX REQUIS

- Clé à molette de 10 po
- Clé à tubes de 12 po
- Lime de métal
- Ruban à mesurer
- Coupe-tubes
- Niveau
- Scie à métaux
- Couteau à mastic
- Tournevis
- Bague d'échantéité (anneau en cire)
- Boulons à T (2), 5/16 po dia.
- Robinet d'arrêt (3/8 po recommandé)

AVIS : Si le W.-C. existant ne comporte pas de robinet d'arrêt sur l'arrivée d'eau par le dessous du réservoir, en installer un avant d'installer le nouveau W.-C.

DIAGRAMME DE RACCORDEMENT

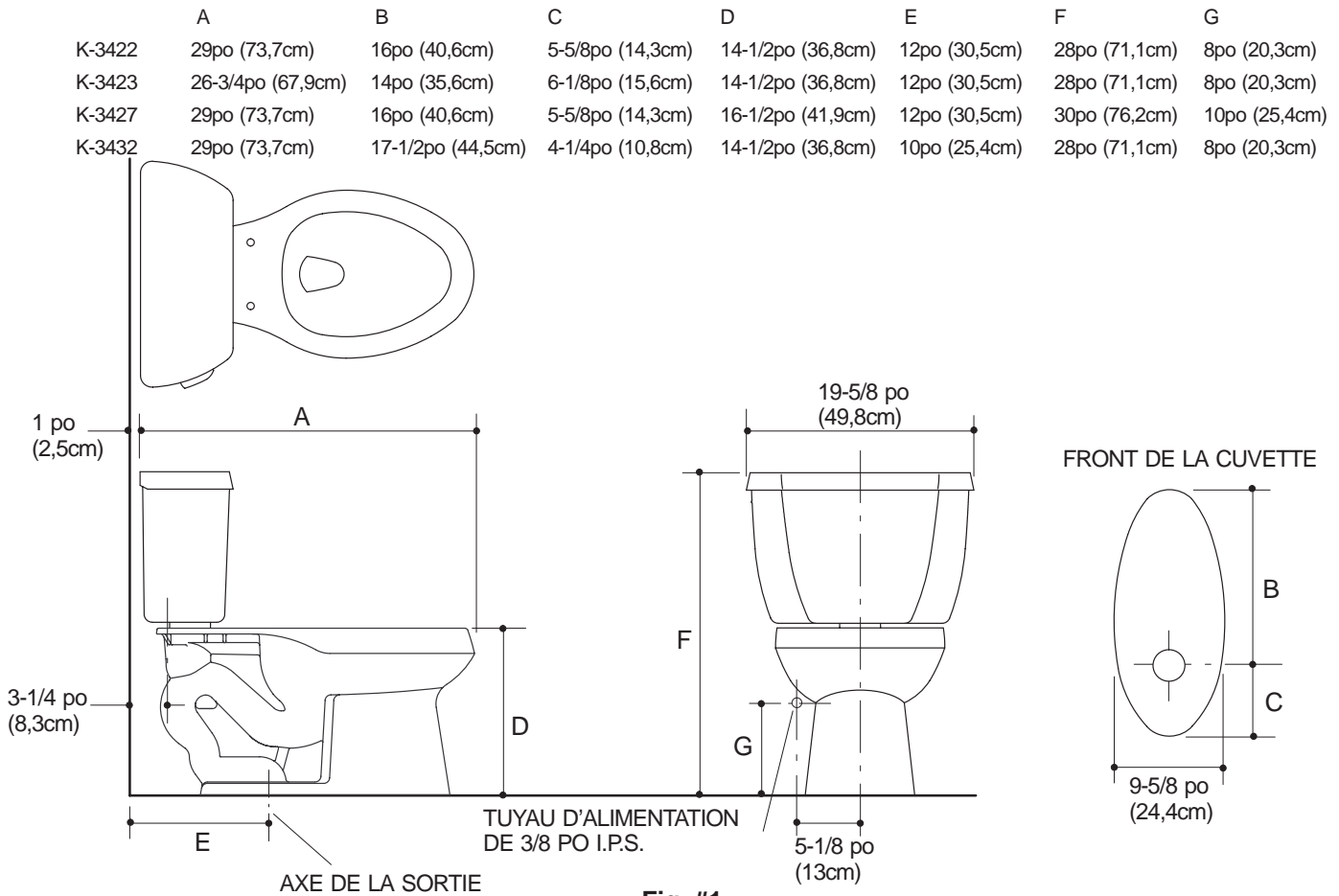


Fig. #1

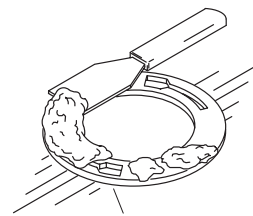
INSTALLATION

ENLEVER LE W.-C. EXISTANT

Fermer l'arrivée d'eau. Activer la chasse d'eau du W.-C. et éponger tout restant d'eau du réservoir et de la cuvette. Débrancher le robinet d'arrêt (le cas échéant) et enlever le réservoir et la cuvette.

Déloger l'anneau en cire existant en grattant la bride du sol avec un couteau à mastic. Retirer et jeter les boulons à T existants.

AVIS : Si l'installation du nouveau W.-C. doit être retardée, recouvrir temporairement la bride du sol avec un chiffon.



Bride de sol

Fig. #2

Installer deux boulons à T de 5/16 po dia. dans la bride du sol.

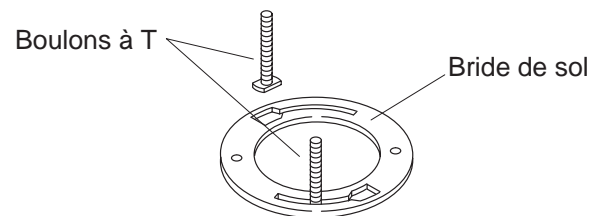


Fig. #3

INSTALLER LE ROBINET D'ARRÊT

Le robinet d'arrêt devrait se situer à 8 po (20,3 cm) au-dessus de la ligne du plancher fini pour tous les modèles autres que K-3427. Pour le modèle K-3427, installer le robinet d'arrêt à 10 po (25,4cm) au-dessus de la ligne du plancher fini. Le robinet d'arrêt devrait se situer à 5-1/8 po (13cm) à gauche de l'axe de la bride de sol.

L'axe du robinet d'arrêt doit s'étendre 3-1/4 po (8,3cm) à partir du mur fini. Installer le robinet d'arrêt avec la sortie en position verticale.

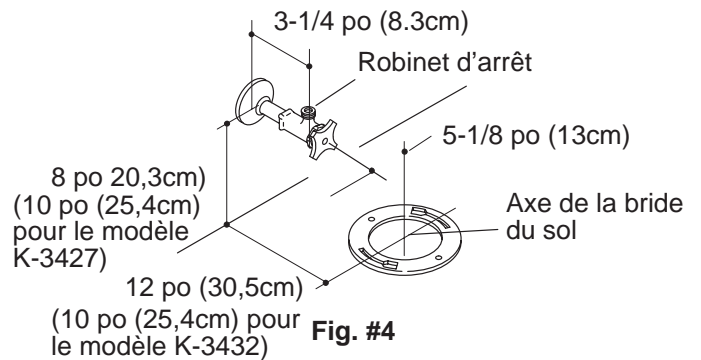


Fig. #4

INSTALLER LE W.-C.

Placer le W.-C. à l'envers sur du matériel protecteur. Appuyer fermement sur l'anneau en cire sur la sortie de la cuvette.

REMARQUE : Si vous employez une bague d'échantéité avec un manchon intégré en plastic, vérifiez que la bague soit placée avec le front orienté loins de la cuvette.

Enlever le chiffon (le cas échéant) placé temporairement sur l'ouverture de la bride de sol.

Aligner et abaisser le W.-C. sur la bride de sol et les boulons à T. Appliquer une pression de tout son poids de corps répartie sur le rebord de la cuvette pour fixer le joint.

REMARQUE : Pour un bon fonctionnement, s'assurer que le W.-C. soit de niveau.



ATTENTION : Risque de fuites vers l'extérieur. Ne pas soulever ou secouer la cuvette après sa mise en place. Si le joint étanche se brise, il faut remplacer l'anneau en cire.

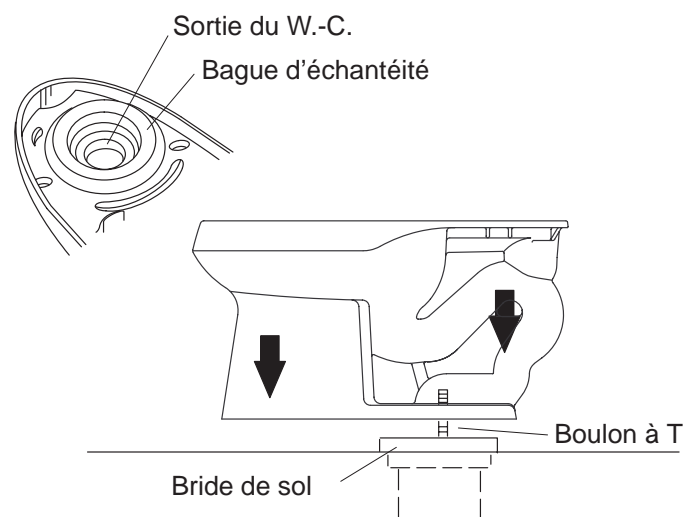


Fig. #5

Assembler les plaquettes en plastique des cache-boulons, les rondelles et les écrous sur les boulons à T exposés. Serrer les écrous soigneusement. **Ne pas trop serrer.**

⚠ ATTENTION : Risque de blessures ou d'endommagement du produit. Le serrage excessif peut casser ou fragmenter la porcelaine vitrifiée.

Si la projection des boulons à T par rapport au-dessus des écrous excède 1/4 po (6mm), en couper et limer l'excédent. Nettoyer tout résidus. Placer les cache-boulons.

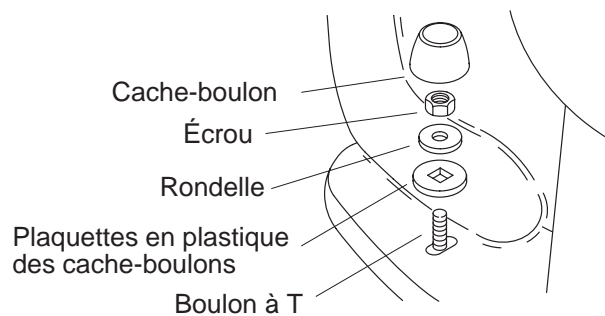


Fig. #6

INSTALLER LE RÉSERVOIR

S'assurer que les boulons du réservoir s'étendent complètement à travers des trous dans la bague d'échantéité. Placer le réservoir sur la cuvette en utilisant les boulons comme guide. Centrer la bague d'échantéité à l'entrée de la cuvette. Assembler les rondelles et écrous de laiton sur les boulons.

⚠ ATTENTION : Risque d'endommagement du produit. Le serrage excessif peut casser ou fragmenter la porcelaine vitrifiée.

Serrer les trois écrous, de manière à ce que la partie supérieure du réservoir et celle de la cuvette soient de niveau. S'assurer de bien serrer les écrous pour réaliser un joint étanche. Ne pas trop serrer.

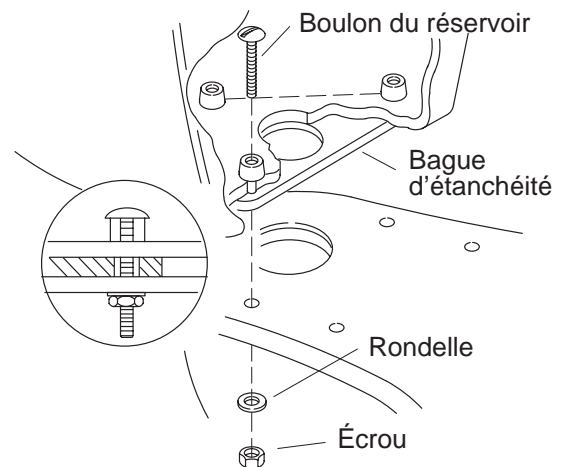


Fig. #7

PLACER LE DÉTECTEUR D'ACTIVATION

REMARQUE : Le détecteur d'activation Peacekeeper doit être installé comme illustré.

Couper et éliminer le fil métallique. Placer le fil du détecteur au centre du rebord frontal du réservoir. Placer l'extrémité du détecteur à 1-5/16 po (3,3cm) à droite de l'axe du W.-C.

REMARQUE : Si le détecteur d'activation se trouve dans le panier métallique, il ne sera pas nécessaire de le pivoter.

REMARQUE : Le détecteur active le mécanisme de chasse quand l'aimant du siège s'approche à 3 po (7,6cm) du détecteur pendant au moins 20 secondes.

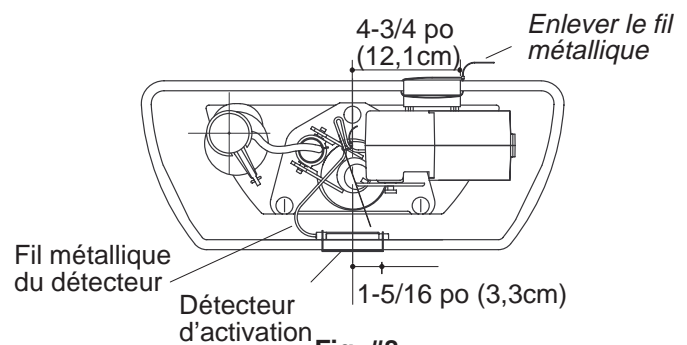


Fig. #8

DIRIGER LE FIL DU DÉTECTEUR

Diriger le fil du détecteur à gauche, près de la soupape à flotteur, tel qu'illustré. Ceci assure l'existence de polarité entre le détecteur et l'aimant du siège.

REMARQUE : S'assurer que le fil du détecteur n'interfère pas avec le fonctionnement de la soupape à flotteur.

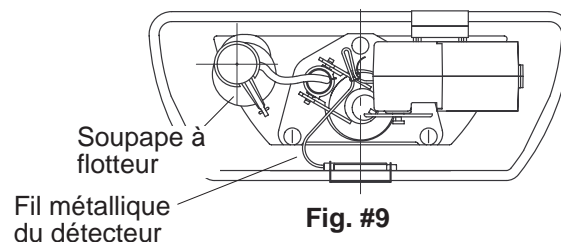


Fig. #9

INSTALLER OU REMPLACER LES BATTERIES

Insérer un tournevis à lame plate dans le joint supérieur de l'ensemble de logement. Appliquer une légère pression de levier sur le compartiment et dégager l'autre côté du loquet hors des charnières. Installer deux piles de format D, dans le compartiment. Loger le loquet dans sa place.

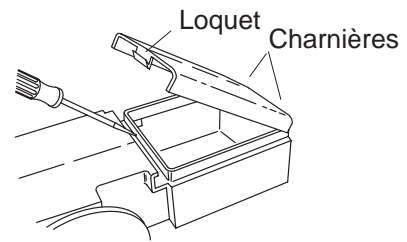


Fig. #10

AJUSTER L'ENSEMBLE CHÂÎNE

La chaîne doit avoir un certain jeu pour que la bille de clapet soit bien logée. Déplacer l'agrafe en "S" sur la chaîne à boules jusqu'à obtenir le jeu de chaîne désirée. Affiner le réglage en dévissant les vis au dos de la patte de fixation. Soulever ou abaisser la patte de fixation pour ajuster le jeu de la chaîne. Si la patte de fixation doit être ajustée, assurer le dégagement adéquat entre l'ensemble de logement, la soupape de chasse, les parois du réservoir et le couvercle du réservoir.

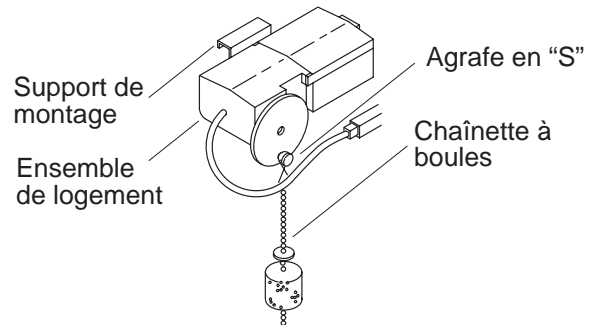


Fig. #11

RACCORDER LE ROBINET D'ARRÊT

AVIS : Veuillez lire avec attention cette section avant de continuer.

Pour installer le robinet d'arrêt, lire la notice d'installation qui accompagne le robinet. Plier les tubes avec précaution.

Couper l'extrémité du tube 1/4 po (6 mm) plus long que la distance entre le robinet d'arrêt et l'about d'alimentation. Ébarber l'intérieur du tube.

Raccorder l'écrou de raccordement, l'écrou à compression et le collet à compression au tuyau. Brancher le tube au robinet d'arrêt et à l'about d'alimentation, en plaçant la rondelle d'étanchéité (fournie) ou la rondelle à compression (non-fournie), tel qu'illustré. Serrer l'écrou de raccordement et l'écrou à compression à la main.

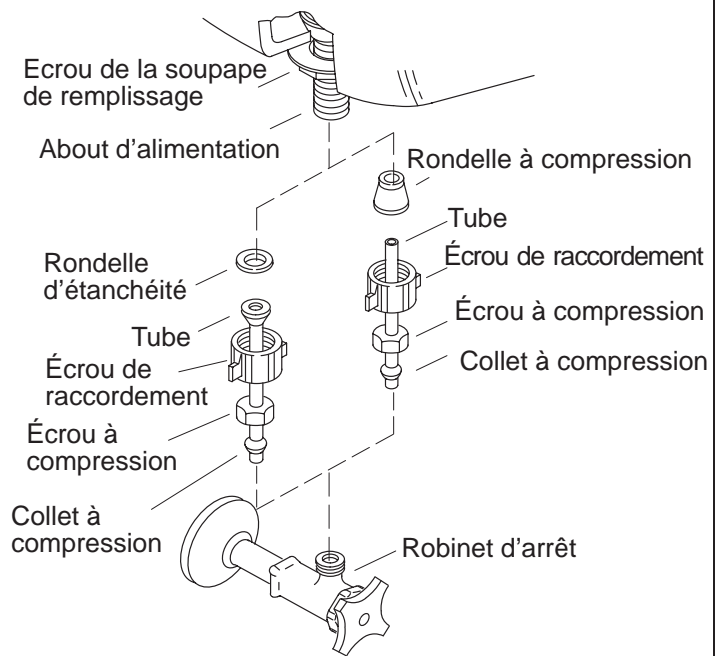


Fig. #12

Ouvrir le robinet d'arrêt lentement et vérifier s'il y a des fuites. Si les raccords ont été bien faits, serrer à nouveau pour éviter des fuites.

Si le W.-C. accuse des fuites entre le réservoir et la cuvette, serrer à nouveau les écrous en laiton. Pendant plusieurs jours après l'installation, vérifier périodiquement s'il y a des fuites.

Assembler le siège du cabinet conformément à la notice du fabricant.

Glisser le flotteur sur la tige pour régler le niveau d'eau du réservoir selon le niveau repère.

Effectuer un essai de chasse sur le W.-C. plusieurs fois et vérifier s'il ya des fuites.

Mettre en place le couvercle du réservoir.

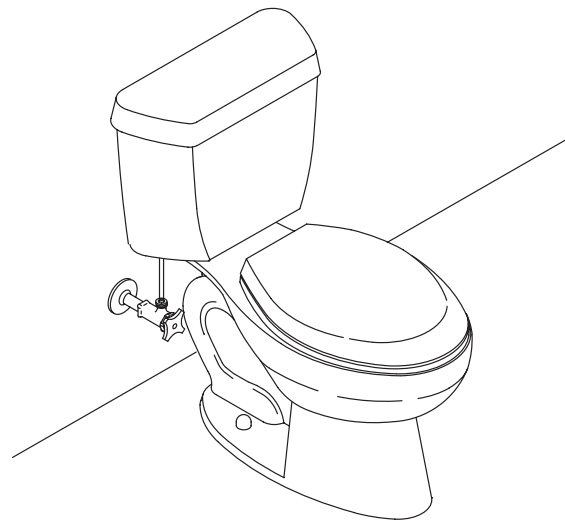


Fig. #13

ENTRETIEN

REPLACER L'ENSEMBLE LOGEMENT

Plier la butée de la patte de fixation 90 degrés vers le réservoir, tel qu'illustré. Positionner la patte de fixation du logement au dos du réservoir de W.-C. de manière à ce qu'il soit à 4-3/4 po (12,1cm) à droite, par rapport l'axe du W.-C.

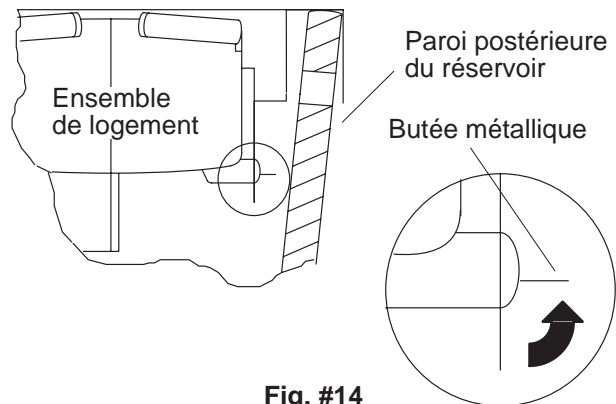


Fig. #14

TABLEAU DE DÉPANNAGE

SYMPTÔMES	CAUSE PROBABLE	CORRECTIF
1. La soupape à flotteur s'ouvre d'elle-même sans qu'on déclenche la chasse du W.-C.	<p>A. Le tube de remplissage est trop dedans le trop-plein.</p> <p>B. Le clapet de la soupape de chasse est usé, sale ou mal aligné contre le siège de la soupape de chasse ; ou le siège est endommagé et le clapet ne se ferme pas.</p> <p>C. Le siège est endommagé et le clapet ne se ferme pas.</p> <p>D. L'ensemble chaîne n'a aucun jeu. Le logement est mal aligné.</p> <p>E. L'ensemble chaîne du clapet n'a aucun jeu, empêchant le contact complet du clapet contre le siège.</p>	<p>A. Brancher le tube de remplissage ou trop-plein audessus du niveau repère.</p> <p>B. Vérifier, nettoyer et, si nécessaire, remplacer la bille du clapet ou le siège de la soupape.</p> <p>C. Remplacer le siège.</p> <p>D. Déplacer l'ensemble logement à la position appropriée.</p> <p>E. Ajuster le jeu de l'ensemble chaîne du clapet.</p>
2. La soupape à flotteur coule l'eau et permet l'admission de l'eau dans le réservoir.	<p>A. Il y a des debris logés au-dessous du siège de la soupape ou de la rondelle de siège.</p> <p>B. Le joint étanche de la soupape à flotteur est endommagé.</p> <p>C. Le fil du détecteur interfère avec le fonctionnement de la soupape à flotteur.</p>	<p>A. Nettoyer le siège de soupape / rondelle de siège, ou remplacer l'ensemble piston-clapet / rondelle de siège.</p> <p>B. Remplacer l'ensemble de soupape.</p> <p>C. Replacer les fil du détecteur.</p>
3. Mauvais niveau d'eau.	<p>A. Le niveau d'eau de la soupape à flotteur n'est pas correct.</p>	<p>A. Régler le niveau d'eau du réservoir.</p>
4. Cycle de remplissage de réservoir lent et bruyant.	<p>A. L'entrée de la soupape ou les conduites d'arrivée d'eau sont bouchées.</p>	<p>A. Nettoyer le siège de soupape / rondelle de siège, ou remplacer l'ensemble piston-clapet / rondelle de siège.</p>
5. Mauvais fonctionnement de chasse.	<p>A. Le niveau d'eau dans est trop bas.</p> <p>B. Le siphon ou les orifices du rebord de cuvette sont bouchés.</p> <p>C. Le tuyau de chute ou d'évent est bouché.</p> <p>D. Le robinet d'arrêt n'est pas complètement ouvert.</p>	<p>A. Régler le niveau d'eau du réservoir.</p> <p>B. Dégorger le siphon et nettoyer les orifices du rebord de cuvette.</p> <p>C. Dégorger le tuyau de chute ou d'évent.</p> <p>D. Ouvrir le robinet d'arrêt.</p>
6. Le mouvement du siège du W.-C. n'active pas la chasse.	<p>A. Les piles sont mortes.</p> <p>B. Le siège n'est pas soulevé pour 20 secondes ou plus.</p> <p>C. Le détecteur d'activation n'est pas branché au réservoir.</p> <p>D. Le siège n'a pas d'aimant oval au-dessous du centre frontal.</p> <p>E. L'ensemble de logement est défectueux.</p>	<p>A. Remplacer les piles avec deux piles alcalines de 1,5 V, format D.</p> <p>B. Soulever complètement le siège contre la surface du réservoir pendant 20 seconds. Abaisser le rebord du W.-C.</p> <p>C. Réinstaller ou replacer le détecteur d'activation.</p> <p>D. Replacer avec le siège Peacekeeper requis.</p> <p>E. Remplacer l'ensemble de logement.</p>

NOTICE IMPORTANTE AU CONSOMMATEUR

RESPONSABILITÉS DU CONSOMMATEUR

Si vous habitez une région où l'eau potable est dure, assurez-vous de garder les orifices du rebord de l'appareil propres pour garantir un fonctionnement approprié. Utilisez un nettoyant pour cuvette au moins une fois par semaine. Utilisez aussi une brosse à longue manche pour nettoyer le siphon aussi loin que possible pour empêcher la formation de dépôts minéraux.

La plupart des nettoyants pour cuvette n'endommagent pas la surface de la cuvette en porcelaine vitrifiée. Veuillez suivre la notice du fabricant du nettoyant avec attention.

Ne pas utiliser de nettoyants abrasifs ou de solvants.



ATTENTION : Ne pas utiliser des nettoyants pour réservoir de W.-C. Les produits qui contiennent du chlore (hypochlorite de calcium) peuvent causer des dommages graves aux composants internes du réservoir. Ceci peut se solder en fuites et dommages matériels.

La société Kohler décline toute responsabilité quant à tout endommagement de composants internes de réservoir causé par l'utilisation de nettoyants qui contiennent du chlore (hypochlorite de calcium).

BESOIN D'AIDE ?

Pour demander du service, voici comment faire.

Revoir d'abord la notice d'installation pour s'assurer d'une installation correcte. Pour toute assistance additionnelle, contactez notre département de service à la clientèle. Vous pouvez aussi nous joindre sur notre site Web à l'adresse donnée ci-dessous.

Aux É.-U., composer le 1-800-4-KOHLER
Au Mexique, composer le 001-877-680-1310
Au Canada, composer le 1-800-964-5590

THE BOLD LOOK
OF **KOHLER**®

www.kohlerco.com