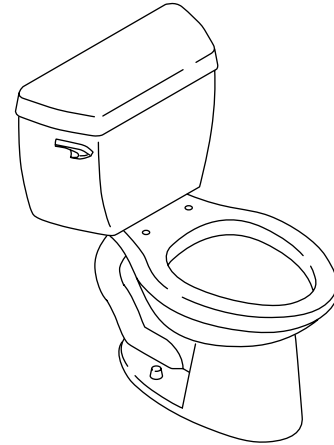


COMFORT HEIGHT™ TOILET K-3481

ADA

Features

- Vitreous china
- 12" (30.5 cm) rough-in
- Comfort Height™
- Combination toilet
- Concealed trapway
- Ingenium® flushing system
- Includes polished chrome trip lever
- Less seat and supply
- With Insuliner® insulated tank lining (-U)
- Elongated bowl
- 1.6 gpf (6 lpm)
- 16-1/2" (41.9 cm) high bowl is ADA compliant when an open-front seat is installed
- 10-1/2" (26.7 cm) x 9-1/4" (23.5 cm) water area
- 29" (73.7 cm) x 19-5/8" (49.8 cm) x 30" (76.2 cm)



Codes/Standards Applicable

Specified model meets or exceeds the following:

- ADA
- ASME A112.19.2
- Energy Policy Act of 1992
- CSA International
- IAPMO/UPC
- CSA B45.0
- CSA B45.1
- CABO/ANSI A117.1

Colors/Finishes

- 0: White
- Other: Refer to Price Book for additional colors/finishes

Accessories

- 0: White
- CP: Polished Chrome
- PB: Vibrant® Polished Brass
- Other: Refer to Price Book for additional colors/finishes

Specified Model

Model	Description	Colors/Finishes	
K-3481	Elongated bowl toilet	<input type="checkbox"/> 0	<input type="checkbox"/> Other _____
K-3481-U	Elongated bowl toilet with Insuliner	<input type="checkbox"/> 0	<input type="checkbox"/> Other _____

Recommended Accessories			
K-4650	Lustra™ open-front seat for ADA compliance	<input type="checkbox"/> 0	<input type="checkbox"/> Other _____
K-4664	Brevia™ elongated toilet seat	<input type="checkbox"/> 0	<input type="checkbox"/> Other _____
K-7637	Angle supply with stop – 3/8" NPT	<input type="checkbox"/> CP	<input type="checkbox"/> PB <input type="checkbox"/> Other _____

Product Specification

The elongated combination toilet shall be made of vitreous china. Toilet shall be 29" (73.7 cm) x 19-5/8" (49.8 cm) x 30" (76.2 cm) with a 10-1/2" (26.7 cm) x 9-1/4" (23.5 cm) water area. Toilet shall have a 12" (30.5 cm) rough-in, concealed trapway, and a polished chrome trip lever. Toilet shall be 1.6 gpf (6 lpf) with Ingenium flushing system. Toilet shall feature a 16-1/2" (41.9 cm) high bowl which is ADA compliant when an open-front seat is installed. Toilet shall be available with an Insuliner tank lining (-U). Toilet shall be less seat and supply. Toilet shall be Kohler Model K-3481-_____ or K-3481-U -_____.

WELLWORTH®

Optional Accessories

K-9404-L Trip lever - non-CP

PB

Other_____

Technical Information

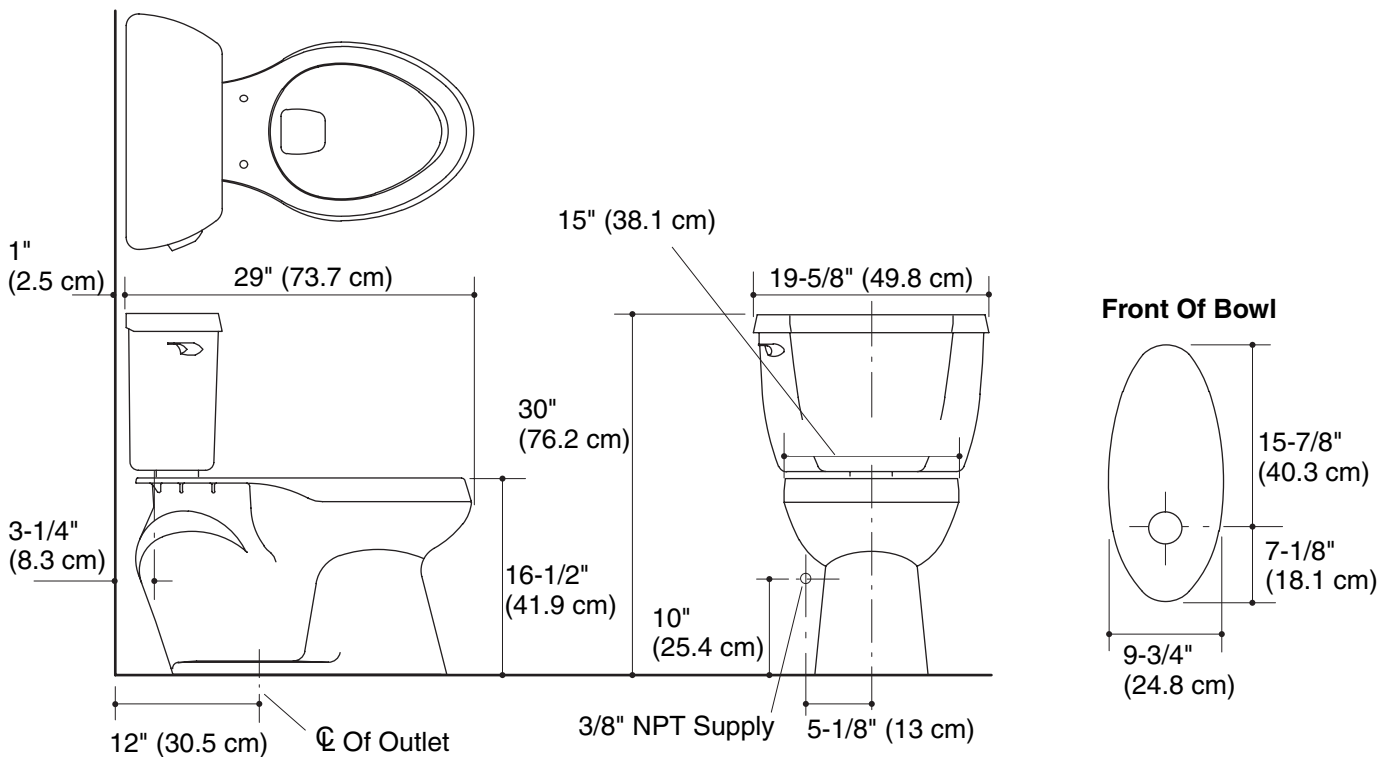
Fixture:	
Configuration	two-piece, elongated
Water per flush	1.6 gal (6 L)
Passageway	2-1/8" (5.4 cm)
Water area	10-1/2" (26.7 cm) x 9-1/4" (23.5 cm)
Water depth from rim	5-1/2" (14 cm)
Seat post hole centers	5-1/2" (14 cm)

Included components:

Bowl	K-4278
Tank	K-4620
Tank cover	84591
Trip lever	42528-CP

Installation Notes

Install this product according to the installation guide.



Product Diagram

WELLWORTH® COMFORT HEIGHT™ TOILET

Page 2 of 2
1014444-4-B

THE BOLD LOOK
OF **KOHLER**®