

### Features

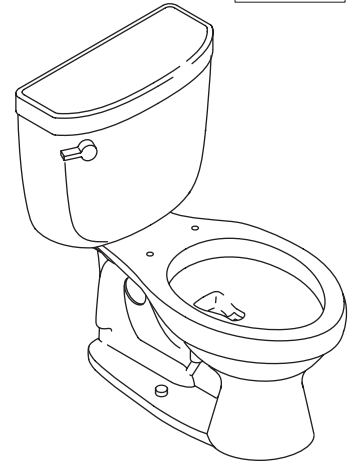
- 12" (30.5 cm) rough-in
- Vitreous china
- Elongated bowl
- Less seat and supply
- Combination toilet
- Class Five™ flushing system
- 2-1/8" (5.4 cm) glazed trapway
- 1.6 gpf (6 lpf) or 1.28 gpf (4.8 lpf)
- 16-1/2" (41.9 cm) high bowl is ADA compliant when an open front seat is installed
- 11-3/4" (29.8 cm) x 9-1/4" (23.5 cm) water area
- 29-3/8" (74.6 cm) x 19" (48.3 cm) x 30-3/4" (78.1 cm)

### COMFORT HEIGHT™ COMBINATION ELONGATED TOILET

# K-3496

## ALSO K-3496-RA, K-3496-HE

ADA



### Codes/Standards Applicable

Specified model meets or exceeds the following:

- ASME A112.19.2
- IAPMO/UPC
- Energy Policy Act of 1992
- CSA B45
- ADA
- CSA International

### Colors/Finishes

- 0: White
- Other: Refer to Price Book for additional colors/finishes

### Accessories

- 0: White
- CP: Polished Chrome
- PB: Vibrant® Polished Brass
- Other: Refer to Price Book for additional colors/finishes

### Specified Model

Model	Description	Trip Lever	Colors/Finishes	
K-3496	Elongated front (left-hand trip lever), 1.6 gpf (6 lpf) or 1.28 gpf (4.8 lpf)	left-hand	<input type="checkbox"/> 0	<input type="checkbox"/> Other_____
K-3496-HE	Elongated front (left-hand trip lever), 1.28 gpf (4.8 lpf)	left-hand	<input type="checkbox"/> 0	<input type="checkbox"/> Other_____
K-3496-RA	Elongated front (right-hand trip lever)	right-hand	<input type="checkbox"/> 0	<input type="checkbox"/> Other_____
K-3496-T	Elongated front, tank lock		<input type="checkbox"/> 0	<input type="checkbox"/> Other_____
K-3496-TR	Elongated front, tank lock (right-hand trip lever)	right-hand	<input type="checkbox"/> 0	<input type="checkbox"/> Other_____

#### Recommended Accessories

K-4664	Brevia™ seat with cover	<input type="checkbox"/> 0		<input type="checkbox"/> Other_____
K-4660	Lustra™ open front toilet seat – for ADA compliant installation	<input type="checkbox"/> 0		<input type="checkbox"/> Other_____
K-7637	3/8" Angle supply with stop		<input type="checkbox"/> CP	<input type="checkbox"/> PB <input type="checkbox"/> Other_____

#### Optional Accessories

K-9466-L	Left-hand trip lever (non-CP)		<input type="checkbox"/> PB	<input type="checkbox"/> Other_____
K-9466-R	Right-hand trip lever (non-CP)		<input type="checkbox"/> PB	<input type="checkbox"/> Other_____
K-9470-L	Left-hand trip lever		<input type="checkbox"/> PB	<input type="checkbox"/> Other_____
K-9470-R	Right-hand trip lever		<input type="checkbox"/> PB	<input type="checkbox"/> Other_____

# CIMARRON™

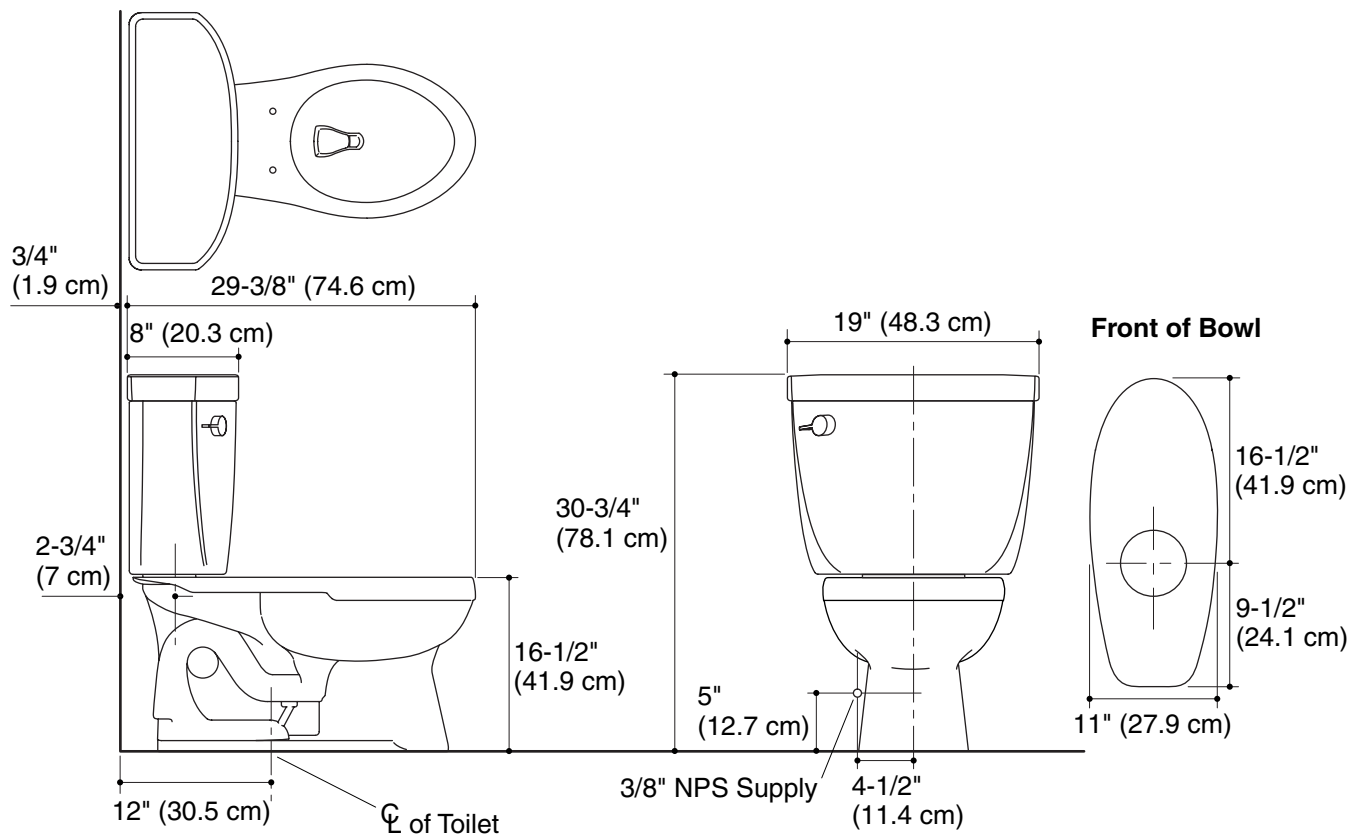
## Technical Information

Fixture:	
Configuration	Two-piece, elongated
Water per flush	1.6 gal (6 L) or 1.28 gal (4.8 L)
Passageway	2-1/8" (5.4 cm)
Water area	11-3/4" (29.8 cm) x 9-1/4" (23.5 cm)
Water depth from rim	5-7/8" (14.9 cm)
Seat post hole centers	5-1/2" (14 cm)

Included components:	
Bowl	K-4286
Tank cover	1015867
Trip lever, left-hand	1059436
Trip lever, right-hand	1036058
Bolt cap accessory pack	1013092
Tank accessory pack	1016548
Tank, left-hand trip lever, 1.6 gpf (6 lpf) or 1.28 gpf (4.8 lpf)	K-4634
Tank, left-hand trip lever, 1.28 gpf (4.8 lpf)	K-4634-HE
Tank, right-hand trip lever, 1.6 gpf (6 lpf) or 1.28 gpf (4.8 lpf)	K-4634-RA

## Installation Notes

Install this product according to the installation guide.



## Product Diagram