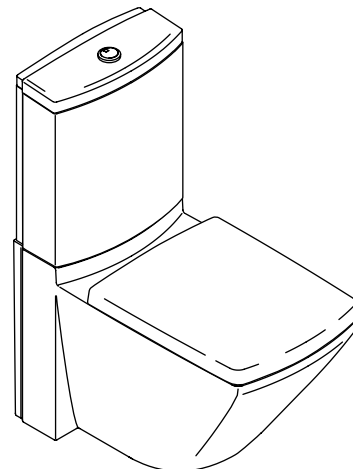


Features

- Vitreous china
- Elongated bowl
- 1.6 gallons (6 L) of water per flush for solid waste and .8 gallons (3 L) of water per flush for liquid waste
- Includes top-mount flush actuator
- Includes seat
- Includes mounting hardware
- Less supply
- European contemporary design
- Complements the Escalé™ suite
- A backup shut-off valve is located in the tank, allowing the water to shut off without moving the toilet.
- 12" (30.5 cm) rough-in (RI)
- 26-15/16" (68.4 cm) x 15-3/8" (39.1 cm) x 32-3/4" (83.3 cm)

TWO-PIECE TOILET K-19796



Codes/Standards Applicable

Specified model meets or exceeds the following:

- None applicable

Colors/Finishes

- 0: White
- 47: Almond
- Other: Refer to Price Book for additional colors/finishes

Specified Model

Model	Description	Colors/Finishes		
K-19796	Two-piece toilet	<input type="checkbox"/> 0	<input type="checkbox"/> 47	<input type="checkbox"/> Other _____

Product Specification:

The vitreous china two-piece toilet shall be 26-15/16" (68.4 cm) in length, 15-3/8" (39.1 cm) in width, and 32-3/4" (83.3 cm) in height. Toilet shall feature dual flush option of 1.6 gpf (6 lpf) for solid waste or .8 gpf (3 lpf) for liquid waste. Toilet shall feature an elongated bowl. Toilet shall include a top-mount flush actuator, seat, and mounting hardware. Toilet shall be for 12" (30.5 cm) rough-in. Toilet shall be less supply. Toilet shall have a European contemporary design and complement the Escalé™ Suite. Toilet shall be Kohler Model K-19796-_____.

ESCALE™

Technical Information

Fixture*:	
Configuration	two-piece
Water per flush	1.6 gpf (6 lpf) or .8 gpf (3 lpf)
Water depth from rim	9-3/4" (24.8 cm)
Seat post hole centers	6-1/4" (15.9 cm)
Minimum static pressure required	20 psi (137 kPa)
Maximum static pressure	80 psi (551 kPa)
*Approximate measurements for comparison only.	

Included components:	
Seat	E1417
S-Trap waste fitting	1070830
Mounting hardware	E5511-NF
Mounting template	1062114-7
Bowl	K-19038
Tank	K-19039

Installation Notes

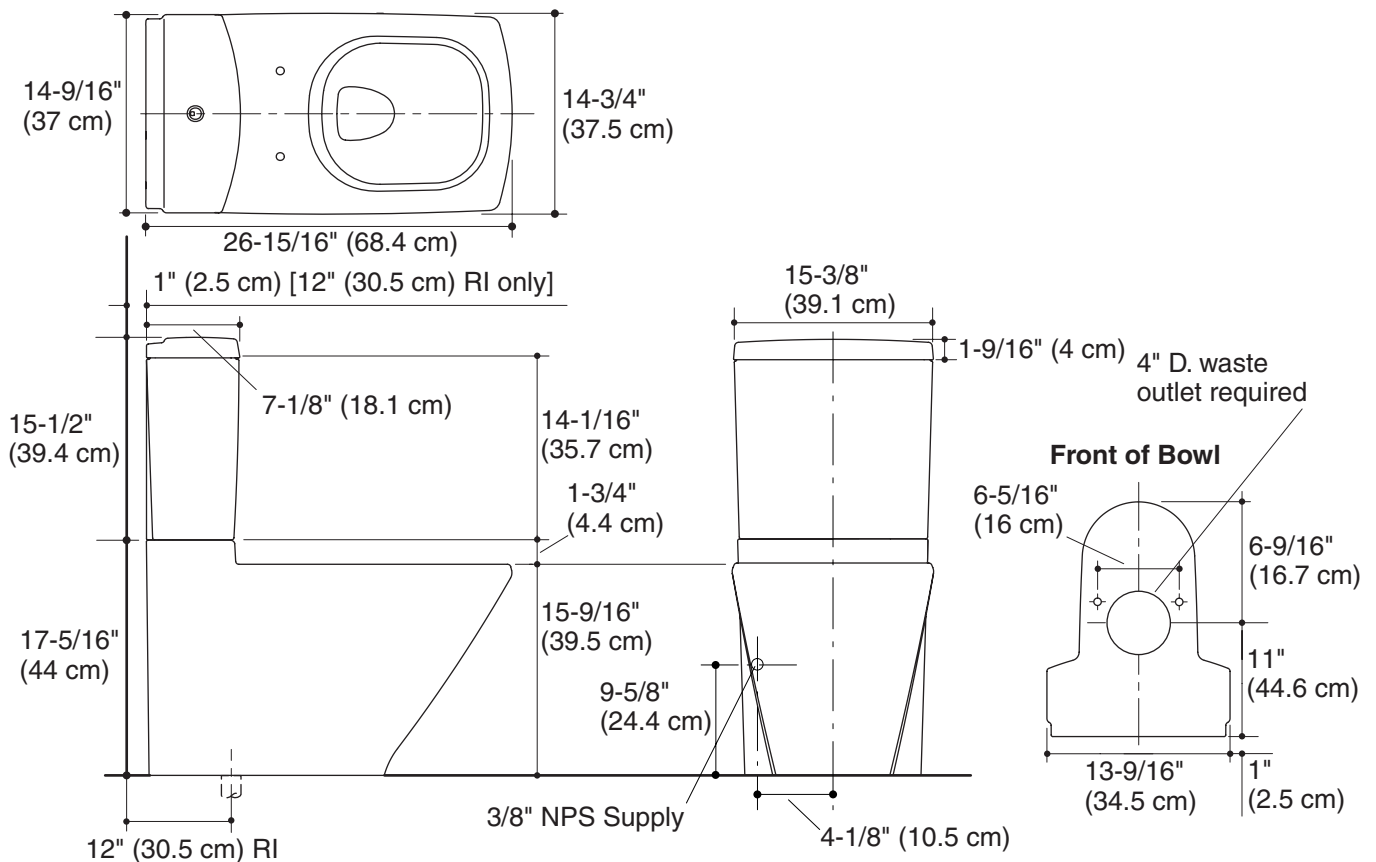
A 4" D. waste outlet is required for this installation.

A 1" (2.5 cm) gap between the toilet and the wall is required.

A flange is not required for installation of this product. If this installation will be to new construction, do not install a flange on the waste outlet.

This toilet is secured to the floor using supplied floor anchors and bolts. If your flooring is thin Oriented Strand Board (OSB) or a similar flooring material, it is recommended that 1/2" plywood be attached to the bottom of the subfloor at the anchor positions for additional support.

Install this product according to the installation guide.



Product Diagram