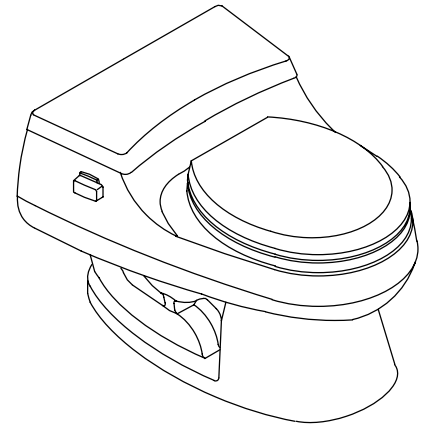


Features

- 12" (30.5 cm) rough-in
- Vitreous china
- One-piece
- Round front
- EPDM flapper
- Less supply
- 1.6 gpf (6 lpf)
- Gravity Lite™ system
- Brass supply shank
- Includes French Curve™ seat
- Includes polished chrome metal trip lever
- 8-1/2" (21.6 cm) x 8-1/2" (21.6 cm) water area



Codes/Standards Applicable

Specified model meets or exceeds the following:

- ASME A112.19.2
- ASME A112.19.6
- Energy Policy Act of 1992 (EPACT)
- IAPMO/UPC
- Listed in States of Massachusetts, New York, and Texas
- Listed in City of Los Angeles, CA

Colors/Finishes

- 0: White
- Other: Refer to Price Book for additional colors/finishes

Accessories:

- CP: Polished Chrome
- PB: Polished Brass
- Other: Refer to Price Book for additional colors/finishes

Specified Model

Model	Description	Colors/Finishes		
K-3386	Round front bowl toilet	<input type="checkbox"/> 0 White	<input type="checkbox"/> Other_____	
Recommended Accessories				
K-7637	Angle supply with stop	<input type="checkbox"/> CP	<input type="checkbox"/> PB	<input type="checkbox"/> Other_____
Optional Accessories				
K-9430	Trip lever (non-CP)	<input type="checkbox"/> PB	<input type="checkbox"/> Other_____	

Product Specification:

The round front one-piece compact toilet shall be 12" (30.5 cm) rough-in. Toilet shall be made of vitreous china. Toilet shall have 8-1/2" (21.6 cm) x 8-1/2" (21.6 cm) water area. Toilet shall have Kohler Gravity Lite™ system. Toilet shall have dual overflow system. Toilet shall have EPDM flapper. Toilet shall have a brass supply shank. Toilet shall include French Curve™ seat. Toilet shall be less supply. Toilet shall be 1.6 gpf (6 lpf). Toilet shall include polished chrome trip lever. Toilet shall be Kohler Model K-3386-_____.

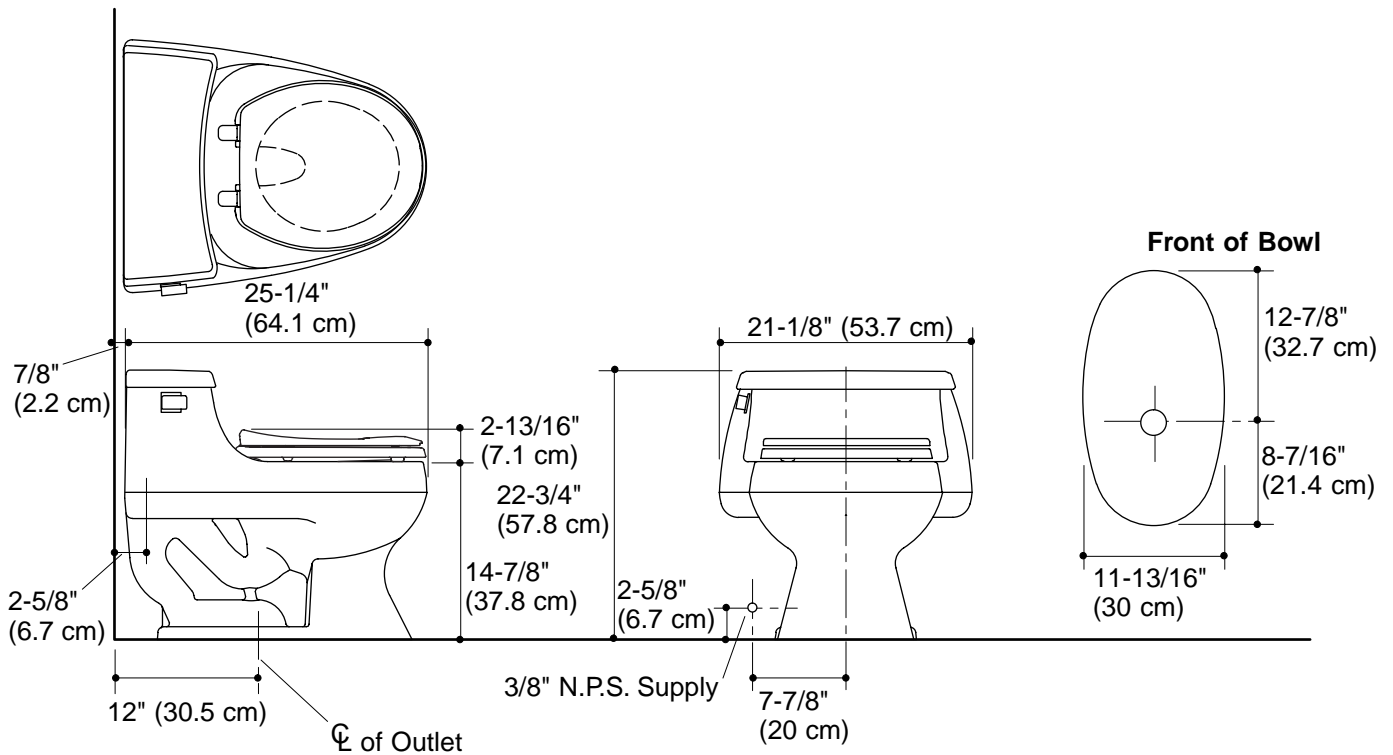
RIALTO™

Technical Information

Fixture:	
Configuration	1-piece, round front
Water per flush	1.6 gallons (6 L)
Passageway	2" (5.1 cm)
Water area	8-1/2" (21.6 cm) x 8-1/2" (21.6 cm)
Water depth from rim	6-1/16" (15.4 cm)
Seat post hole centers	5-1/2" (14 cm)
Included components:	
Seat	K-4663
Tank cover	84252
Trip lever	K-9430
Bolt cap accessory pack	52048
Tank accessory pack	84301

Installation Notes

Install this product according to the installation guide.



Product Diagram