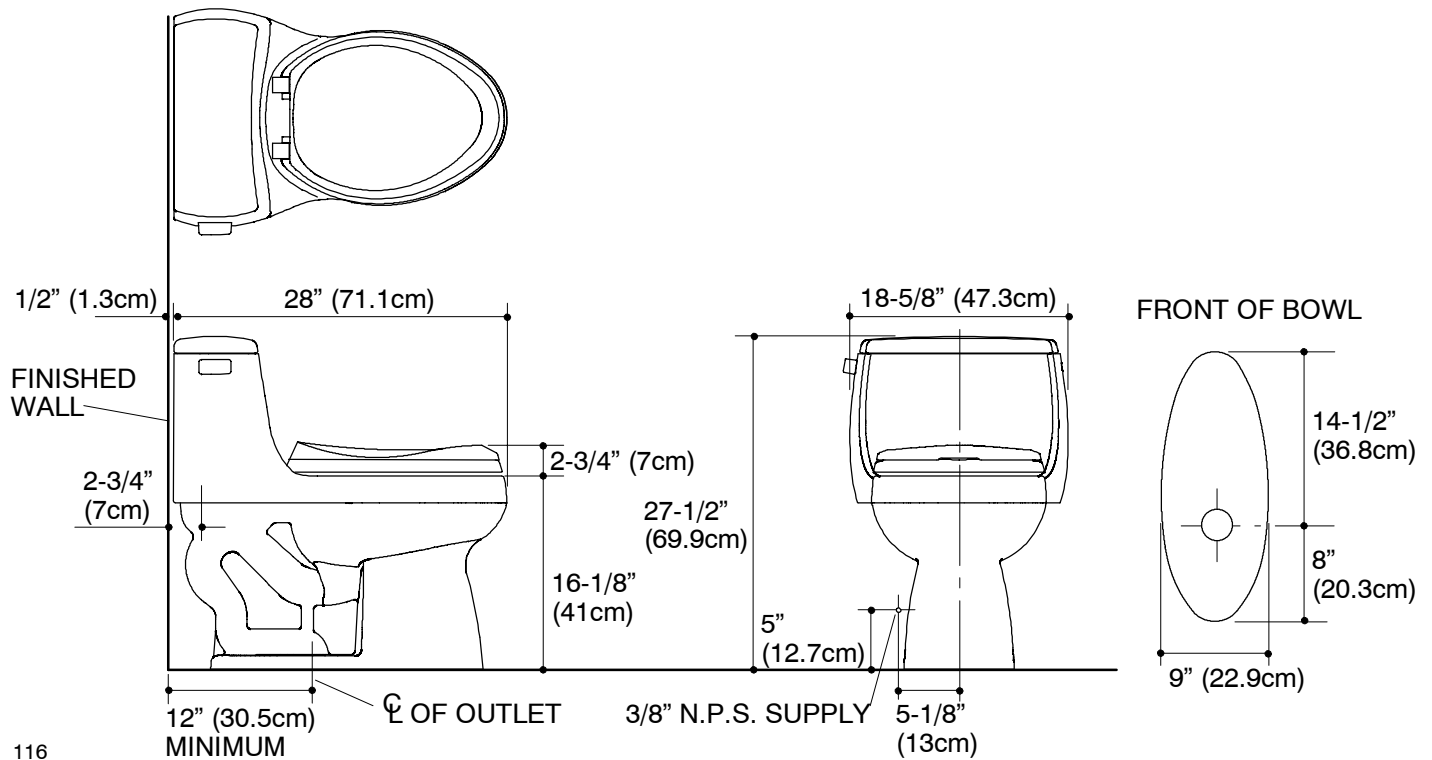


Product Information

ADA compliant.	
Fixture:	
Configuration	1-piece, compact elongated
Water per flush	1.6 gallons (6L)
Passageway	2" (5cm)
Water area	10-1/2" (26.7cm) x 9-1/4" (23.5cm)
Water depth from rim	5" (12.7cm)
Seat post hole centers	5-1/2" (14cm)
Included Components:	
Seat	K-4653
Tank cover	85407
Trip lever	K-9464
Bolt cap accessory pack	52048
Tank accessory pack	52265

Installation Notes

Install this product according to the installation guide.
Fixture dimensions are nominal and conform to tolerances in ASME Standard A112.19.2M.



116