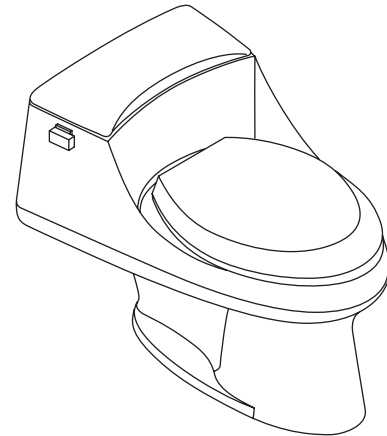


ROUND-FRONT TOILET K-3467

Features

- One-piece
- Vitreous china
- 1.6 gpf (6 lpf)
- 2" (5.1 cm) glazed trapway
- 12" (30.5 cm) rough-in
- Concealed trapway
- Ingenium® flushing system
- Includes polished chrome trip lever
- Includes French Curve™ seat and cover
- Less supply
- Round-front
- 10-5/8" (27 cm) x 8-5/8" (21.9 cm) water area
- 25-7/8" (65.7 cm) x 21-3/8" (54.3 cm) x 23-1/2" (59.2 cm)



Codes/Standards Applicable

Specified model meets or exceeds the following:

- ASME A112.19.2
- IAPMO/UPC
- Energy Policy Act of 1992
- CSA International
- CSA B45.0
- CSA B45.1

Colors/Finishes

- 0: White
- Other: Refer to Price Book for additional colors/finishes

Accessories

- CP: Polished Chrome
- PB: Vibrant® Polished Brass
- Other: Refer to Price Book for additional colors/finishes

Specified Model

Model	Description	Colors/Finishes		
K-3467	Round-front bowl toilet	<input type="checkbox"/> 0	<input type="checkbox"/> Other_____	
Recommended Accessories				
K-7637	Angle supply with stop – 3/8" NPT	<input type="checkbox"/> CP	<input type="checkbox"/> PB	<input type="checkbox"/> Other_____
Optional Accessories				
K-9453	Trip lever - non-CP	<input type="checkbox"/> PB	<input type="checkbox"/> Other_____	

Product Specification

The round-front one-piece toilet shall be made of vitreous china. The toilet shall be 25-7/8" (65.7 cm) in length, 21-3/8" (54.3 cm) in width, and 23-1/2" (59.2 cm) in height with 10-5/8" (27 cm) x 8-5/8" (21.9 cm) water area. The toilet shall be 12" (30.5 cm) rough-in. The toilet shall have concealed trapway. The toilet shall be 1.6 gpf (6 lpf) with Kohler Ingenium® flushing system. The toilet shall include polished chrome trip lever, and French Curve™ seat. The toilet shall be less supply. The toilet shall be Kohler Model K-3467-_____.

SAN RAPHAEL™

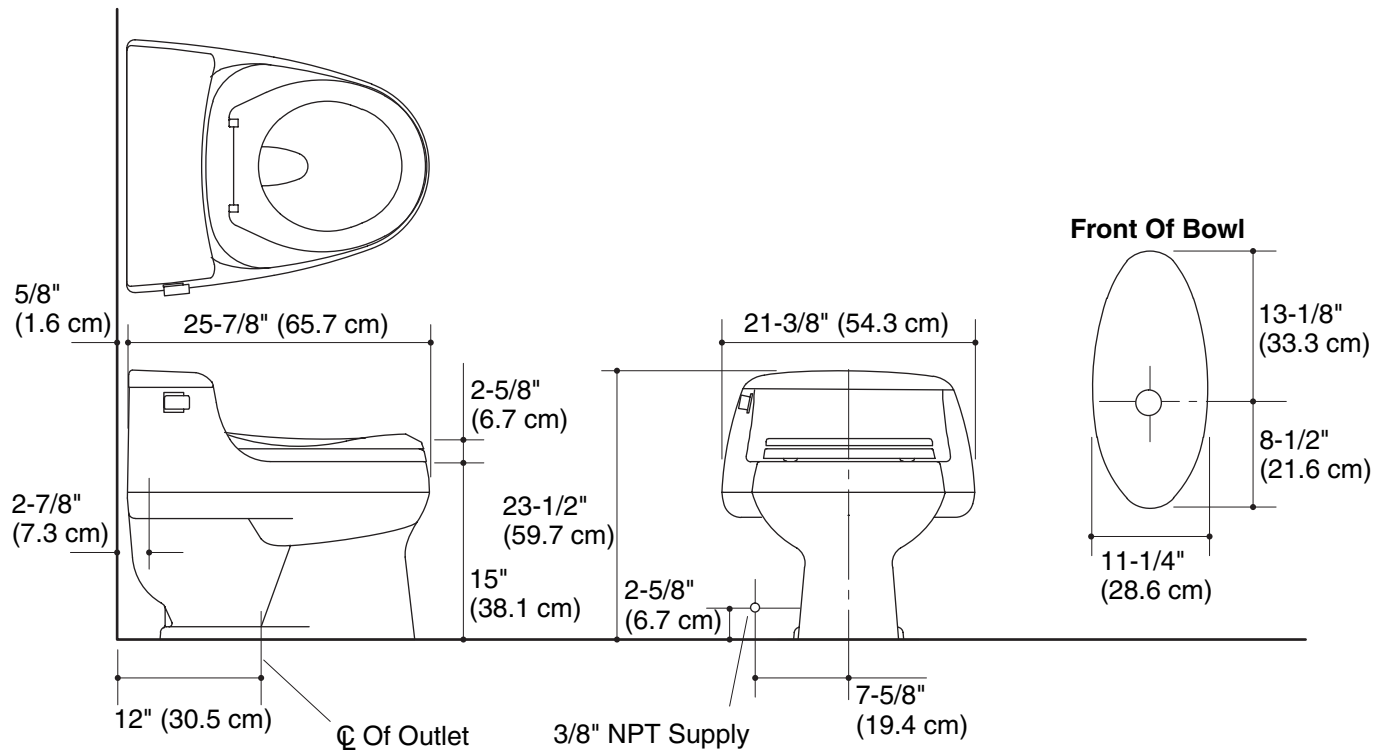
Technical Information

Fixture:	
Configuration	one-piece, round-front
Water per flush	1.6 gal (6 L)
Passageway	2" (5.1 cm)
Water area	10-5/8" (27 cm) x 8-5/8" (21.9 cm)
Water depth from rim	5-3/8" (13.7 cm)
Seat post hole centers	5-1/2" (14 cm)

Included components:	
Seat	K-4663
Tank cover	1010702
Trip lever	1013521
Bolt cap accessory pack	1013092
Tank accessory pack	52265

Installation Notes

Install this product according to the installation guide.



Product Diagram