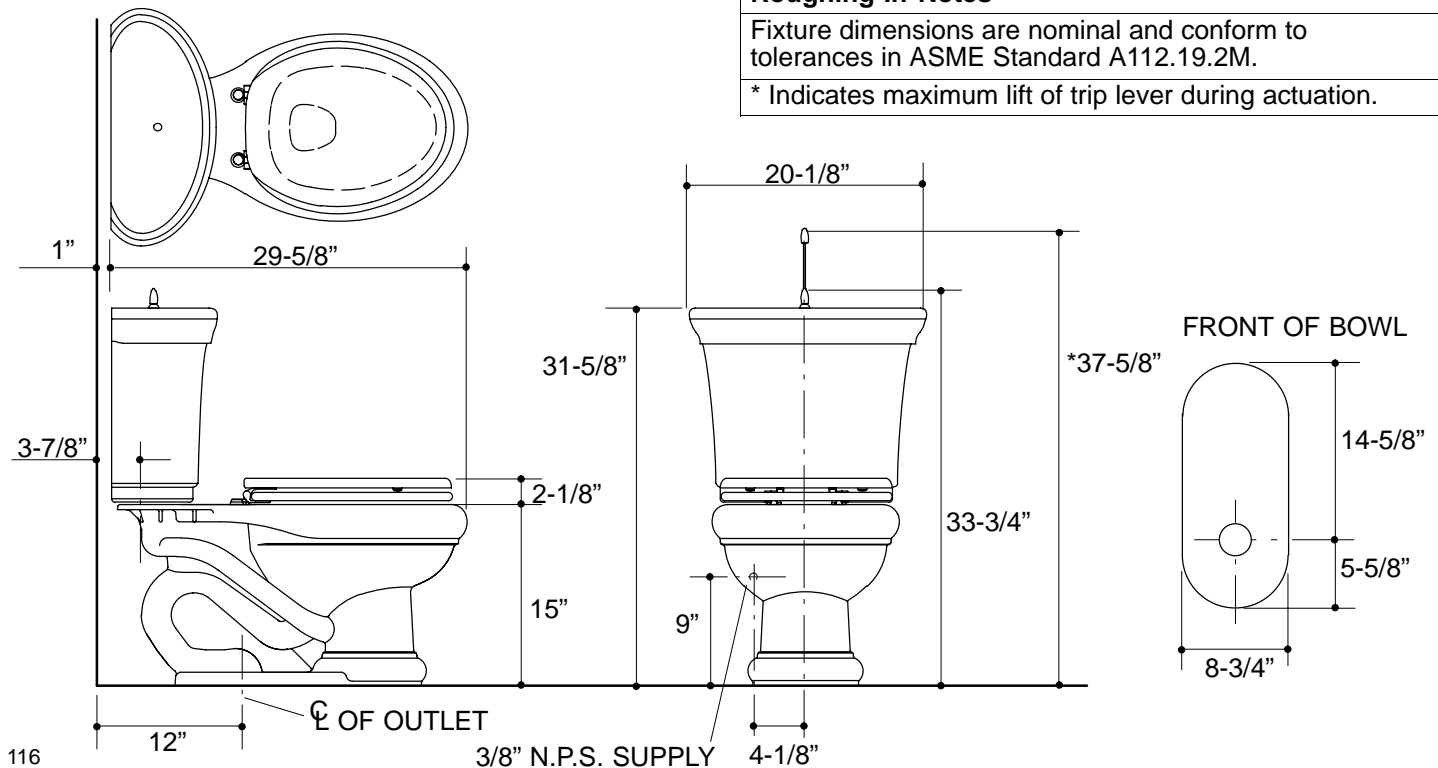


Ordering Information

Applicable toilet:		
Standard tank with Sunwash maple seat	K-3456-F1	shown
Standard tank with Black Forest maple seat	K-3456-F2	shown
Insulined tank with Sunwash maple seat	K-3456-U1	not shown
Insulined tank with Black Forest maple seat	K-3456-U2	not shown
Accessories/hardware:		
3/8" supply	K-7637	recommended
Floor bolts (pr.)	21401	recommended

Product Information

Fixture:	
Configuration	2-piece, elongated
Gallons per flush	1.6 gallons
Passageway	2"
Water area	10-1/4" x 9-1/8"
Water depth from rim	6-1/2"
Seat post hole centers	5-1/2"
Included Components:	
Bowl	K-4355
Tank	K-4401
Tank cover	89970
Seat	K-4622
Bolt cap accessory pack	52048
Lift knob flush actuator	K-9444
Tank accessory pack	52153



Roughing-In Notes

Fixture dimensions are nominal and conform to tolerances in ASME Standard A112.19.2M.

* Indicates maximum lift of trip lever during actuation.