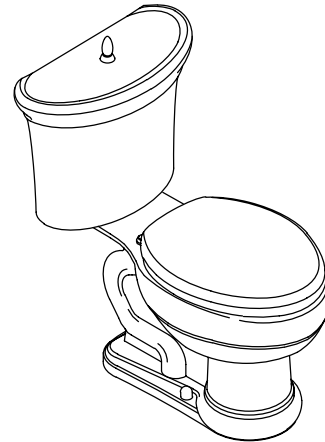


FEATURES

- 12" rough-in
- Elongated bowl
- Combination toilet
- Vitreous china
- 10-1/4" x 9-1/8" water area
- 2" glazed trapway
- Includes maple seat and cover in Sunwash or Black Forest finish
- Includes polished chrome lift knob and satin chrome flange
- Less supply
- 1.6 gpf
- With Insuliner® insulated tank lining (-U)



CODES/STANDARDS APPLICABLE

Specified model meets or exceeds the following:

- ASME/ANSI A112.19.2M
- ASME/ANSI A112.19.6M
- Energy Policy Act of 1992 (EPACT)

COLORS/FINISHES

- 0 White
- Other Refer to Fixtures Price Book for additional colors

Accessories:

- CP Polished Chrome
- Other Refer to Price Book for additional colors

SPECIFIED MODEL:

Model	Description	Colors/Finishes	
K-3456-F1	Elongated bowl toilet with Sunwash maple seat	<input type="checkbox"/> 0 White	<input type="checkbox"/> Other_____
K-3456-F2	Elongated bowl toilet with Black Forest maple seat	<input type="checkbox"/> 0 White	<input type="checkbox"/> Other_____
K-3456-U1	Elongated bowl toilet with Sunwash maple seat and insuliner	<input type="checkbox"/> 0 White	<input type="checkbox"/> Other_____
K-3456-U2	Elongated bowl toilet with Black Forest maple seat and insuliner	<input type="checkbox"/> 0 White	<input type="checkbox"/> Other_____

Recommended Accessories				
K-7637	3/8" angle supply with stop	<input type="checkbox"/> CP	<input type="checkbox"/> PB	<input type="checkbox"/> Other_____

PRODUCT SPECIFICATION:

The elongated toilet combination shall be 12" rough-in. Toilet shall be made of vitreous china. Toilet shall have 10-1/4" x 9-1/8" water area. Toilet shall have 2" glazed trapway. Toilet shall include maple seat and cover in either Sunwash or Black Forest finish. Toilet shall include polished chrome lift knob and satin chrome flange. Toilet shall be less supply. Toilet shall be 1.6 gpf. Toilet shall have Insuliner® insulated tank lining (-U). Toilet shall be Kohler Model K-3456-_____-_____.

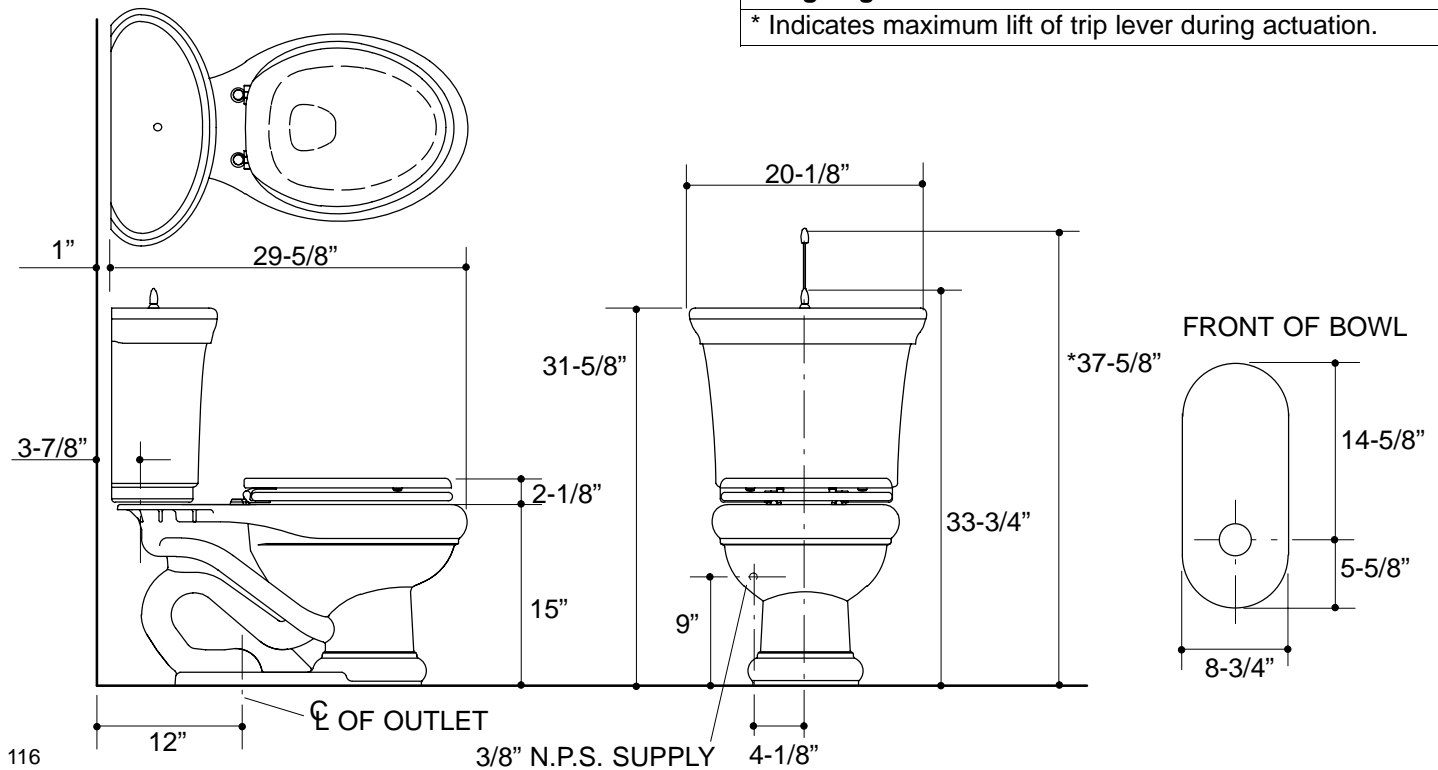
IRON WORKS TELLIEUR™

PRODUCT INFORMATION

Fixture:	
Configuration	2-piece, elongated
Gallons per flush	1.6 gallons
Passageway	2"
Water area	10-1/4" x 9-1/8"
Water depth from rim	6-1/2"
Seat post hole centers	5-1/2"
Included Components:	
Bowl	K-4355
Tank	K-4401
Tank cover	89970
Seat	K-4622
Bolt cap accessory pack	52048
Lift knob flush actuator	K-9444
Tank accessory pack	52153

Roughing-In Notes

* Indicates maximum lift of trip lever during actuation.



PRODUCT DIAGRAM