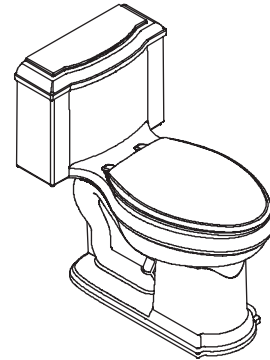


COMFORT HEIGHT™ TOILET K-3488

ADA

Features

- Vitreous china
- 2" (5.1 cm) glazed trapway
- 1.6 gpf (6 lpf)
- 12" (30.5 cm) rough-in
- Ingenium® flushing system
- Includes polished chrome trip lever
- Less supply
- Elongated bowl
- 16-1/4" (41.3 cm) high bowl is ADA compliant when an open-front seat is installed
- One-piece, compact
- 27-3/4" (70.5 cm) x 17-1/8" (43.5 cm) x 28-1/4" (71.8 cm)



Codes/Standards Applicable

Specified model meets or exceeds the following:

- ADA
- ASME A112.19.2
- Energy Policy Act of 1992
- CSA International
- CSA B45.0
- CSA B45.1

Colors/Finishes

- 0: White
- Other: Refer to Price Book for additional colors/finishes

Accessories

- 0: White
- CP: Polished Chrome
- PB: Vibrant® Polished Brass
- Other: Refer to Price Book for additional colors/finishes

Specified Model

Model	Description	Trip Lever	Colors/Finishes	
K-3488	Elongated bowl toilet with tank	right-hand	<input type="checkbox"/> 0	<input type="checkbox"/> Other_____
Recommended Accessories				
K-7637	Angle supply with stop – 3/8" NPT		<input type="checkbox"/> CP	<input type="checkbox"/> PB <input type="checkbox"/> Other_____
Optional Accessories				
K-4650	Lustra™ open-front toilet seat for ADA compliance		<input type="checkbox"/> 0	<input type="checkbox"/> Other_____
K-9462	Trip lever - non-CP		<input type="checkbox"/> PB	<input type="checkbox"/> Other_____

Product Specification

The one-piece, compact toilet with elongated bowl shall be made of vitreous china. The toilet shall be 27-3/4" (70.5 cm) in length, 17-1/8" (43.5 cm) in width, and 28-1/4" (71.8 cm) in height. The toilet shall be 12" (30.5 cm) rough-in. The toilet shall be 1.6 gpf (6 lpf) with Ingenium flushing system. The toilet shall have 2" (5.1 cm) glazed trapway. The toilet shall include polished chrome trip lever. The toilet shall feature a 16-1/8" (41 cm) high bowl which is ADA compliant when an open-front seat is installed. The toilet shall be less supply. The toilet shall be Kohler Model K-3488-_____.

DEVONSHIRE®

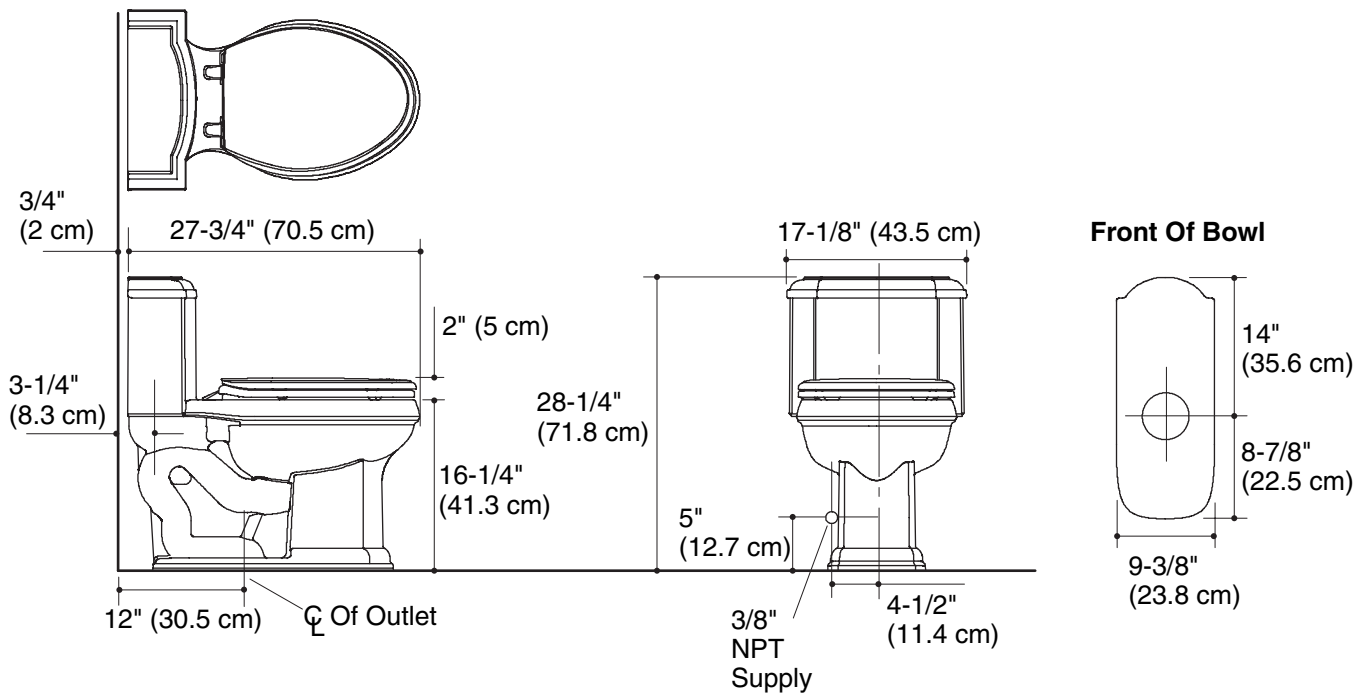
Technical Information

Fixture:	
Configuration	one-piece, compact elongated
Water per flush	1.6 gal (6 L)
Passageway	2" (5.1 cm)
Water area	10-3/4" (27.3 cm) x 9" (22.9 cm)
Water depth from rim	6" (15.2 cm)
Seat post hole centers	5-1/2" (14 cm)

Included components:	
Closed front seat and cover	K-4733
Tank cover	1021921
Trip lever	1031599-CP
Bolt cap accessory pack	1013092
Tank accessory pack	52265

Installation Notes

Install this product according to the installation guide.



Product Diagram