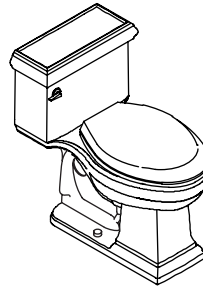


Features

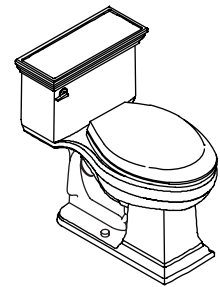
- Vitreous china
- One-piece
- 2-1/8" (5.4 cm) glazed trapway
- Includes seat and cover
- Class Five™ flushing system
- 1.6 gpf (6 lpf) or 1.4 gpf (5.3 lpf)
- 12" (30.5 cm) rough-in
- 16-1/8" (41 cm) high bowl is ADA compliant when an open front seat is installed
- 27-3/4" (70.5 cm) x 17-1/2" (44.5 cm) x 28-3/8" (72.1 cm) [K-3451]
- 27-3/4" (70.5 cm) x 18-1/4" (46.4 cm) x 28-1/8" (72.1 cm) [K-3453]
- 10-3/4" (27.3 cm) x 8-1/4" (21 cm) water area

COMFORT HEIGHT™ TOILET K-3451 ALSO K-3453

ADA



K-3451



K-3453

Codes/Standards Applicable

Specified model meets or exceeds the following:

- ASME A112.19.2
- Energy Policy Act of 1992
- IAPMO/UPC
- CSA International
- CSA B45.0
- CSA B45.1
- ADA

Colors/Finishes

- 0: White
- Other: Refer to Price Book for additional colors/finishes

Accessories:

- CP: Polished Chrome
- PB: Polished Brass
- Other: Refer to Price Book for additional colors/finishes

Specified Model

Model	Description	Colors/Finishes	
K-3451	Elongated bowl toilet, classic design	<input type="checkbox"/> 0	<input type="checkbox"/> Other_____
K-3453	Elongated bowl toilet, stately design	<input type="checkbox"/> 0	<input type="checkbox"/> Other_____

Recommended Accessories				
K-7637	3/8" NPT angle supply with four-arm handles stop and annealed vertical tube	<input type="checkbox"/> CP	<input type="checkbox"/> PB	<input type="checkbox"/> Other_____

Optional Accessories				
K-502	Memoirs toilet trip lever	<input type="checkbox"/> CP	<input type="checkbox"/> PB	<input type="checkbox"/> Other_____
K-4650	Lustra™ elongated open front toilet seat – for ADA compliant installation	<input type="checkbox"/> 0	<input type="checkbox"/> PB	<input type="checkbox"/> Other_____
K-9477	Trip lever, non-CP	<input type="checkbox"/> PB	<input type="checkbox"/> Other_____	

Product Specification:

The elongated one-piece toilet shall be made of vitreous china. Toilet shall be 27-3/4" (70.5 cm) x 17-1/2" (44.5 cm) x 28-3/8" (72.1 cm) [K-3451] or 27-3/4" (70.5 cm) x 18-1/4" (46.4 cm) x 28-1/8" (72.1 cm) [K-3453]. Toilet shall be 1.6 gpf (6 lpf) or 1.4 gpf (5.3 lpf), with Class 5™ flushing system. Toilet shall feature a 10-3/4" (27.3 cm) x 8-1/4" (21 cm) water area, 12" (30.5 cm) rough-in, and 2-1/8" (5.4 cm) glazed trapway. Toilet shall feature a 16-1/8" (41 cm) high bowl which is ADA compliant when an open front seat is installed. Toilet shall include seat and cover. Toilet shall be Kohler Model K-_____-_____.

MEMOIRS®

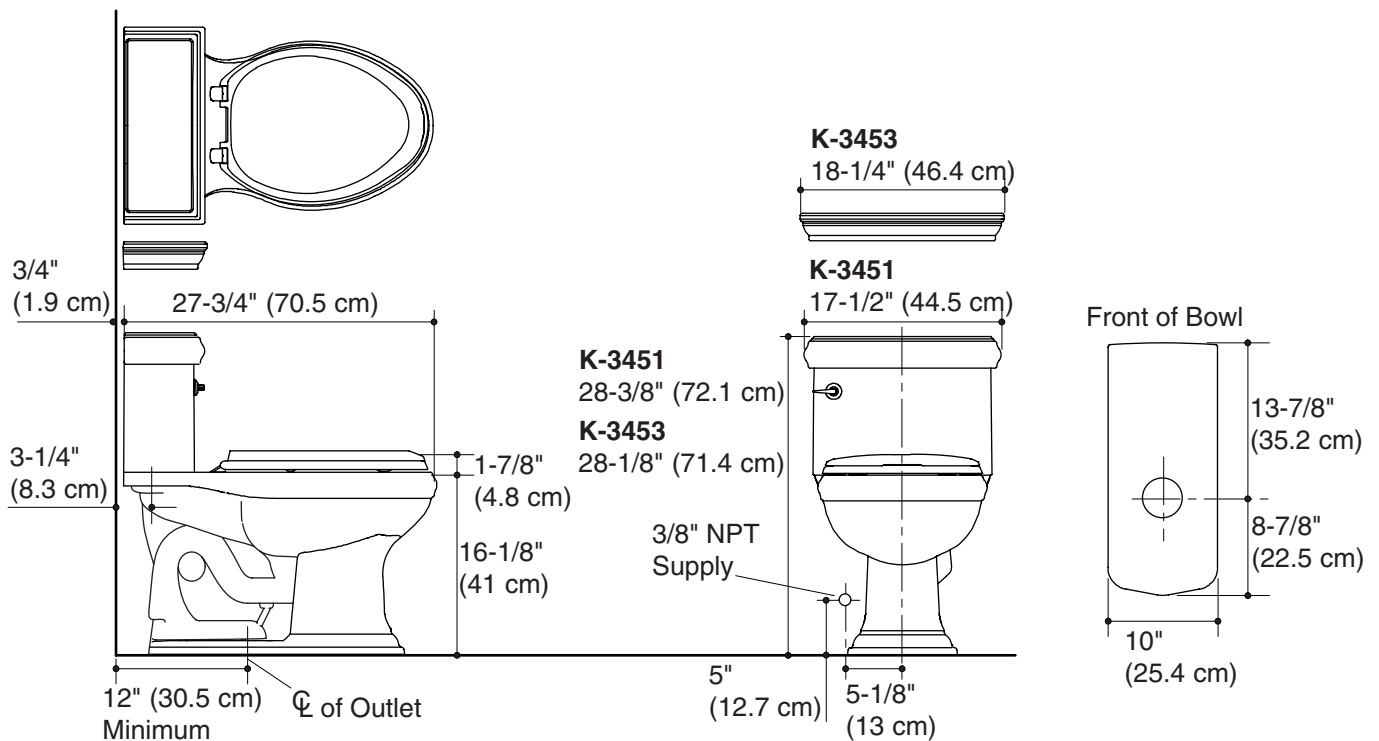
Technical Information

Fixture:	
Configuration	one-piece, compact elongated
Water per flush	1.6 gal (6 L) or 1.4 gal (5.3 L)
Passageway	2-1/8" (5.4 cm)
Water area	10-3/4" (27.3 cm) x 8-1/4" (21 cm)
Water depth from rim	6" (15.2 cm)
Seat post hole centers	5-1/2" (14 cm)

Included components:	
Closed front seat with cover	K-4733
Tank cover – classic design OR	88871
Tank cover – stately design	88872
Trip lever	K-9477
Bolt cap accessory pack	52048
Tank accessory pack	52265

Installation Notes

Install this product according to the installation guide.



Product Diagram