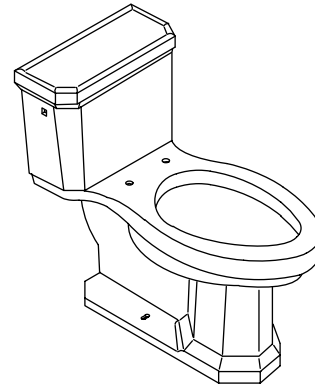


### Features

- Vitreous china
- One-piece
- Less supply
- EPDM flapper
- Elongated bowl
- 1.6 gpf (6 lpf)
- 2" (5.1 cm) glazed trapway
- Comfort Height™
- 12" (30.5 cm) rough-in
- Excludes seat, cover, and trip lever
- 16-1/8" (41 cm) high bowl with seat is ADA compliant
- 10-1/2" (26.7 cm) x 9" (22.9 cm) water area



### Codes/Standards Applicable

Specified model meets or exceeds the following:

- ADA
- ASME A112.19.6
- ASME A112.19.2
- Energy Policy Act of 1992 (EPACT)
- IAPMO/UPC
- CSA B45

### Colors/Finishes

- 0: White
- Other: Refer to Price Book for additional colors/finishes

### Accessories:

- CP: Polished Chrome
- PB: Polished Brass
- Other: Refer to Price Book for additional colors/finishes

### Specified Model

| Model                          | Description  | Colors/Finishes             |                                     |                                     |                                      |                                     |                             |
|--------------------------------|--|-----------------------------|-------------------------------------|-------------------------------------|--------------------------------------|-------------------------------------|-----------------------------|
| K-3324                         | Elongated bowl toilet  | <input type="checkbox"/> 0  | <input type="checkbox"/> Other_____ |                                     |                                      |                                     |                             |
| <b>Recommended Accessories</b> |  |                             |                                     |                                     |                                      |                                     |                             |
| K-7637                         | 3/8" angle supply with stop  | <input type="checkbox"/> CP | <input type="checkbox"/> PB         | <input type="checkbox"/> Other_____ |                                      |                                     |                             |
| <b>Optional Accessories</b>    |  |                             |                                     |                                     |                                      |                                     |                             |
| K-9451                         | Trip lever   | <input type="checkbox"/> CP | <input type="checkbox"/> SN         | <input type="checkbox"/> BN         | <input type="checkbox"/> AF          | <input type="checkbox"/> Other_____ |                             |
| K-9438                         | Trip lever, alternate option                                       | <input type="checkbox"/> CP | <input type="checkbox"/> SN         | <input type="checkbox"/> BN         | <input type="checkbox"/> AF          | <input type="checkbox"/> Other_____ |                             |
| K-4701                         | Kathryn elongated closed toilet seat                               | <input type="checkbox"/> 0  | <input type="checkbox"/> 7          | <input type="checkbox"/> 96         | <input type="checkbox"/> NG          | <input type="checkbox"/> KP         | <input type="checkbox"/> KW |
|                                | Hinge finish   |                             |                                     | <input type="checkbox"/> CP         | <input type="checkbox"/> SN          | <input type="checkbox"/> BN         | <input type="checkbox"/> AF |
| K-4684                         | Glenbury™ elongated closed toilet seat (use for additional colors) | <input type="checkbox"/> 0  |                                     |                                     | <input type="checkbox"/> Other _____ |                                     |                             |

### Product Specification:

The elongated one-piece compact toilet shall be 12" (30.5 cm) rough-in. Toilet shall be made of vitreous china. Toilet shall be at comfort height. Toilet shall be 1.6 gpf (6 lpf). Toilet shall have 2" (5.1 cm) glazed trapway. Toilet shall have 10-1/2" (26.7 cm) x 9" (22.9 cm) water area. Toilet shall exclude seat, cover, and trip lever. Toilet shall be ADA compliant with 16-1/8" (41 cm) high bowl. Toilet shall be less supply. Toilet shall have EPDM flapper. Toilet shall be Kohler Model K-3324-\_\_\_\_\_.

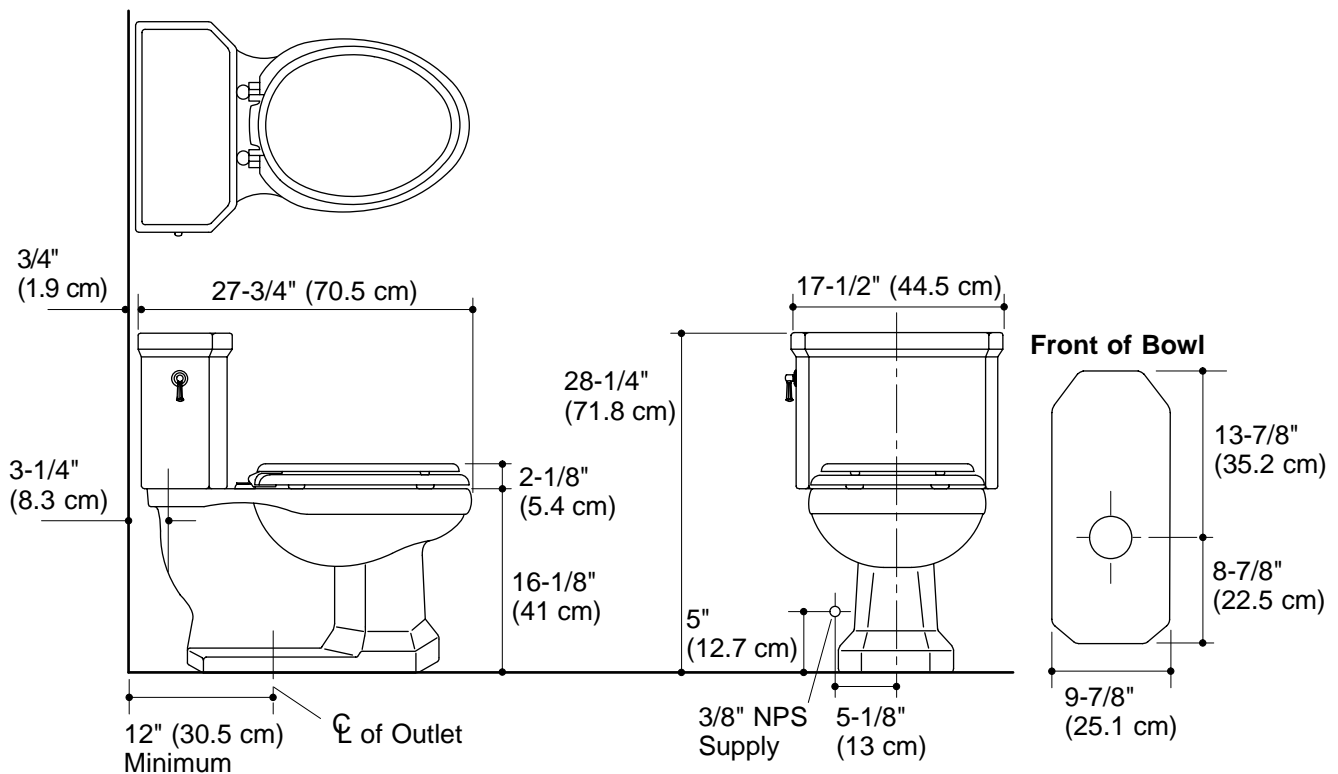
# KATHRYN® COMFORT HEIGHT™

## Technical Information

|                         |                                  |
|-------------------------|----------------------------------|
| Fixture:                |                                  |
| Configuration           | 1-piece, compact elongated       |
| Water per flush         | 1.6 gallons (6 L)                |
| Passageway              | 2" (5.1 cm)                      |
| Water area              | 10-1/2" (26.7 cm) x 9" (22.9 cm) |
| Water depth from rim    | 6" (15.2 cm)                     |
| Seat post hole centers  | 5-1/2" (14 cm)                   |
| Included Components:    |                                  |
| Tank cover              | 1006066                          |
| Bolt cap accessory pack | 1013092                          |
| Tank accessory pack     | 52265                            |

## Installation Notes

Install this product according to the installation guide.



## Product Diagram