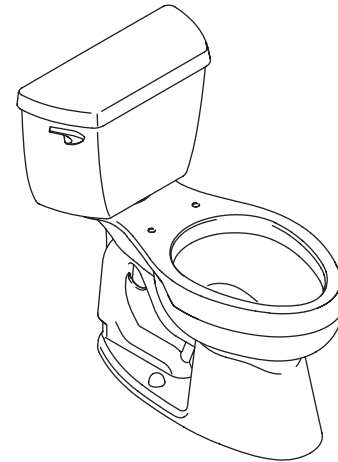


### CLASS FIVE™ TOILET K-3611

ADA

#### Features

- 12" (30.5 cm) rough-in
- Vitreous china
- Class Five™ flushing system
- 2-1/8" (5.4 cm) glazed trapway
- 1.6 gpf (6 lpf) or 1.28 gpf (4.8 lpf)
- Less seat and supply
- Elongated bowl
- 17" (43.2 cm) high bowl is ADA compliant when an open front seat is installed
- 11-1/2" (29.2 cm) x 8-3/4" (22.2 cm) water area
- 29-1/2" (74.9 cm) x 19-5/8" (49.8 cm) x 30-3/8" (77.2 cm)



#### Codes/Standards Applicable

Specified model meets or exceeds the following:

- ADA
- ASME A112.19.2
- IAPMO/UPC
- CSA International
- CSA B45
- ICC/ANSI A117.1

#### Colors/Finishes

- 0: White
- Other: Refer to Price Book for additional colors/finishes

#### Accessories:

- 0: White
- CP: Polished Chrome
- PB: Vibrant® Polished Brass
- Other: Refer to Price Book for additional colors/finishes

#### Specified Model

Model	Description	Colors/Finishes	
K-3611	Elongated bowl toilet	<input type="checkbox"/> 0	<input type="checkbox"/> Other_____
K-3611-T	Toilet with tank cover locks	<input type="checkbox"/> 0	<input type="checkbox"/> Other_____

Recommended Accessories					
K-4650	Lustra™ open front elongated seat - for ADA compliant installation	<input type="checkbox"/> 0			<input type="checkbox"/> Other_____
K-4653	French Curve™ seat with cover	<input type="checkbox"/> 0			<input type="checkbox"/> Other_____
K-4664	Brevia™ seat with cover	<input type="checkbox"/> 0			<input type="checkbox"/> Other_____
K-7637	3/8" angle supply with stop		<input type="checkbox"/> CP	<input type="checkbox"/> PB	<input type="checkbox"/> Other_____

#### Product Specification

The toilet with elongated bowl shall be made of vitreous china. The toilet shall be 29-1/2" (74.9 cm) in length, 19-5/8" (49.8 cm) in width, and 30-3/8" (77.2 cm) in height. The toilet shall have 11-1/2" (29.2 cm) x 8-3/4" (22.2 cm) water area. The toilet shall be 1.6 gpf (6 lpf) or 1.28 gpf (4.81 lpf), with Class Five™ flushing system. The toilet shall have 2-1/8" (5.4 cm) glazed trapway, 12" (30.5 cm) rough-in, and 17" (43.2 cm) high bowl. The toilet is ADA compliant when equipped with open front elongated seat. The toilet shall be less seat and supply. Toilet shall be Kohler Model K-\_\_\_\_\_-\_\_\_\_\_-\_\_\_\_\_.

# HIGHLINE™

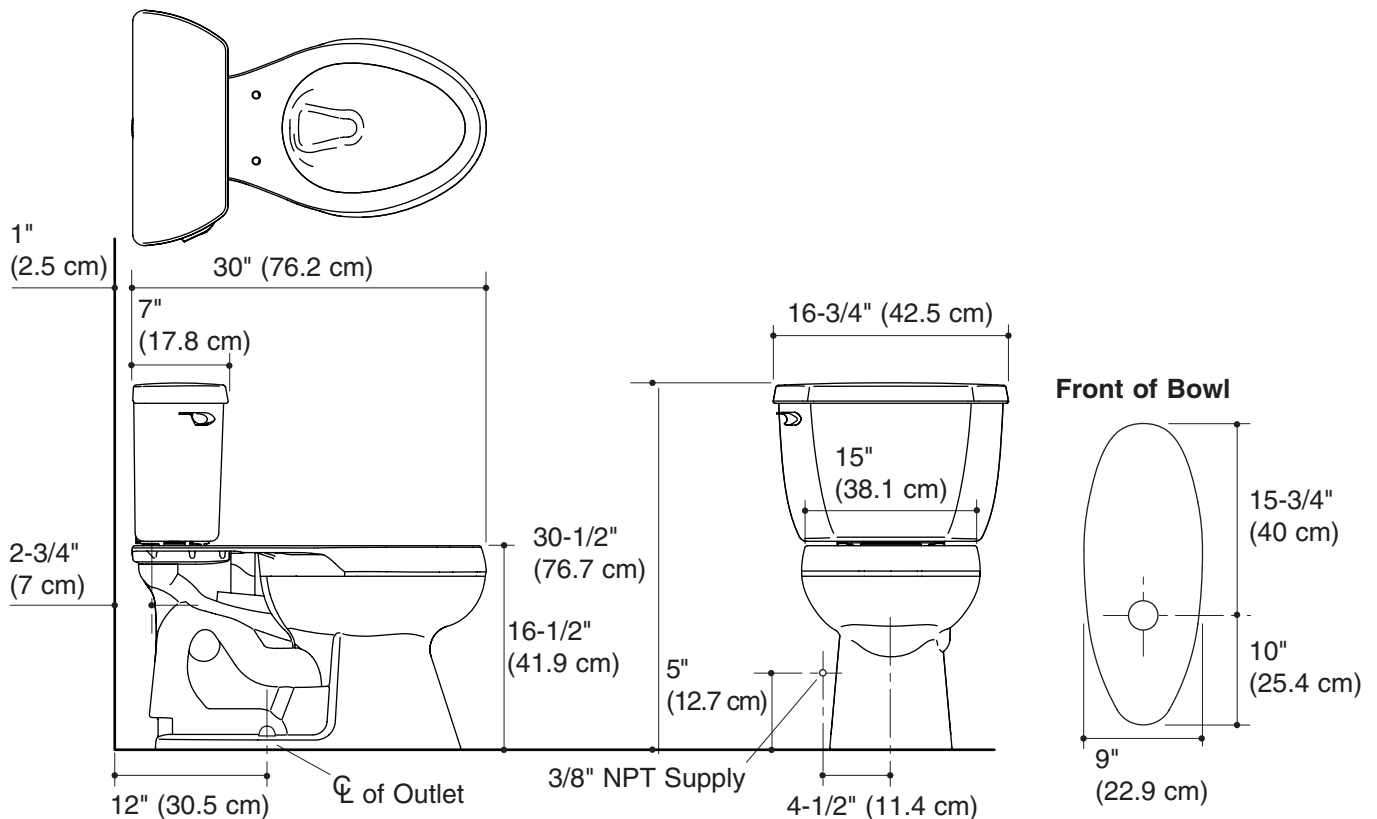
## Technical Information

Fixture:	
Configuration	two-piece, elongated
Water per flush	1.6 gal (6 L) or 1.28 gal (4.81 L)
Passageway	2-1/8" (5.4 cm)
Water area	11-1/2" (29.2 cm) x 8-3/4" (22.2 cm)
Water depth from rim	6-1/4" (15.9 cm)
Seat post hole centers	5-1/2" (14 cm)
Included Components:	
Tank cover	84591
Trip lever, left-hand	K-9386-L
Trip lever, right-hand	K-9386-R
Trip lever, left-hand, cover lock tanks	K-9386-T-L
Bolt cap accessory pack	1013092
Tank accessory pack	1016548

## Installation Notes

Install this product according to the installation guide.

This toilet is ADA compliant when an open front elongated seat is installed.



## Product Diagram

HIGHLINE™ CLASS FIVE™ TOILET

Page 2 of 2  
1066805-4-B

THE BOLD LOOK  
OF **KOHLER**®