

### COMFORT HEIGHT™ TOILET K-3517

ADA

#### Features

- Vitreous china
- Elongated bowl
- Combination toilet
- Class Five™ flushing system
- 16-1/2" (41.9 cm) bowl height meets ADA requirements for handicap accessibility
- 12" (30.5 cm) rough-in
- 2-1/8" (5.4 cm) glazed trapway
- Less seat and supply
- 1.6 gpf (6 lpf) or 1.28 gpf (4.85 lpf)
- 12-1/4" (31.1 cm) x 9" (22.9 cm) water area
- 29" (73.7 cm) x 17-7/8" (45.4 cm) x 30" (76.2 cm)



#### Codes/Standards Applicable

Specified model meets or exceeds the following:

- ASME A112.19.2
- ASME A112.19.6
- IAPMO/UPC
- Energy Policy Act of 1992 (EPACT)
- CSA B45
- ADA

#### Colors/Finishes

- 0: White
- Other: Refer to Price Book for additional colors/finishes

#### Accessories:

- CP: Polished Chrome
- PB: Polished Brass
- Other: Refer to Price Book for additional colors/finishes

#### Specified Model

Model	Description	Colors/Finishes		
K-3517	Comfort Height™ toilet with elongated bowl - left-hand trip lever	<input type="checkbox"/> 0	<input type="checkbox"/> Other_____	
<b>Recommended Accessories</b>				
K-4664	Brevia™ seat with cover	<input type="checkbox"/> 0		<input type="checkbox"/> Other_____
K-7637	3/8" angle supply with stop		<input type="checkbox"/> CP <input type="checkbox"/> PB	<input type="checkbox"/> Other_____
<b>Optional Accessories</b>				
11069	Left-hand trip lever (non-CP)		<input type="checkbox"/> PB	<input type="checkbox"/> Other_____

#### Product Specification

The elongated combination toilet shall be made of vitreous china. Toilet shall be 29" (73.7 cm) in length, 17-7/8" (45.4 cm) in width, and 30" (76.2 cm) in height. Toilet shall feature a 16-1/2" (41.9 cm) bowl height which meets ADA requirements for handicap accessibility. Toilet shall feature a 1.6 gpf (6 lpf) or 1.28 gpf (4.85 lpf) flow rate and a Class Five flushing system. Toilet shall have 12-1/4" (31.1 cm) x 9" (22.9 cm) water area, 12" (30.5 cm) rough-in, and 2-1/8" (5.4 cm) glazed trapway. Toilet shall be less seat and supply. Toilet shall be Kohler Model K-3517-\_\_\_\_\_.

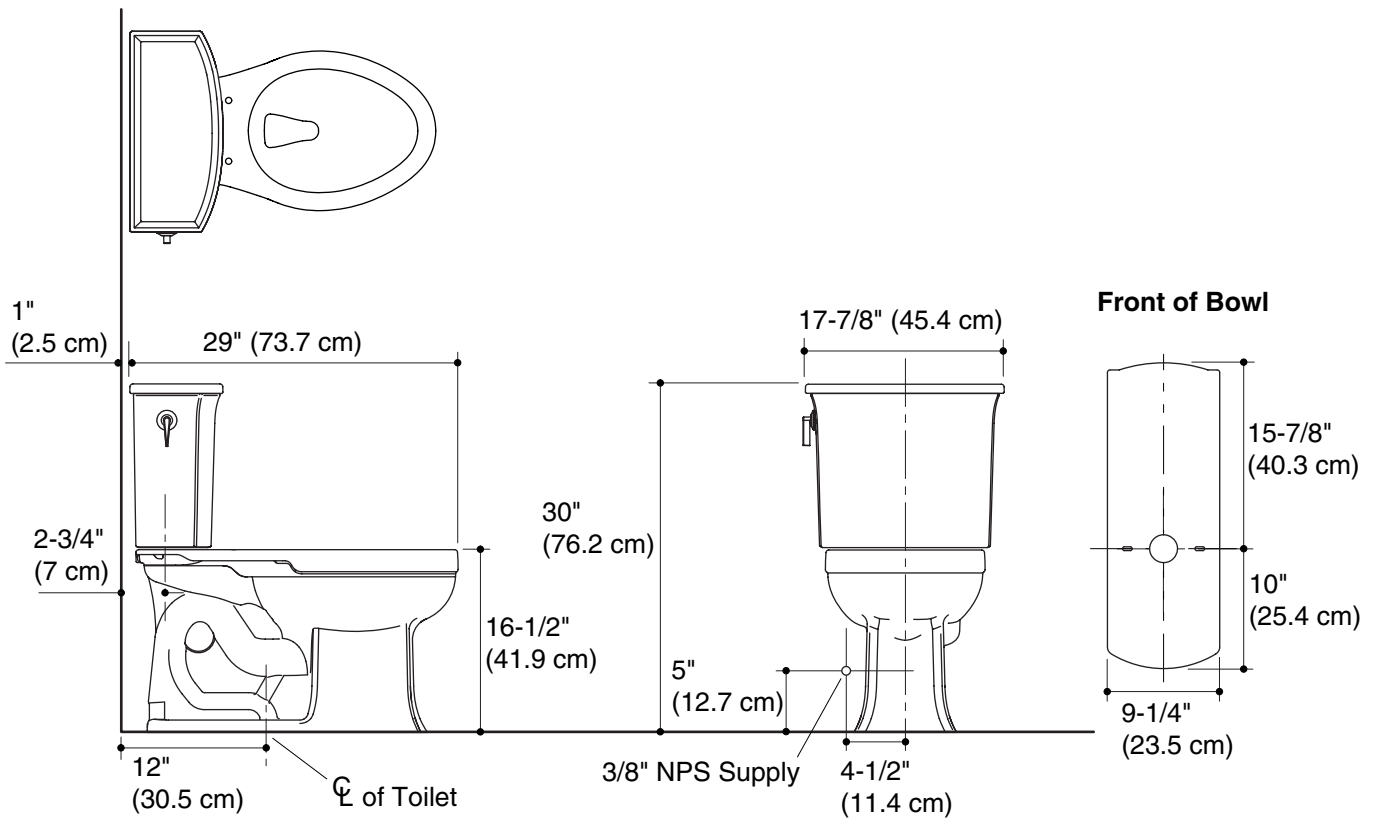
# ARCHER™

## Technical Information

Fixture:	
Configuration	2-piece, elongated
Flow rate	1.6 gpf (6 lpf) or 1.28 gpf (4.85 lpf)
Passageway	2-1/8" (5.4 cm)
Water area	12-1/4" (31.1 cm) x 9" (22.9 cm)
Water depth from rim	6" (15.2 cm)
Seat post hole centers	5-1/2" (14 cm)
Included components:	
Tank	K-4493
Bowl	K-4295
Tank cover	1046462
Trip lever, left-hand	1067186
Bolt cap accessory pack	1013092
Tank accessory pack	1016548

## Installation Notes

Install this product according to the installation guide.



## Product Diagram

ARCHER™ COMFORT HEIGHT™ TOILET

Page 2 of 2  
1067187-4-A

THE BOLD LOOK  
OF **KOHLER**®