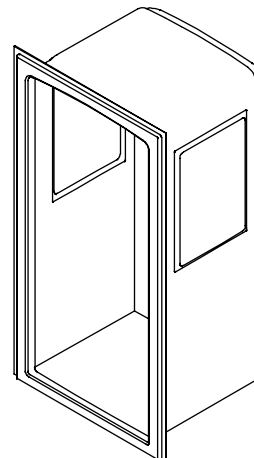


### Features

- Acrylic
- Integral soap ledges
- Nylon grab bars (-N), grey bars supplied with white and biscuit modules, white bars supplied with others
- Brushed stainless steel grab bars (-C)
- Polished stainless steel grab bars (-P)
- Center drain outlet
- Molded-in floor pattern
- "Pit" installation options detailed in instructions
- 36" (91.4 cm) x 36" (91.4 cm) x 81-3/8" (206.7 cm)

### ONE-PIECE ACRYLIC BARRIER-FREE SHOWER MODULE **K-12107** ALSO K-12108



### Codes/Standards Applicable

Specified model meets or exceeds the following:

- ANSI Z124.2

### Colors/Finishes

- 0: White
- Other: Refer to Price Book for additional colors/finishes

### Accessories:

- CP: Polished Chrome
- PB: Polished Brass
- G: Brushed Chrome

### Specified Model

Model	Description	Colors/Finishes	
K-12107-N	Module with soap ledge on left, nylon grab bars	<input type="checkbox"/> 0	<input type="checkbox"/> Other_____
K-12107-C	Module with soap ledge on left, brushed stainless steel grab bars	<input type="checkbox"/> 0	<input type="checkbox"/> Other_____
K-12107-P	Module with soap ledge on left, polished stainless steel grab bars	<input type="checkbox"/> 0	<input type="checkbox"/> Other_____
K-12108-N	Module with soap ledge on right, nylon grab bars	<input type="checkbox"/> 0	<input type="checkbox"/> Other_____
K-12108-C	Module with soap ledge on right, brushed stainless steel grab bars	<input type="checkbox"/> 0	<input type="checkbox"/> Other_____
K-12108-P	Module with soap ledge on right, polished stainless steel grab bars	<input type="checkbox"/> 0	<input type="checkbox"/> Other_____

### Product Specification:

The acrylic shower module shall be 36" (91.4 cm) in length, 36" (91.4 cm) in width, and 81-3/8" (206.7 cm) in height. Product shall include molded-in floor pattern, integral soap ledges, center drain outlet, and "pit" installation options detailed in instructions. Product shall include nylon grab bars (-N), grey bars supplied with white and biscuit modules, white bars supplied with others, brushed stainless steel grab bars (-C), or polished stainless steel grab bars (-P). Shower module shall be Kohler Model K-\_\_\_\_-\_\_\_\_-\_\_\_\_\_.

# FREEWILL®

Recommended Accessories				
K-9132	Shower drain	<input type="checkbox"/> CP	<input type="checkbox"/> PB	<input type="checkbox"/> Other _____
K-1665	Dome light	<input type="checkbox"/> CP	<input type="checkbox"/> G	

Refer to Fixtures Price Book for shower door selections, glass options, and color information.

## Technical Information

Fixture*:	
Configuration	one-piece
Weight	150 lbs (68 kg)
Drain hole	3-3/8" (8.6 cm) D.
* Approximate measurements for comparison only.	

## Installation Notes

Install this product according to the installation guide.

For increased accessibility, utilize "pit" installation as detailed in installation guide.

For optimum accessibility, specify faucets and fittings to install and operate within the control area shown.

The fixture is not drilled for supply fittings.

Shimming may be required to level fixture.




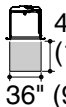
Stud opening tolerance is + 1/4" (6 mm).

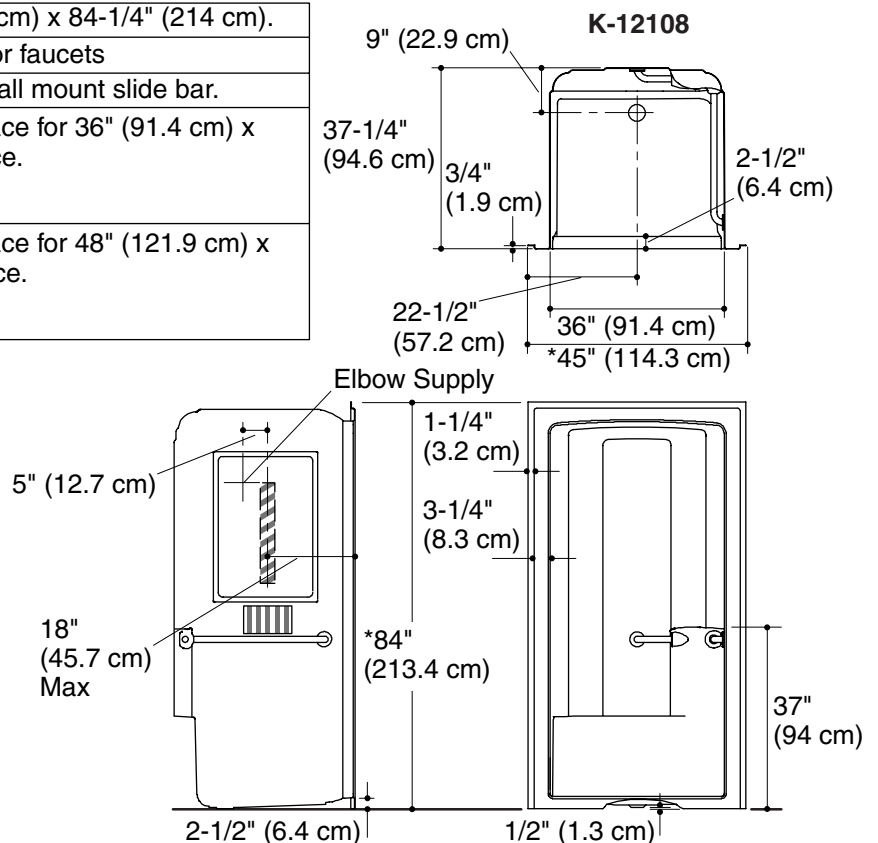
When fire-rated construction is specified, dimensions are to the inside of the fire-rated wall.

Some shimming between stud frame and fixture may be required.

Provide clear floor space per ICC/ANSI A117.1 and as shown.

\*Recess opening must be 45-1/4" (114.9 cm) x 84-1/4" (214 cm).

	Represents control area for faucets
	Represents 24" (61 cm) wall mount slide bar.
 36" (91.4 cm)	Represents clear floor space for 36" (91.4 cm) x 36" (91.4 cm) side entrance.
 48" (121.9 cm)	Represents clear floor space for 48" (121.9 cm) x 36" (91.4 cm) front entrance.



## Product Diagram