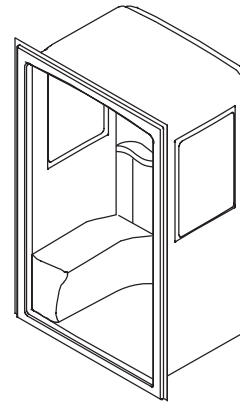


Features

- Molded-in floor pattern
- Nylon grab bars (-N), grey bars supplied with white and biscuit modules, white bars supplied with others
- Brushed stainless steel grab bars (-C)
- Polished stainless steel grab bars (-P)
- Acrylic
- Integral soap ledges
- "Pit" installation options detailed in instructions
- Integral seat on the left or right
- 44-3/8" (112.7 cm) x 37-3/8" (94.9 cm) x 81-9/16" (207.2 cm) inside finished dimensions
- 52" (132.1 cm) x 37-1/2" (95.3 cm) x 84" (213.4 cm) rough-in dimensions

ONE-PIECE ACRYLIC BARRIER-FREE SHOWER MODULE **K-12109** ALSO K-12110



Codes/Standards Applicable

Specified model meets or exceeds the following:

- ANSI Z124.2

Colors/Finishes

- 0: White
- Other: Refer to Price Book for additional colors/finishes

Accessories:

- CP: Polished Chrome
- PB: Polished Brass
- Other: Refer to Price Book for additional colors/finishes

Specified Model

Model	Description	Colors/Finishes		
K-12109-N	Module with seat on left, nylon grab bars	<input type="checkbox"/> 0 White	<input type="checkbox"/> Other_____	
K-12109-C	Module with seat on left, brushed stainless steel grab bars	<input type="checkbox"/> 0 White	<input type="checkbox"/> Other_____	
K-12109-P	Module with seat on left, polished stainless steel grab bars	<input type="checkbox"/> 0 White	<input type="checkbox"/> Other_____	
K-12110-N	Module with seat on right, nylon grab bars	<input type="checkbox"/> 0 White	<input type="checkbox"/> Other_____	
K-12110-C	Module with seat on right, brushed stainless steel grab bars	<input type="checkbox"/> 0 White	<input type="checkbox"/> Other_____	
K-12110-P	Module with seat on right, polished stainless steel grab bars	<input type="checkbox"/> 0 White	<input type="checkbox"/> Other_____	
Accessories				
K-9132	Drain	<input type="checkbox"/> CP	<input type="checkbox"/> PB	<input type="checkbox"/> Other_____
K-1665	Dome light	<input type="checkbox"/> CP	<input type="checkbox"/> G	

Product Specification:

The shower module inside finished dimensions shall be 44-3/8" (112.7 cm) in length, 37-3/8" (94.9 cm) in width, and 81-9/16" (207.2 cm) in height. Shower module rough-in dimensions shall be 52" (132.1 cm) in length, 37-1/2" (95.3 cm) in width, and 84" (213.4 cm) in height. Shower module shall have integral seat at left or right. Shower module shall have a molded-in floor pattern. Shower module shall have nylon grab bars (-N), (grey bars supplied with White and Biscuit modules, white bars supplied with others), brushed stainless steel grab bars (-C), or polished stainless steel grab bars (-P). Shower module shall be made of acrylic. Shower module shall have integral soap ledges. "Pit" installation shall be detailed in instructions. Shower module shall be Kohler Model K-_____-_____.

FREEWILL™

Technical Information

Fixture:	230 lbs. (104.3 kg)
Configuration	1-piece
Drain outlet	3-3/8" D. (8.6 cm)

Installation Notes

Install this product according to the installation guide.

For increased accessibility, utilize "pit" installation as detailed in instructions.

For optimum accessibility, specify faucets and fittings to install and operate within the control area shown.

The fixture is not drilled for supply fittings.



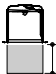

Shimming may be required to level the fixture.

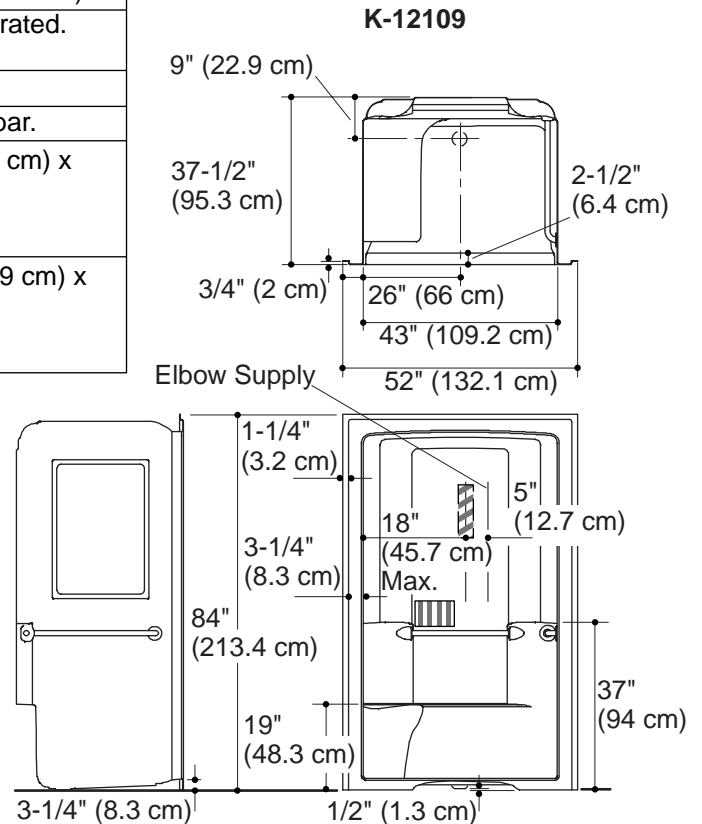
Stud opening tolerance is + 1/4" (6 mm), - 0" (0 mm).

When fire rated construction is specified, dimensions are to the inside of the fire-rated wall.

Some shimming between stud frame and fixture may be required.

Provide clear floor space per ICC/ANSI A117.1 and as shown.

*Recess opening must be 52-1/4" (132.7 cm) x 84-1/4" (214 cm).	
No change in measurements if connected with drain illustrated. (K-9132)	
	Represents control area for faucets
	Represents 24" (61 cm) wall mount slide bar.
 36" (91.4 cm) 43" (109.2 cm)	Represents clear floor space for 36" (91.4 cm) x 43" (109.2 cm) side entrance.
 48" (121.9 cm) 43" (109.2 cm)	Represents clear floor space for 48" (121.9 cm) x 43" (109.2 cm) front entrance.



Product Diagram