

Features

- CleanCoat™ glass coating
- Center-guided door panel mechanism for smooth, quiet sliding action and easy cleaning
- Out-of-plumb adjustability allows for easy installation
- Stainless steel hardware prevents rusting or corrosion
- Smooth, easy-to-clean wall jambs
- 3/8" (1 cm) thick tempered glass

Codes/Standards Applicable

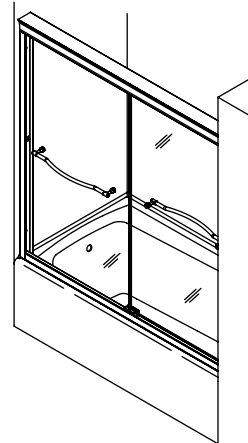
Specified model meets or exceeds the following:

- ANSI Z97.1 (tempered glass)

BYPASS BATH AND SHOWER DOORS

K-704411

ALSO K-704413, K-704415



Glass Options

- L: Clear

Frame Finishes/Colors:

- BH: Bright Brass
- SHP: Polished Silver
- NX: Brushed Nickel
- ABV: Brushed Bronze

Specified Model

Model	Application	Glass Options	Frame Finishes/Colors			
			BH	SHP	NX	ABV
K-704411	Bath	<input type="checkbox"/> L	<input type="checkbox"/> BH	<input type="checkbox"/> SHP	<input type="checkbox"/> NX	<input type="checkbox"/> ABV
K-704413	Shower	<input type="checkbox"/> L	<input type="checkbox"/> BH	<input type="checkbox"/> SHP	<input type="checkbox"/> NX	<input type="checkbox"/> ABV
K-704415	Shower	<input type="checkbox"/> L	<input type="checkbox"/> BH	<input type="checkbox"/> SHP	<input type="checkbox"/> NX	<input type="checkbox"/> ABV

Product Specification

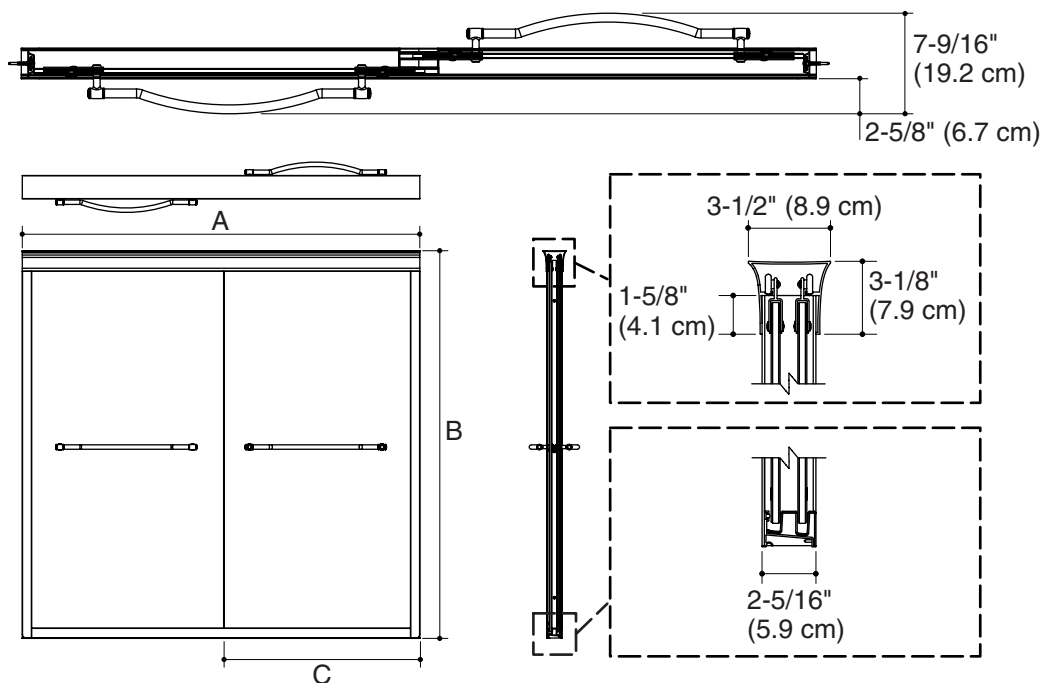
Bypass bath and shower door with 3/8" (10 mm) thick tempered glass shall have smooth, easy-to-clean wall jambs and CleanCoat glass coating. Door shall have a center-guided door panel mechanism for smooth, quiet sliding action and easy cleaning. Door shall have out-of-plumb adjustability, allowing for easy installation. Door shall have stainless steel hardware to prevent rusting or corrosion. Shower door shall be Kohler Model K-_____-L-_____.

DEVONSHIRE®

Installation Notes

Install this product according to the installation guide.

Model	A (Max)	B	C (Walk Through)
K-704411	59-5/8" (151.4 cm)	58-5/16" (148.1 cm)	27-7/8" (70.2 cm)
K-704413	47-5/8" (121 cm)	70-5/16" (180.2 cm)	21-7/8" (55.6 cm)
K-704415	59-5/8" (151.4 cm)	70-5/16" (180.2 cm)	27-7/8" (70.2 cm)



Product Diagram