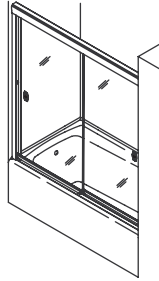


# Installation Guide

## Frameless Bypass Bath/Shower Doors

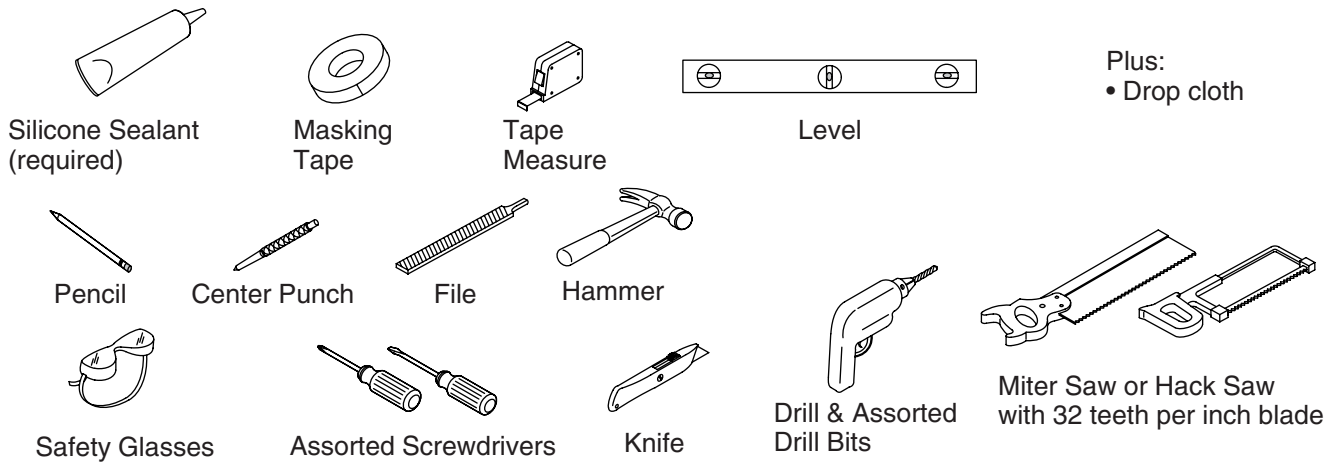
K-704410, K-704412, K-704414



**M** product numbers are for Mexico (i.e. K-12345**M**)  
Los números de productos seguidos de **M** corresponden a México  
(Ej. K-12345**M**)  
Français, page "Français-1"  
Español, página "Español-1"

THE BOLD LOOK  
OF **KOHLER**®

## Tools and Materials



## Before You Begin



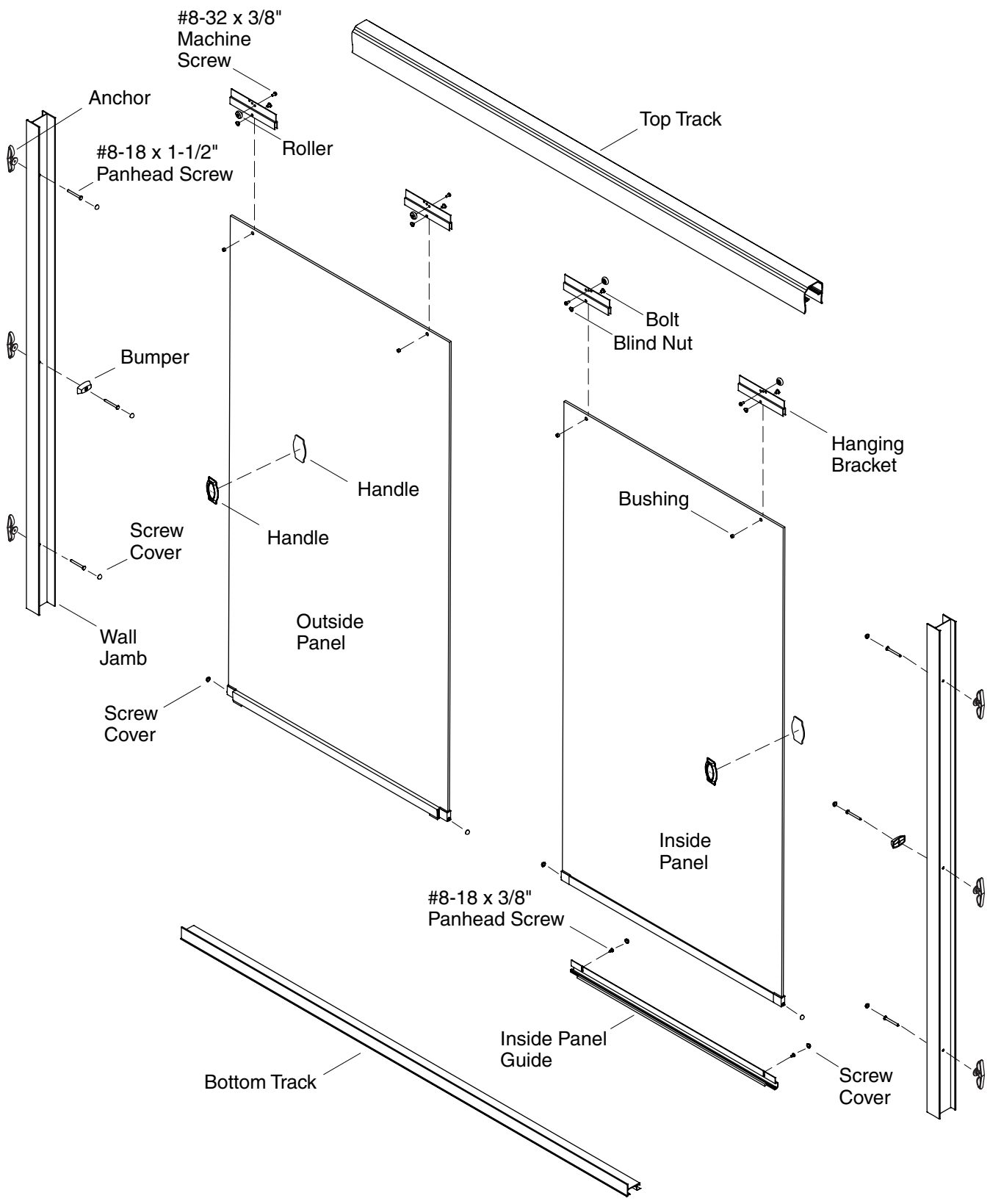
**CAUTION: Risk of injury or product damage.** Unframed tempered glass should not contact hard surfaces or it may shatter. Do not touch the edge of the tempered glass panel with tools or any hard objects. Do not set unframed tempered glass directly on the floor or any other hard surface.



**CAUTION: Risk of injury or product damage.** Do not cut tempered glass. It will shatter.

**NOTE:** When using a retractable case tape measure, make sure you add the length of the case to the measurement or measure in a manner that excludes the case.

- The shower bath or receptor should be installed/prepared, including finished wall materials, before continuing.
- Before starting the installation, lay out and identify all of the parts. Inspect them for damage.
- Once inspected, return the glass panels to their packaging and place them in a safe area until they are needed.
- Kohler Co. reserves the right to make revisions in the design of products without notice, as specified in the Price Book.



**Parts Identification**

# IMPORTANT!

## Most Common Installation Mistake

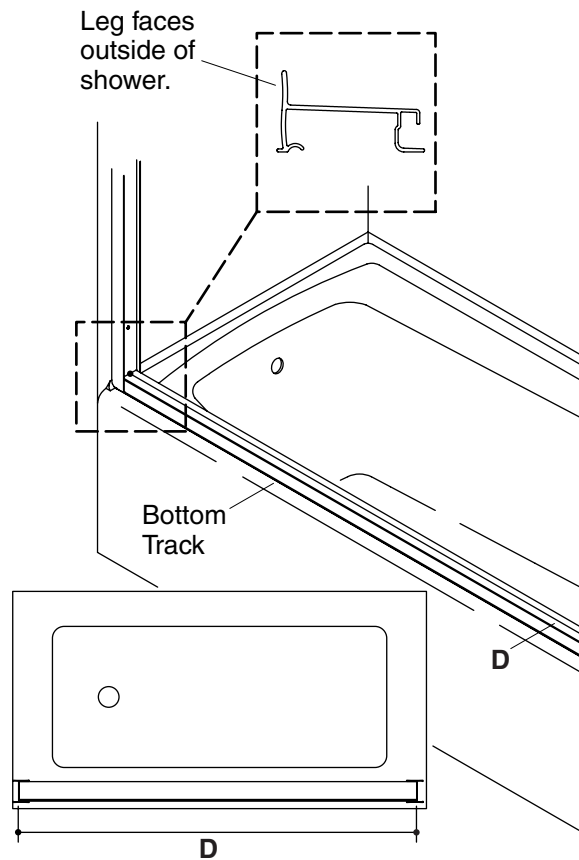
Do not cut the top and bottom track the same length for this installation.

Please read these installation instructions carefully before cutting the top and bottom track.

If uncertain about cutting tracks, please contact a customer service representative.

1-888-783-7546

**Very Important Instructions**



## 1. Measure and Cut the Bottom Track



**WARNING: Risk of personal injury.** Always wear safety glasses when cutting materials.

**NOTICE: Risk of product damage.** Do not cut the top track at this time. The top track dimension is not the same as the bottom track.

**IMPORTANT!** If your shower has a curve in the corners where they meet the sidewalls, be sure to measure from wall to wall above the curves. Failure to measure above the curve or angle could result in the bottom track being cut too short.

- Measure from wall to wall at the flattest part of the shower ledge (dimension "D").
- Mark dimension "D" on the bottom track.

**IMPORTANT!** For best results, use a 32-teeth hacksaw blade and a miter box to cut the bottom track.

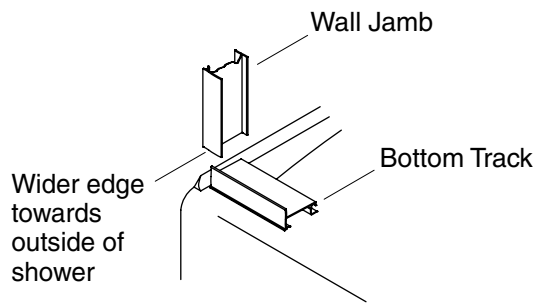
- On the end opposite the mark, align the end of the insert flush with the end of the bottom track.
- **Subtract 1-1/8" (2.9 cm) from dimension "D"** and cut the bottom track to this dimension.
- File the rough edges smooth where the bottom track was cut, taking care not to mar the finished surface.

**NOTE:** If there are curves where the sidewalls meet the threshold, use a file to contour the bottom track edges to match the curves as necessary.

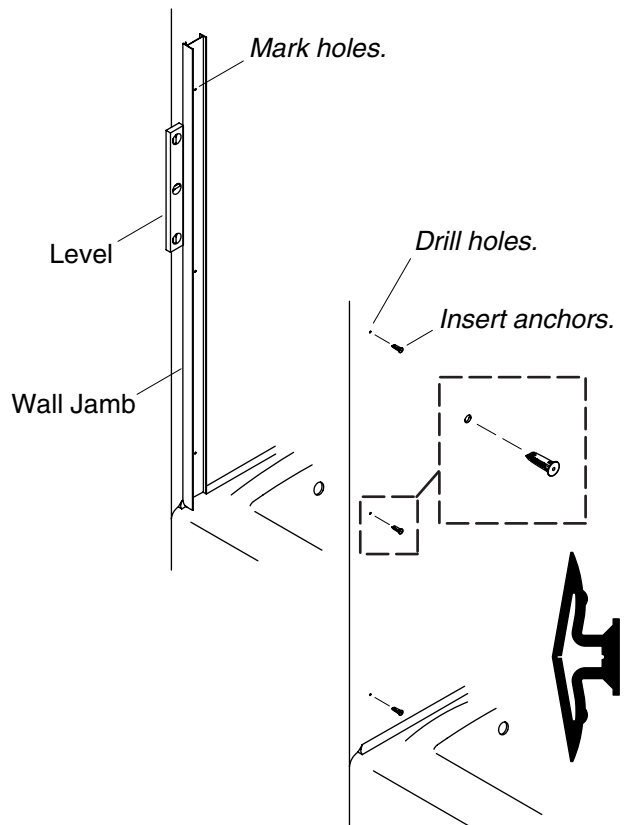
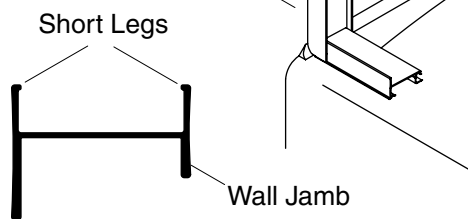
## 2. Locate the Bottom Track

**NOTE:** The bottom track must sit flat. If the bath/shower ledge has a curve in the corners or is constructed of fiberglass, it may be necessary to shape the ends of the track with a file.

- Place the bottom track on the flattest part of the bath/shower ledge with the leg toward the outside of the shower.
- Position the bottom track so there is an equal gap between each wall and the ends of the bottom track.
- Temporarily secure the bottom track to the ledge with masking tape.
- Mark the ledge along the front edge of the bottom track with a soft pencil.



Wall jamb must sit flat against wall and fully engage bottom track.



### 3. Mark the Wall Jamb Locations

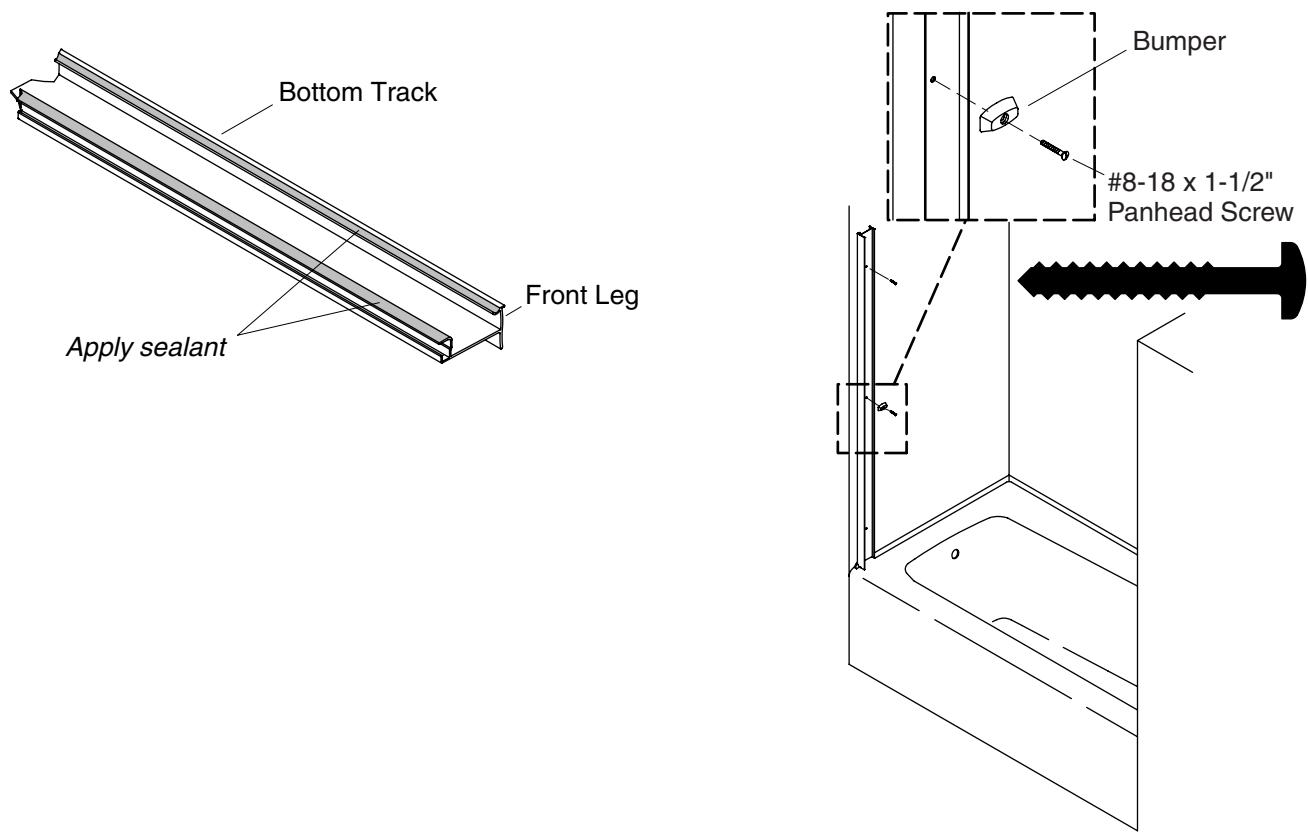
- Position a wall jamb against the wall directly over the bottom track. The wall jamb should sit flat against the wall.
- Slide the wall jamb down over the bottom track until the wall jamb and bottom track are fully engaged.

**NOTE:** The wall jamb must sit flat on the bottom ledge. If your ledge has a curve in the corners at the side wall, it may be necessary to shape the bottom end of the wall jamb with a file.

- Use a level to plumb the wall jamb vertically.
- Using the pre-drilled screw holes as a guide, mark the hole locations on the wall.
- Repeat the procedures with the second wall jamb.
- Remove the bottom track and wall jambs.

**NOTE:** When installing on ceramic tile, use a center punch to nick the surface of the glaze. Tap the center punch **lightly** with a hammer to avoid cracking the tile.

- Lightly center punch the hole locations.
- Drill a 5/16" hole at each mark. Use a tile or masonry bit for ceramic tile.
- Thoroughly clean the shower floor ledge and wall.
- Insert plastic anchors in each hole.



#### 4. Install the Bottom Track

- Apply a 1/4" (6 mm) bead of silicone sealant into the groove on the underside of the track and a small bead on the opposite leg.
- Install the bottom track with the sealant side down and the front leg facing the outside of the shower.

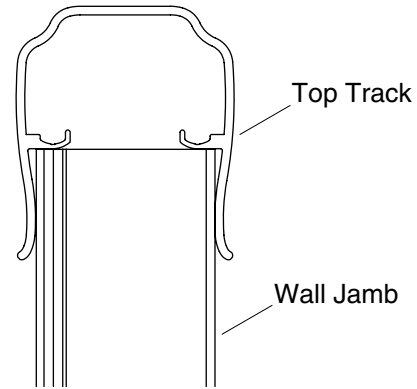
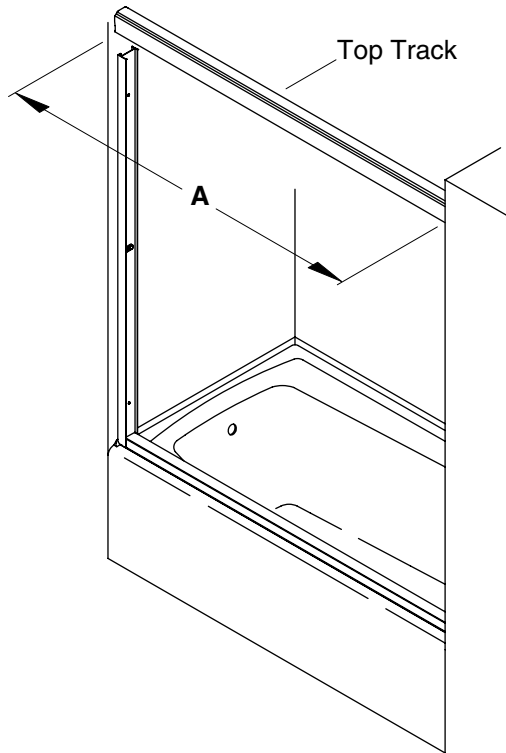
#### 5. Install the Wall Jamb

- Place a wall jamb over the bottom track. Align the holes in the wall jamb with the holes in the wall.
- Secure the wall jamb to the wall with three #8-18 x 1-1/2" panhead screws.

**NOTE:** The middle screw should be inserted through a bumper before being installed. Do not overtighten the middle screw or damage to the bumper may occur.

- Repeat the procedures with the other wall jamb.





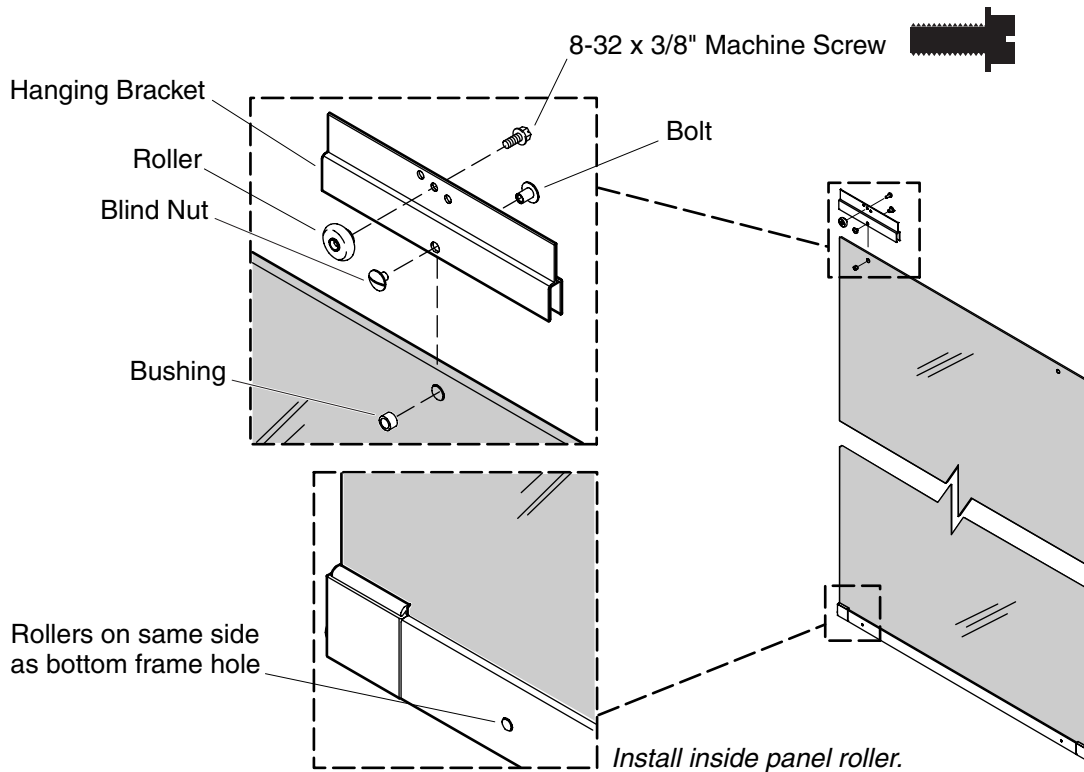
Top Track Length = **A** - 1/32" (1 mm)

## 6. Measure, Cut, and Install the Top Track

- Carefully measure the wall to wall opening (dimension "A") above the installed wall jambs.

**NOTE:** For best results, use a 32-teeth per inch hacksaw blade and a miter box.

- **Subtract 1/32" (1 mm) from dimension "A"** and cut the top track to this dimension.
- Taking care not to scratch the finished surfaces, carefully file the rough edges at the cut end of the top track.
- Install the top track over the ends of both wall jambs.



## 7. Install the Hanging Brackets — Inside Panel

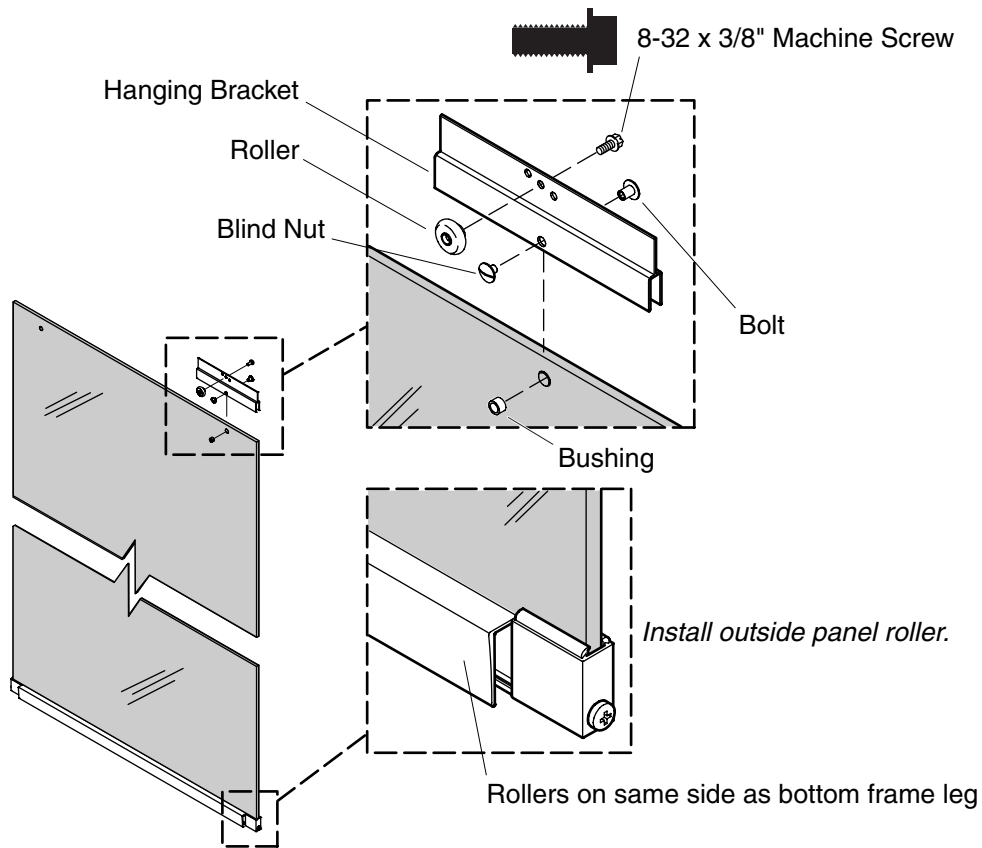


**CAUTION: Risk of injury or product damage.** Unframed tempered glass should not contact hard surfaces or it may shatter. Do not touch the edge of the tempered glass panel with tools or any hard objects. Do not set unframed tempered glass directly on the floor.

- Insert a bushing into one of the holes at the top of the inside glass panel.
- Install a hanging bracket over the glass panel, aligning the hole in the bracket with the bushing.
- Insert a blind nut into the hanging bracket hole and bushing. Secure with a #8-32 x 3/8" machine screw.
- Repeat the steps to install the other bracket on the inside panel.

**IMPORTANT!** The steel side of the roller must be installed against the hanging brackets.

- The inside panel is installed on the showerhead side of the bath or shower.
- Install the rollers on the same side as the bottom frame holes.
- Assemble the rollers and #8-32 x 3/8" machine screws to the hanging brackets through the center hole of the bracket.
- Secure the rollers.



## 8. Install the Hanging Brackets — Outside Panel

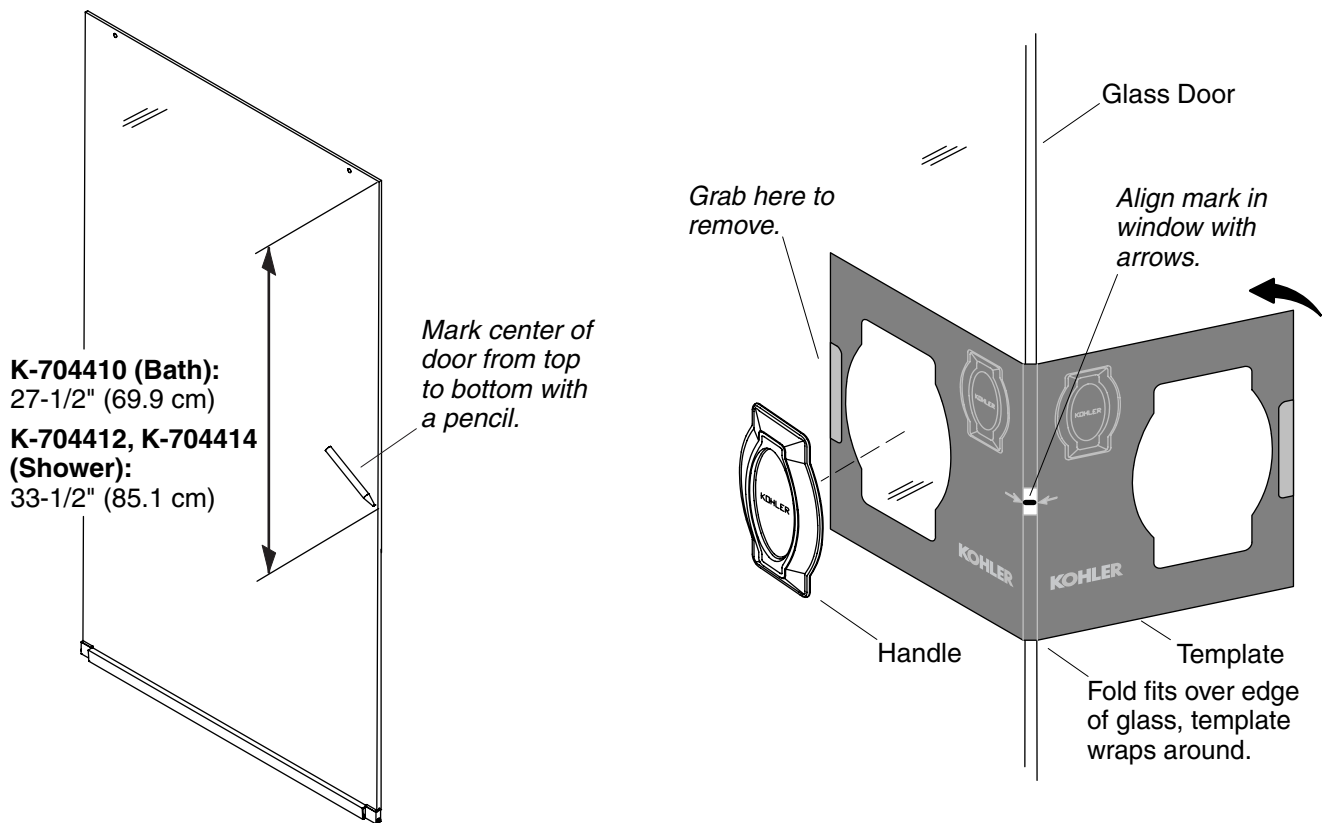


**CAUTION: Risk of injury or product damage.** Unframed tempered glass should not contact hard surfaces or it may shatter. Do not touch the edge of the tempered glass panel with tools or any hard objects. Do not set unframed tempered glass directly on the floor.

- Insert a bushing into one of the holes at the top of the outside glass panel.
- Install a hanging bracket over the glass panel, aligning the hole in the bracket with the bushing.
- Insert a blind nut into the hanging bracket hole and bushing. Secure with a #8-32 x 3/8" machine screw.
- Repeat the steps to install the other bracket on the outside panel.

**IMPORTANT!** The steel side of the roller must be installed against the hanging brackets.

- Install the rollers on the same side as the bottom frame leg.
- Assemble the rollers and #8-32 x 3/8" machine screws to the hanging brackets through the center hole of the bracket.
- Secure the rollers.

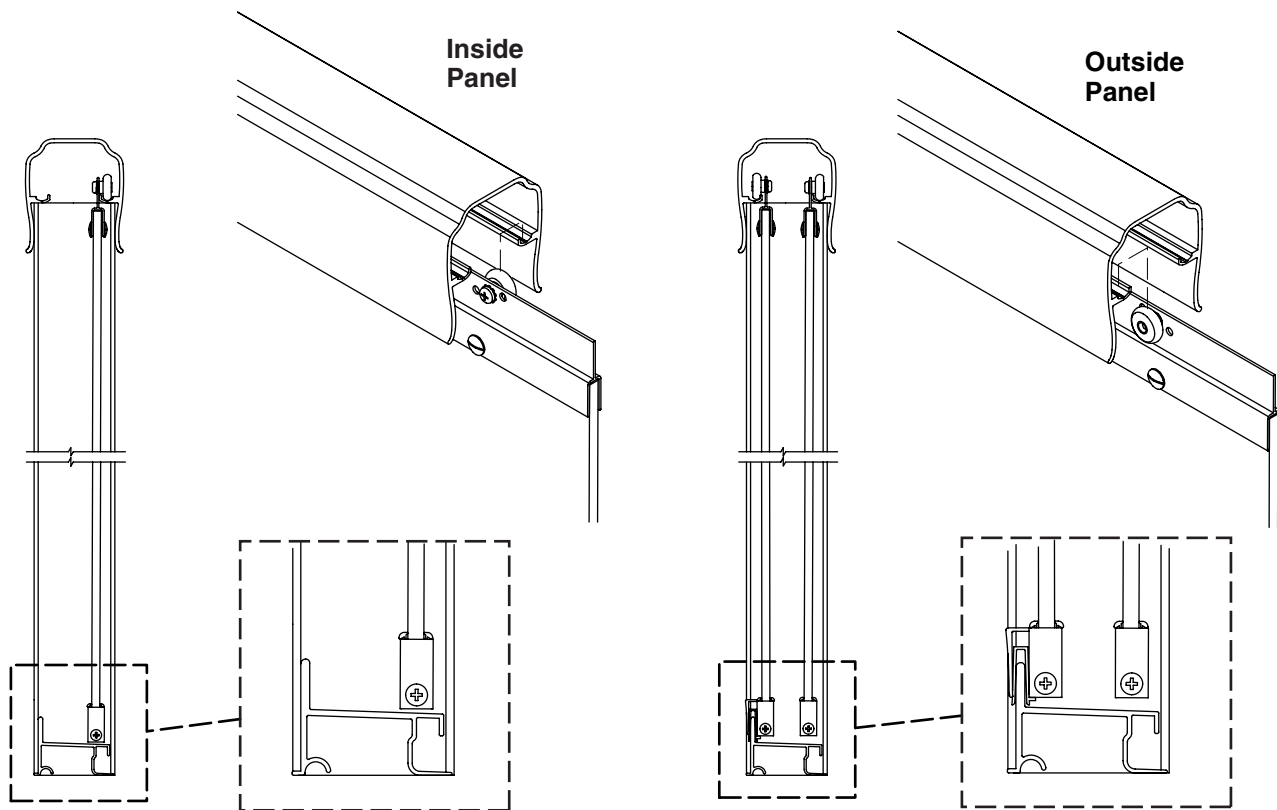


## 9. Install the Door Handles



**WARNING:** Handles use a strong adhesive to ensure lasting performance. Once handles are placed, any adjustments to their position must be made immediately (within 20 seconds). You will not be able to remove handles by hand after 20 seconds.

- The inside panel is installed on the showerhead side of the bath or shower.
- Find the position of the door handle by locating the center point of each door panel on the side of the door that the handle will be installed. For bath door K-704410, measure 27-1/2" (69.9 cm) from the top of each panel. For shower doors K-704412 and K-704414, measure 33-1/2" (85.1 cm) from the top of each panel. Mark the edge of the door panel with a pencil.
- Fold the template and slide it onto the door. The pencil mark should be visible through the small cutout in the middle of the template. For precise placement, align the center of the mark with the arrows next to the window on the template.
- Peel off the tape liners on the back of the template and press it against the glass until it is firmly secured.
- Use the supplied alcohol cloth to clean the visible glass in the cutout. Peel off the tape liner on the handle.
- Make sure the Kohler logo is up. Position the handle inside the cutout in the handle template.
- Press the edges and center of the handle for better contact. If adjustment is needed, reposition the handle immediately.
- Install the second handle on the other side of the inside panel.
- Repeat above procedures for outside door panel. Install the handles on the side of the panel closes to the back wall of the shower enclosure.
- Wait one hour and remove the templates by gripping and pulling the white area near the handle.



## 10. Install the Inside Door Panel

**NOTICE: Risk of product damage.** For the protection of your bath unit, use a drop cloth or similar material as a protective cover during these steps.

- From outside of the shower, install the inside panel first. Position the panel with the rollers toward the inside of the shower.
- Carefully lift the inside panel up inside the top track and hang the rollers on the inside rail.
- Roll the panel back and forth along the track to make sure it operates smoothly. Align the panel with the showerhead side wall jamb.
- If the panel does not operate smoothly, adjustment may be needed. If adjustment is needed, remove the panel.

**NOTE:** Moving the rollers to the top hole of the hanger brackets will cause the glass to hang lower. Moving the rollers to the bottom hole of the hanging brackets will cause the glass to hang higher.

- Loosen the roller screw(s) and move the roller to another hole in the hanging bracket. Insert and tighten the screw(s) and rehang the panel.

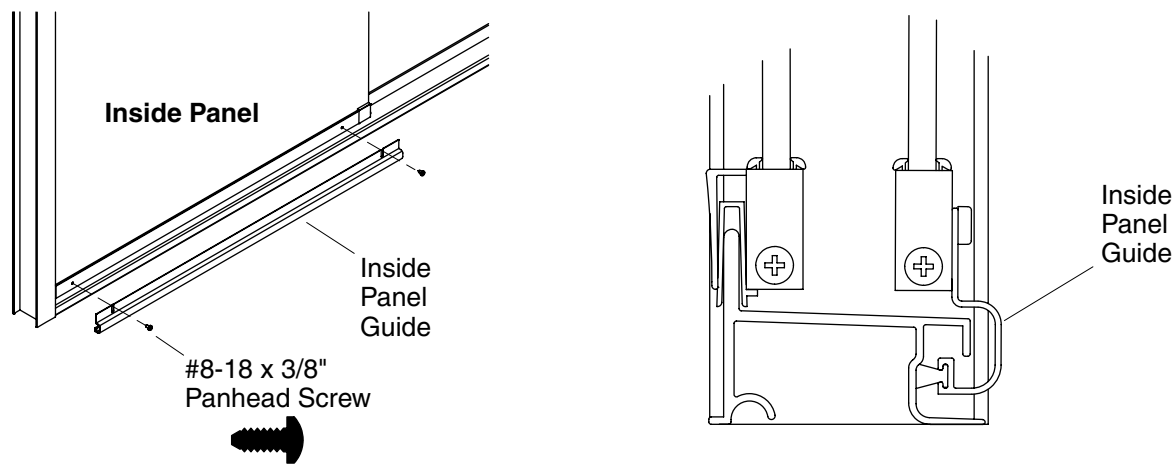
## 11. Install the Outside Door Panel

- From outside of the shower, install the outside panel. Position the panel with the rollers facing the outside of the shower/bath.
- Carefully lift the door panel up inside of the top track and hang the rollers on the outside rail.
- If the panel does not operate smoothly, adjustment may be needed. If adjustment is needed, remove the panel.

### **Install the Outside Door Panel (cont.)**

**NOTE:** Moving the rollers to the top hole of the hanger brackets will cause the glass to hang lower. Moving the rollers to the bottom hole of the hanging brackets will cause the glass to hang higher.

- Loosen the roller screw(s) and move the roller to another hole in the hanging bracket. Insert and tighten the screw(s) and rehang the panel.

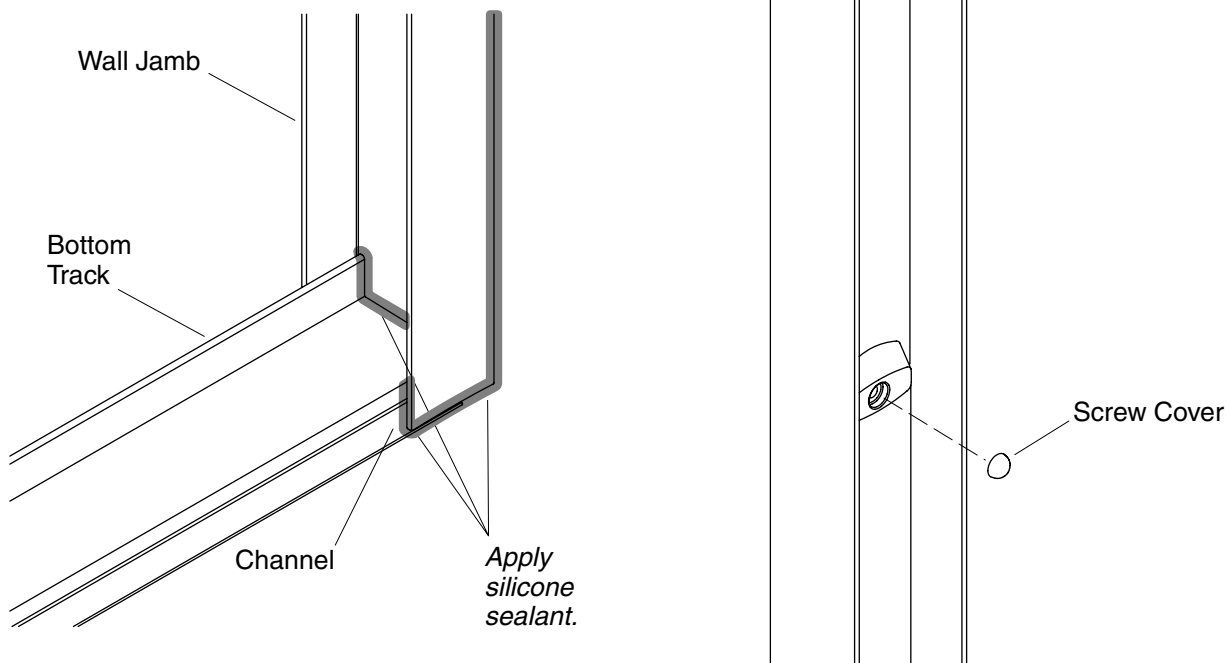


## 12. Install the Inside Panel Guide

**NOTE:** Perform this step from inside the shower.

- Engage the inside panel guide into the opening of the bottom track.
- Align the slots in the panel guide with holes in the bottom of the inside frame panel.
- Install two #8-18 x 3/8" panhead screws through the slots in the inside panel guide and into the holes in the bottom frame of the panel. Do not tighten the screws at this time.
- Push the panel guide up into the bottom track. The felt should face the outside of the shower.
- Lower the panel guide slightly for clearance and tighten the screws. Do not overtighten. If the screws are overtightened the door may not operate properly.
- Move the panel back and forth along the full width of the opening and make sure it operates smoothly.
- If the panel binds, loosen the screws and lower the inside panel guide.

**NOTE:** If the door still does not operate smoothly, the rollers may need to be adjusted. See the steps in the "Install the Outside Panel" section.



### 13. Apply Silicone Sealant

**NOTE:** Thoroughly clean all dust, dirt, or grease from the bottom track and shower ledge surfaces where sealant will be applied. Make sure the surfaces are dry.

- Apply sealant where the wall jambs and wall meet.
- Apply sealant where the wall jambs and bottom track meet.
- Fill the channel where the wall jamb and bottom track meet at the front with sealant. Refer to the illustration for correct placement of sealant.
- Allow sealant to fully cure following the sealant manufacturer's instructions before using the shower/bath.

### 14. Install the Screw Covers

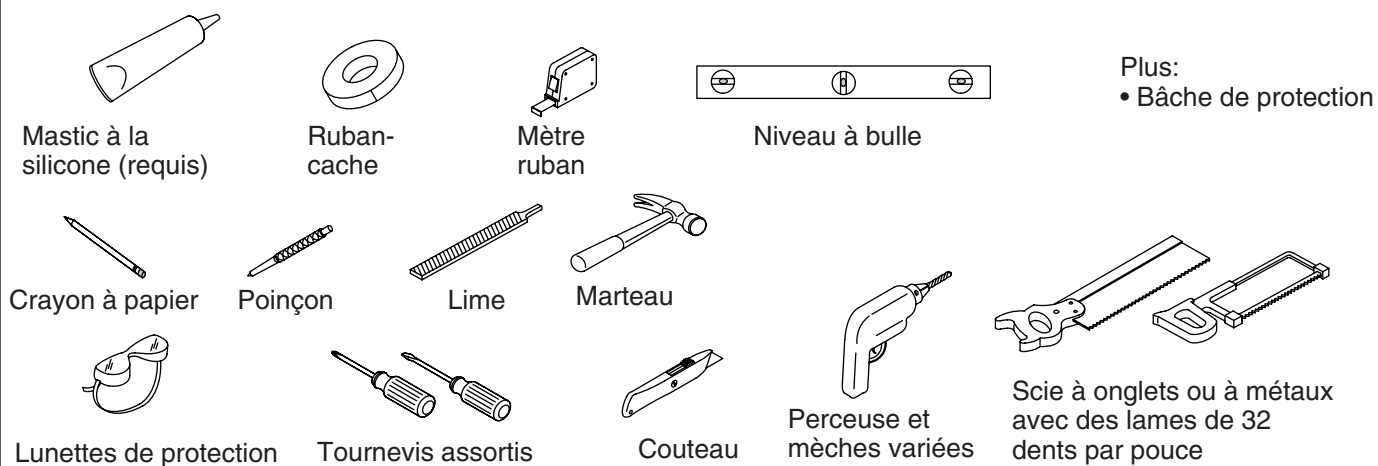
- Install the provided screw covers (6) over the wall jamb screws.
- Install the provided screw covers (4) over the bottom frame screws.
- Install the provided screw covers (2) over the inside panel guide screws.



# Guide d'installation

## Portes coulissantes sans cadre de baignoire/douche

### Outils et matériels



### Avant de commencer



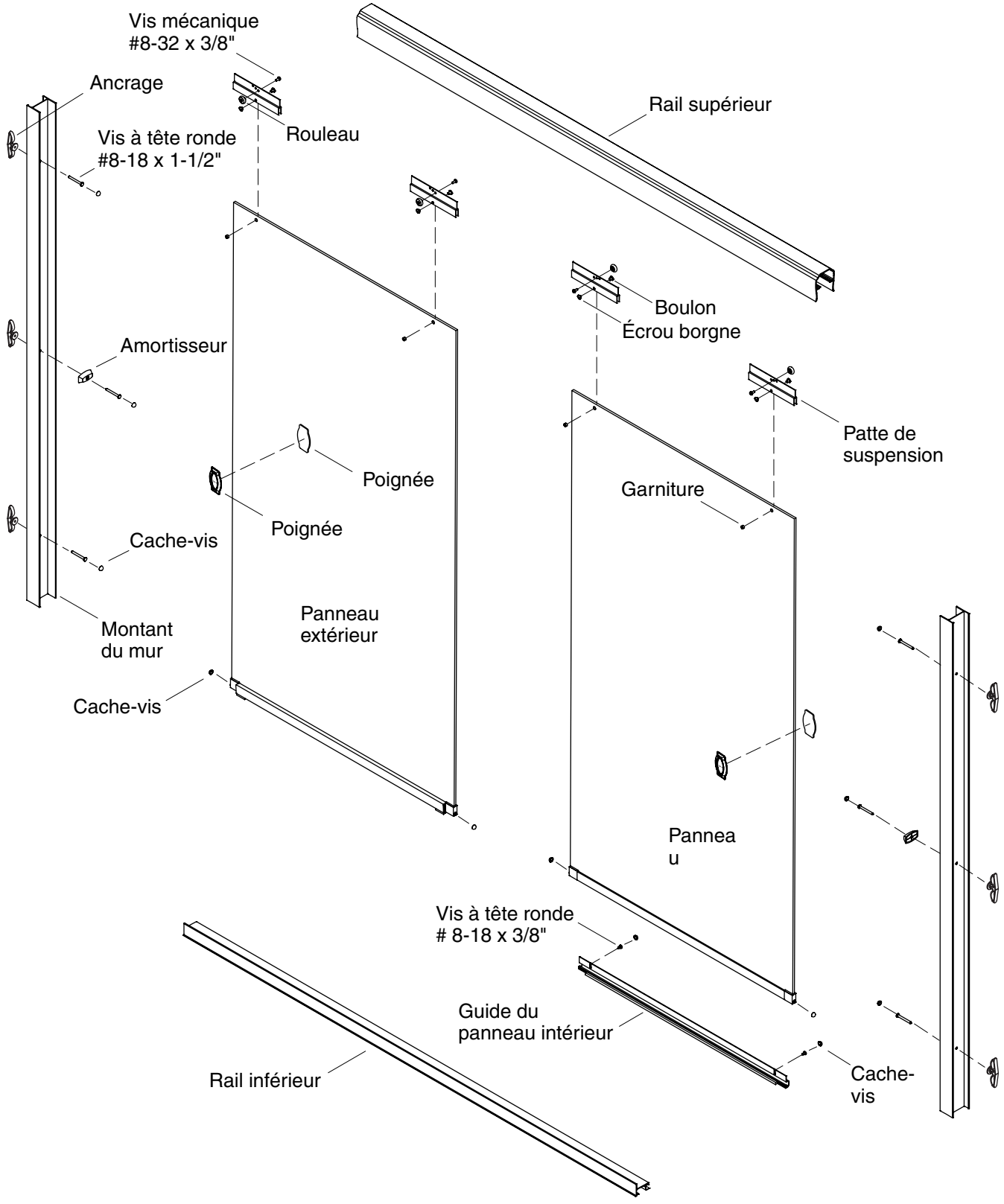
**ATTENTION : Risque de blessure ou d'endommagement du produit.** Le verre trempé non encadré ne doit pas être en contact avec les surfaces dures pour ne pas briser. Ne pas toucher les bords du panneau de verre avec des outils ou des matériaux durs. Ne pas placer le panneau non encadré directement sur le sol ou autre surface solide.



**ATTENTION : Risque de blessure ou d'endommagement du produit.** Ne pas découper le verre trempé. Il se brisera.

**REMARQUE :** Lorsqu'un mètre à ruban rétractable est utilisé, prendre en compte la longueur de la boîte du mètre dans la prise de mesure ou mesurer sans la longueur de la boîte.

- La baignoire de douche ou le receveur devraient être installés/préparés, y compris les matériaux du mur fini avant de continuer.
- Avant de commencer l'installation, préparer et identifier toutes les pièces. Inspecter les pièces de tout dommage.
- Une fois inspectés, remettre les panneaux de verre dans l'emballage de protection en attendant d'en avoir besoin.
- Kohler Co. se réserve le droit d'apporter toutes modifications sur le design des produits et ceci sans préavis, tel que spécifié dans le catalogue des prix.



**Identification des pièces**

# IMPORTANT!

L'erreur la plus commune d'installation

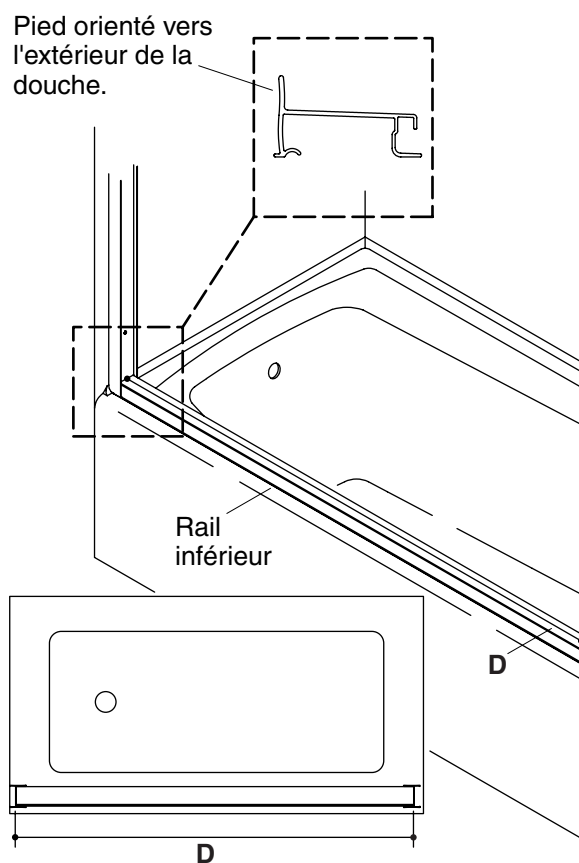
Ne pas couper le rail supérieur et inférieur à la même longueur pour cette installation.

Veillez s'il vous plaît lire avec attention ces instructions d'installation avant de couper le rail supérieur et inférieur.

Si vous ne savez pas vraiment comment couper les rails, veuillez contacter un représentant du service clientèle.

1-888-783-7546

**Instructions très importantes**



## 1. Mesurer et couper le rail inférieur



**AVERTISSEMENT : Risque de blessures corporelles.** Porter des lunettes de protection lors de la découpe des matériaux.

**AVIS : Risque d'endommagement du produit.** Ne pas couper le rail supérieur à ce moment. La dimension du rail supérieur n'est pas la même que le rail inférieur.

**IMPORTANT !** Si la baignoire à des coins arrondis, veiller à mesurer d'un mur à l'autre au-dessus des courbes. Ne pas mesurer au-dessus de la courbe ou de l'angle pourrait résulter en une découpe trop courte du rail inférieur.

- Mesurer d'un mur à l'autre à la partie la plus plate du rebord de la douche (dimension "D").
- Marquer la dimension "D" sur le rail inférieur.

**IMPORTANT !** Pour de meilleurs résultats, utiliser une scie à métaux à 32 dents et une boîte à onglets pour couper le rail inférieur.

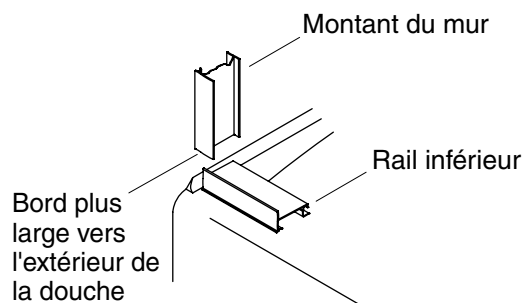
- A l'extrémité opposée à la marque, aligner l'extrémité de l'insertion à égalité avec l'extrémité du rail inférieur.
- **Soustraire 1-1/8" (2,9 cm) à la dimension "D"** et couper le rail inférieur à cette dimension.
- Limer les rebords rugueux à l'endroit de découpe du rail inférieur en évitant d'endommager la surface finie.

**REMARQUE :** S'il y a des courbes à la rencontre des parois latérales et du seuil, utiliser une lime pour former les rebords de rail inférieur en conséquence.

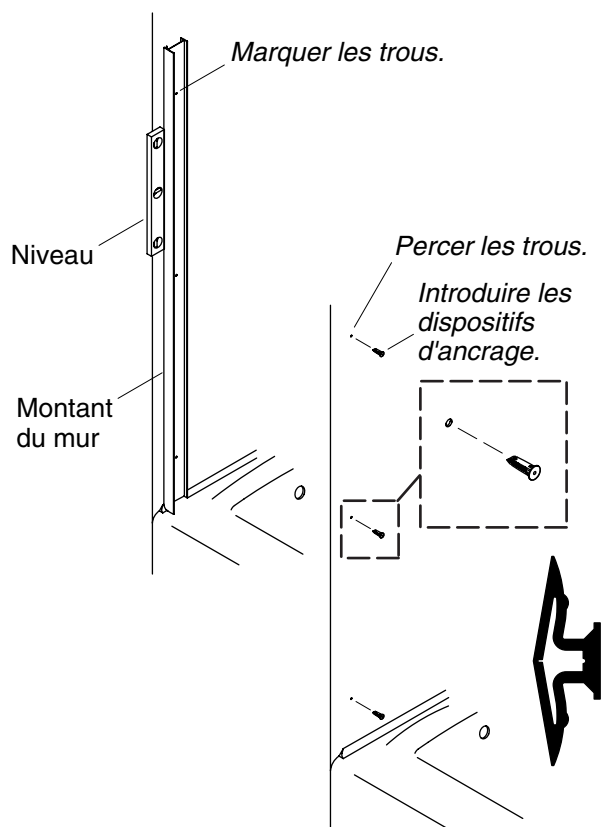
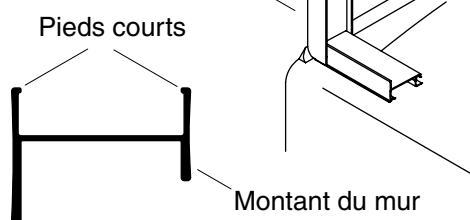
## 2. Déterminer l'emplacement du rail inférieur

**REMARQUE :** Le rail inférieur doit reposer à plat. Si le rebord de la baignoire/douche est arrondi aux coins ou est construit en fibres de verre, il serait peut-être nécessaire de les limer les extrémités du rail.

- Placer le rail inférieur sur le point le plus plat du rebord de la baignoire/douche, avec le pied orienté vers l'extérieur de la douche.
- Positionner le rail inférieur de manière à ce qu'il y ait un espacement égal entre chaque mur et extrémité du rail inférieur.
- Sécuriser temporairement le rail inférieur au rebord de baignoire ou de douche avec du ruban-cache.
- À l'aide d'un crayon, marquer le rebord le long du rebord avant du rail inférieur.



Le montant doit s'appuyer contre le mur pour s'enclencher dans le rail inférieur



### 3. Marquer les emplacements du montant du mur

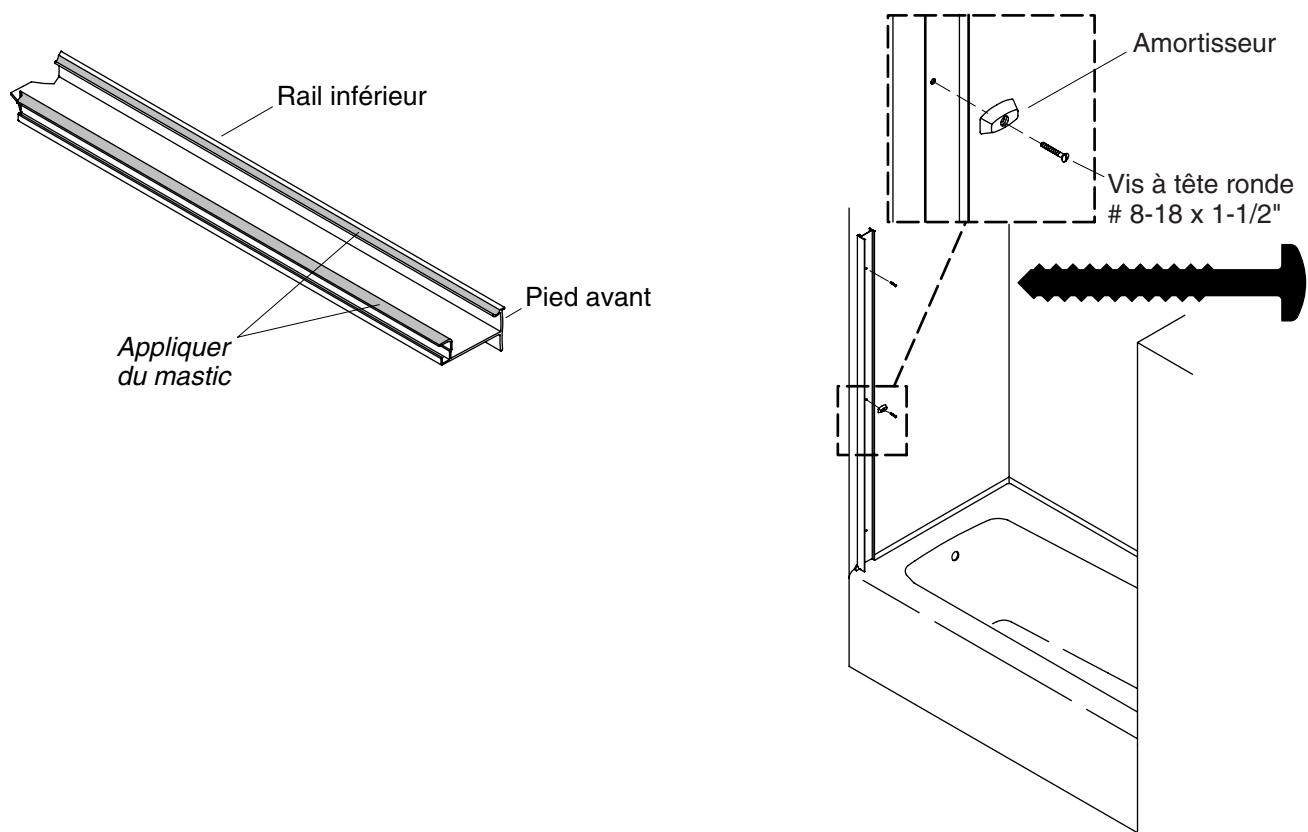
- Positionner le montant du mur contre le mur directement sur le rail inférieur. Le montant du mur devrait bien reposer à plat contre le mur.
- Glisser le montant du mur sur le rail inférieur jusqu'à ce qu'ils soient complètement engagés.

**REMARQUE :** Le montant du mur doit reposer à plat sur le rail inférieur. Si le rebord est courbé aux angles au mur latéral, il sera peut-être nécessaire de limer le rebord inférieur du montant du mur s'il est arrondi.

- Nivelier le montant du mur verticalement.
- En utilisant les orifices de vis préalablement percés comme guide, marquer les emplacements des orifices sur le mur.
- Répéter les procédures avec le second montant du mur.
- Retirer le rail inférieur et les montants du mur.

**REMARQUE :** Lors de l'installation sur des carreaux en céramique, utiliser un pointeau pour ébrécher la surface glacée. Taper sur le pointeau centralement avec un marteau pour éviter une craquelure du carreau.

- Pointer délicatement les emplacements des trous.
- Percer un trou de 5/16" à chaque marque. Utiliser une mèche à maçonnerie pour des carreaux céramiques.
- Nettoyer à fond le rebord du sol de douche et le mur.
- Insérer des pièces d'ancrage en plastique dans chaque trou.



#### 4. Installer le rail inférieur

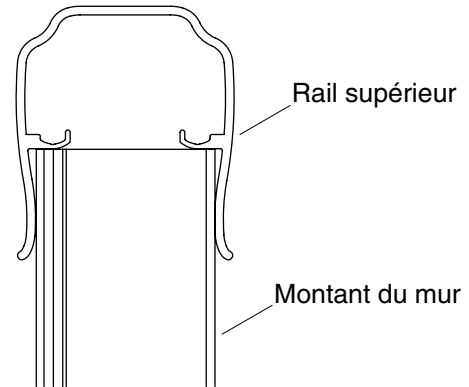
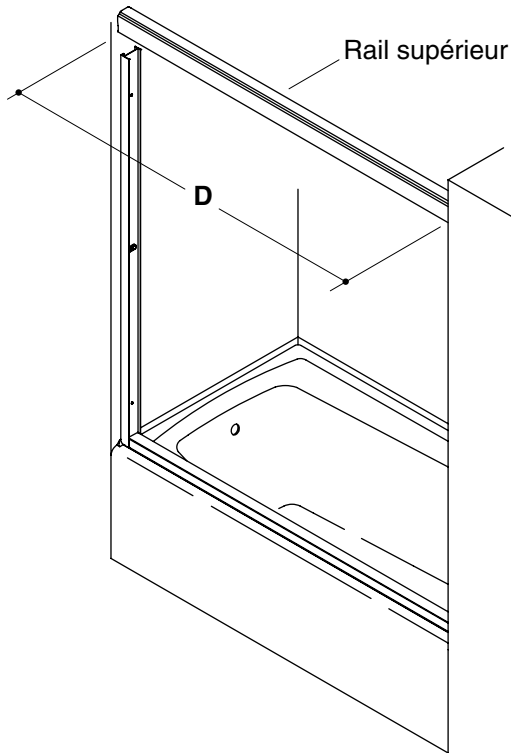
- Appliquer du mastic à la silicone de 1/4" (6 mm) dans la rainure au-dessous du rail et sur le pied opposé.
- Installer le rail inférieur avec le côté à mastic vers le bas et le pied avant face à l'extérieur de la douche.

#### 5. Installer les montants du mur

- Placer un montant du mur sur le rail inférieur. Aligner les orifices du montant avec les orifices du mur.
- Sécuriser le montant de mur à l'aide de trois vis à tête ronde #8-18 x 1-1/2".

**REMARQUE :** La vis du milieu devrait être insérée à travers un amortisseur avant d'être installée. Un endommagement de l'amortisseur pourrait avoir lieu si la vis du milieu est trop serrée.

- Répéter les procédures avec l'autre montant du mur.



Longueur du rail supérieur =  $A - 1/32''$  (1 mm)

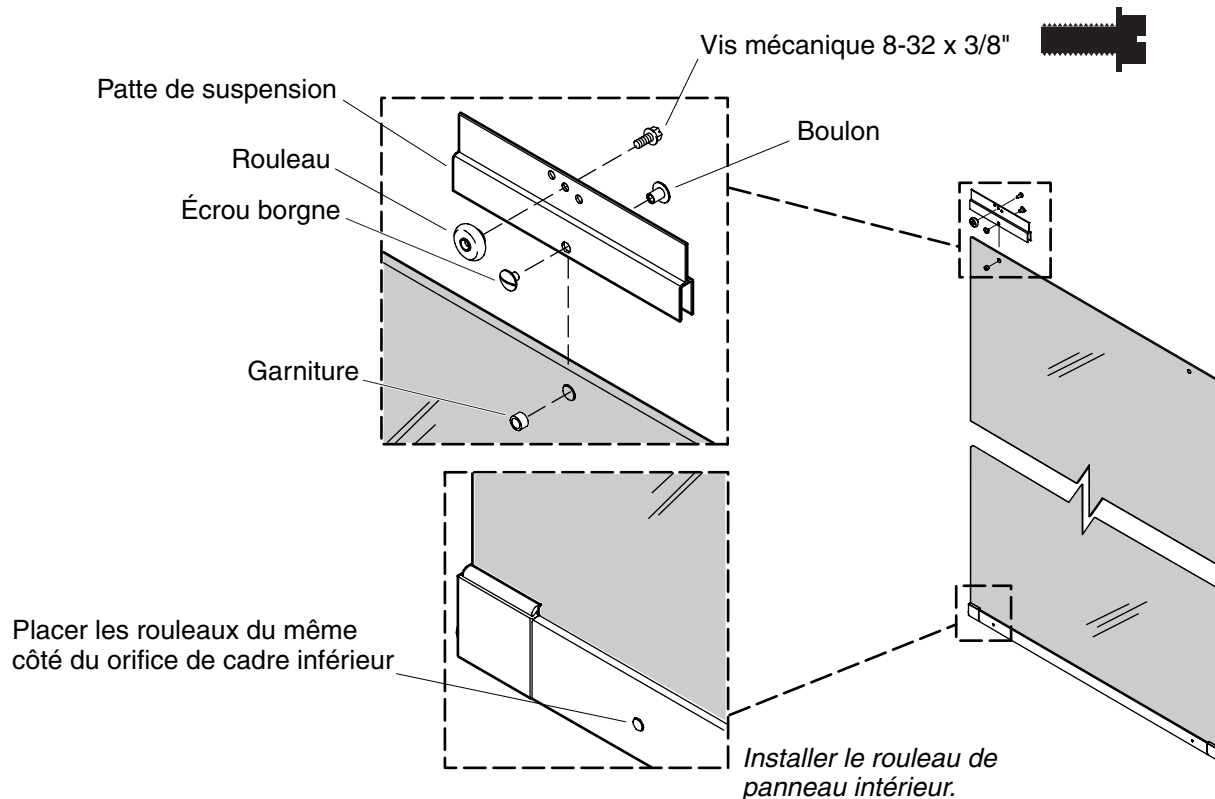
## 6. Mesurer, couper et installer le rail supérieur

- Mesurer l'ouverture de mur à mur (dimension "A") au-dessus des montants de mur installés.

**REMARQUE :** Pour des meilleurs résultats, utiliser une scie à métaux de 32 dents et une boîte à ongles.

- **Soustraire 1/32" (1 mm) à la dimension "A"** et couper le rail supérieur à cette dimension.
- En faisant attention de ne pas rayer les surfaces finies, limer avec précaution les rebords rugueux à l'extrémité coupée du rail supérieur.
- Installer le rail supérieur sur les extrémités des deux montants du mur.





## 7. Installer les supports d'ancrage— Panneau intérieur

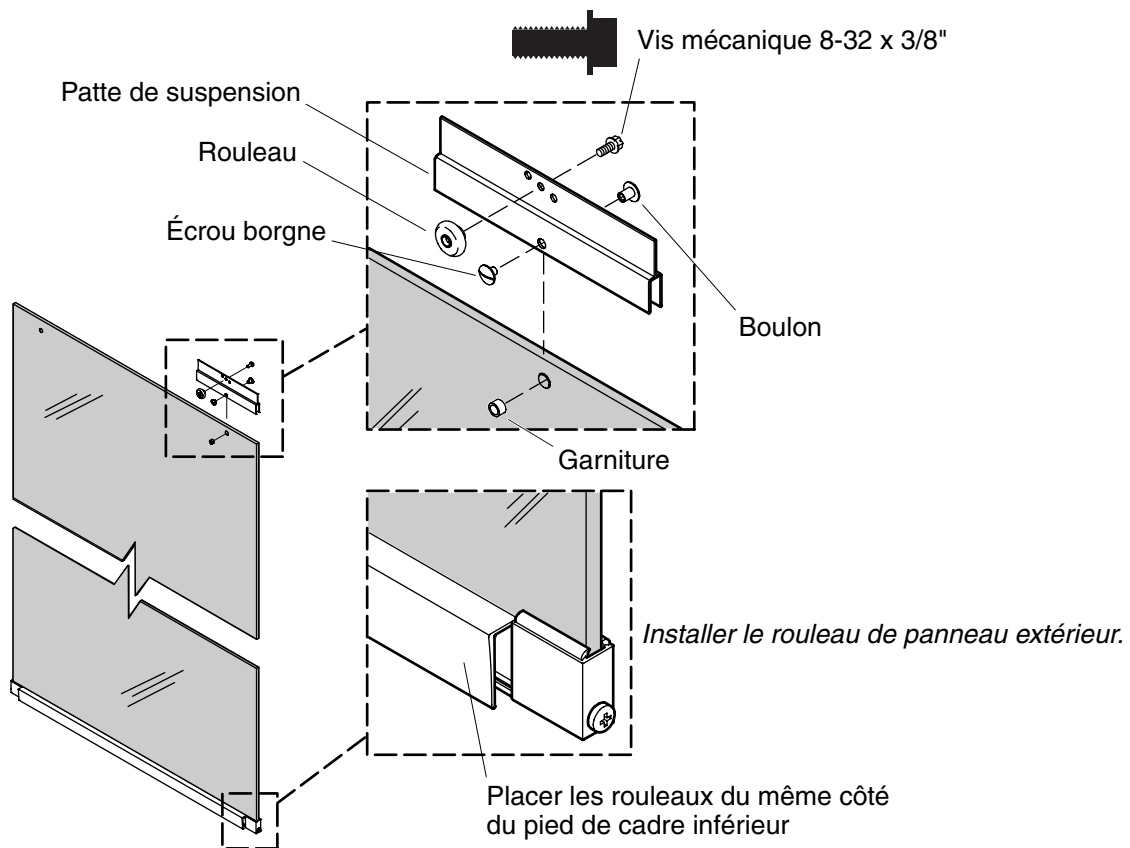


**ATTENTION : Risque de blessure ou d'endommagement du produit.** Le verre trempé non encadré ne doit pas être en contact avec les surfaces dures pour ne pas briser. Ne pas toucher les bords du panneau de verre avec des outils ou des matériaux durs. Ne pas appuyer le panneau non encadré directement sur le plancher.

- Insérer une bague dans chaque orifice, sur le dessus du panneau de verre intérieur.
- Installer un support d'ancrage sur le panneau de verre et aligner l'orifice du support avec la bague.
- Insérer un écrou borgne dans l'orifice de support d'accrochage et dans la bague. Sécuriser avec deux vis mécanique #8-32 x 3/8".
- Répéter les étapes pour installer l'autre montant sur le panneau intérieur.

**IMPORTANT !** Le côté acier du rouleau doit être installé contre les supports d'ancrage.

- Le panneau interne est installé du côté de la pomme de douche de la baignoire ou de la douche.
- Installer les rouleaux du même côté que les orifices du cadre inférieur.
- Assembler les rouleaux et les vis mécaniques #8-32 x 3/8" aux supports d'accrochage, à travers l'orifice central du support.
- Sécuriser les rouleaux.



## 8. Installer les supports d'ancrage— Panneau extérieur

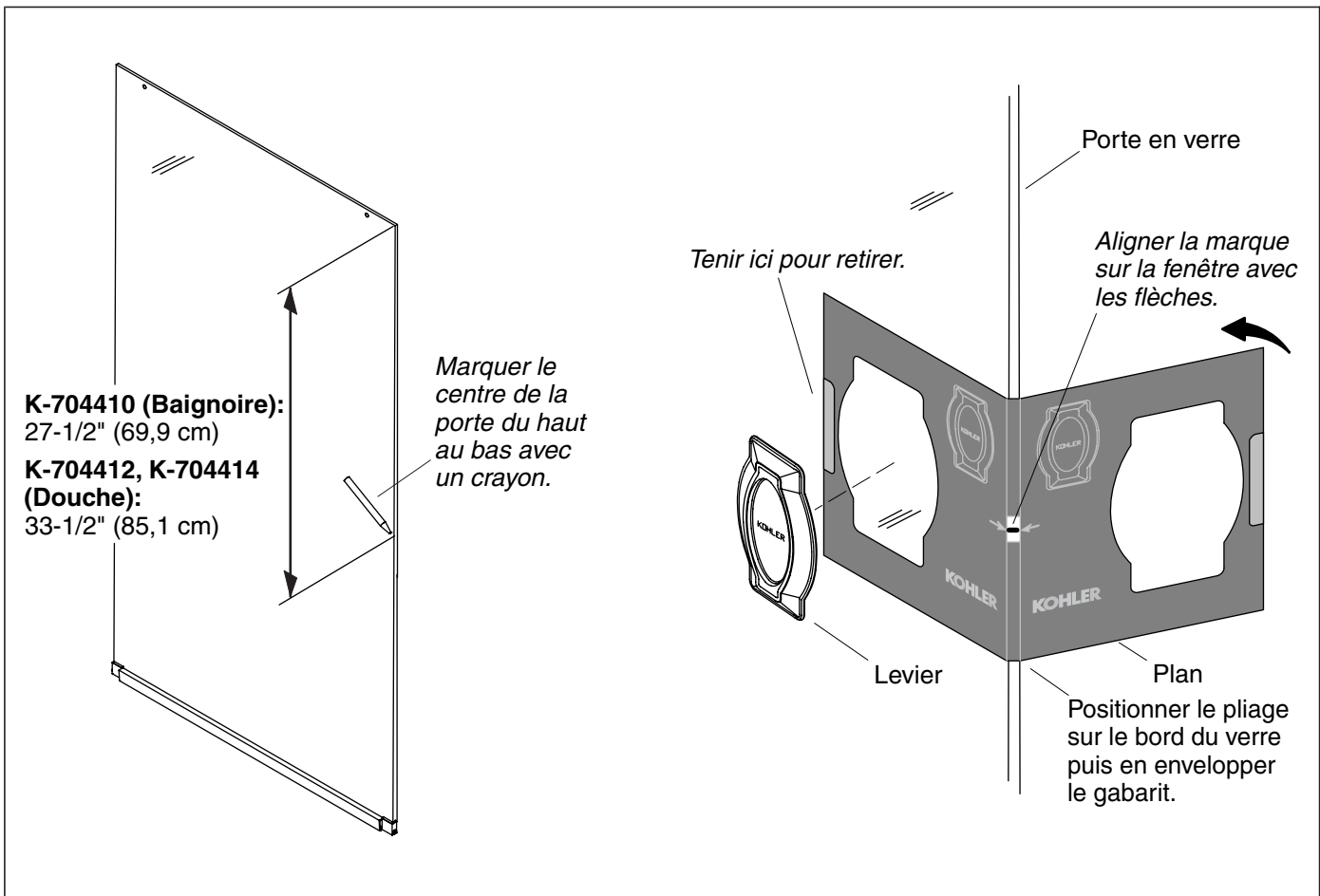


**ATTENTION : Risque de blessure ou d'endommagement du produit.** Le verre trempé non encadré ne doit pas être en contact avec les surfaces dures pour ne pas briser. Ne pas toucher les bords du panneau de verre avec des outils ou des matériaux durs. Ne pas appuyer le panneau non encadré directement sur le plancher.

- Insérer une bague dans chaque orifice, sur le dessus du panneau de verre extérieur.
- Installer un support d'ancrage sur le panneau de verre et aligner l'orifice du support avec la bague.
- Insérer un écrou borgne dans l'orifice de support d'accrochage et dans la bague. Sécuriser avec deux vis mécanique #8-32 x 3/8".
- Répéter les étapes pour installer l'autre support sur le panneau extérieur.

**IMPORTANT !** Le côté acier du rouleau doit être installé contre les supports d'ancrage.

- Installer les rouleaux du même côté que le pied cadre inférieur.
- Assembler les rouleaux et les vis mécaniques #8-32 x 3/8" aux supports d'accrochage, à travers l'orifice central du support.
- Sécuriser les rouleaux.



## 9. Installer les poignées de porte

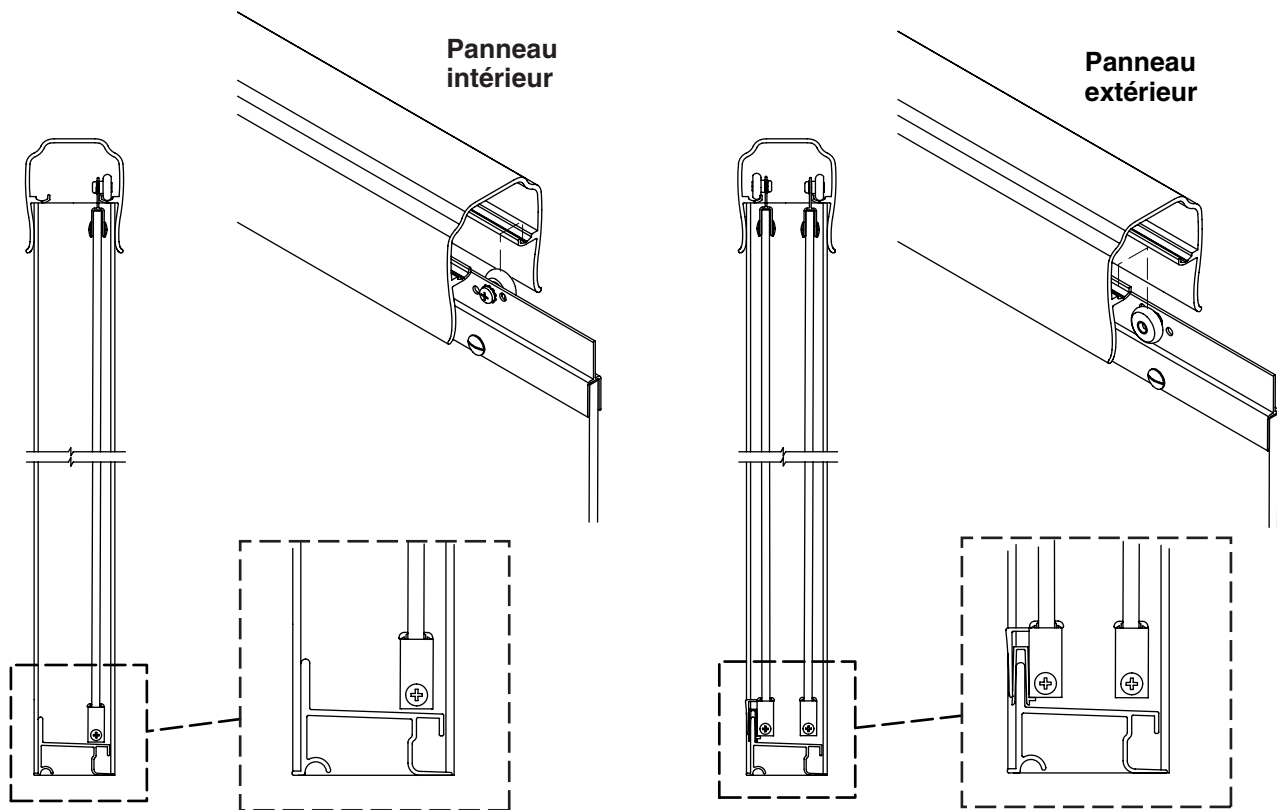


**AVERTISSEMENT :** Les poignées utilisent un adhésif résistant pour assurer une performance durable. Après avoir placé les poignées, tout réglage doit se réaliser immédiatement (dans les suivants 20 secondes). Il ne vous sera pas possible de retirer les poignées après 20 seconds.

- Le panneau interne est installé du côté de la pomme de douche de la baignoire ou de la douche.
- Déterminer l'emplacement de la poignée de porte en localisant l'axe de chaque panneau de porte du côté de la porte où la poignée sera installée. Pour la porte de baignoire K-704410, mesurer 27-1/2" (69,9 cm) à partir du dessus de chaque panneau. Pour les portes de douche K-704412 et K-704414, mesurer 33-1/2" (85,1 cm) à partir du dessus de chaque panneau. Marquer le bord du panneau de porte avec un crayon.
- Plier le gabarit et le placer sur la porte. La marque de crayon devrait être visible par la petite ouverture au milieu du gabarit. Pour un bon positionnement, aligner l'axe de la marque avec les flèches près de la fenêtre sur le gabarit.
- Retirer les papiers protecteurs de l'arrière du gabarit et le presser contre le verre jusqu'à ce qu'il soit fermement sécurisé.
- Utiliser le chiffon imbibé d'alcool fourni pour nettoyer le verre visible dans la découpe. Retirer le papier protecteur du côté adhésif de la poignée.
- S'assurer que le logotype de Kohler soit orienté vers le haut. Positionner la poignée dans la découpe du gabarit de poignée.
- Pousser sur les bords et centre de la poignée pour un bon contact. Pour régler, repositionner la poignée immédiatement.
- Installer la seconde poignée de l'autre côté du panneau intérieur.

### **Installer les poignées de porte (cont.)**

- Faire de même pour le panneau de porte externe. Installer les poignées sur le côté du panneau près du mur arrière de l'enceinte de douche.
- Attendre une heure puis retirer les gabarit en tirant la partie blanche proche de la poignée.



## 10. Installer le panneau de porte intérieur

**AVIS : Risque d'endommagement du produit.** Pour la protection de la baignoire, utiliser une bâche de protection ou matériau similaire comme couverture de protection durant ces étapes.

- À partir de l'extérieur de la douche, installer le panneau intérieur en premier. Positionner le panneau avec les rouleaux vers l'intérieur de la douche.
- Soulever le panneau intérieur à l'intérieur du rail supérieur, puis accrocher les rouleaux sur le rail intérieur.
- Rouler le panneau à nouveau d'avant en arrière le long du rail pour vérifier son bon fonctionnement. Aligner le panneau avec le montant de mur, du même côté de la pomme de douche.
- Si le panneau n'opère pas librement, un ajustage est requis. Si un réglage est nécessaire retirer le panneau.

**REMARQUE :** Si l'on déplace les rouleaux vers les orifices supérieurs de la paroi de verre, la hauteur de paroi sera abaissée. Si l'on déplace les rouleaux vers les orifices inférieurs de la paroi de verre, la hauteur de paroi sera élevée.

- Dévisser la (les) vis de rouleau et déplacer le rouleau dans un autre orifice de support d'accrochage. Insérer et serrer la (les) vis, puis raccrocher le panneau.

## 11. Installer le panneau de porte extérieur

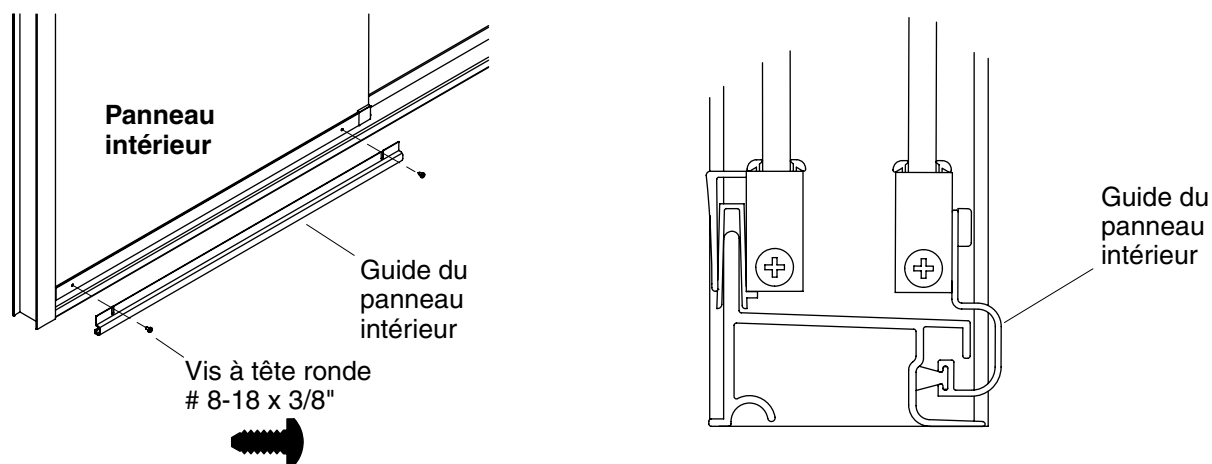
- À partir de l'extérieur de la douche, installer le panneau externe en premier. Positionner le panneau avec les rouleaux vers l'extérieur de la douche/baignoire.

### Installer le panneau de porte extérieur (cont.)

- Soulever le panneau de porte à l'intérieur du rail supérieur, puis accrocher les rouleaux sur le rail extérieur.
- Si le panneau n'opère pas librement, un ajustage est requis. Si un réglage est nécessaire retirer le panneau.

**REMARQUE :** Si l'on déplace les rouleaux vers les orifices supérieurs de la paroi de verre, la hauteur de paroi sera abaissée. Si l'on déplace les rouleaux vers les orifices inférieurs de la paroi de verre, la hauteur de paroi sera élevée.

- Dévisser la (les) vis de rouleau et déplacer le rouleau dans un autre orifice de support d'accrochage. Insérer et serrer la (les) vis, puis raccrocher le panneau.

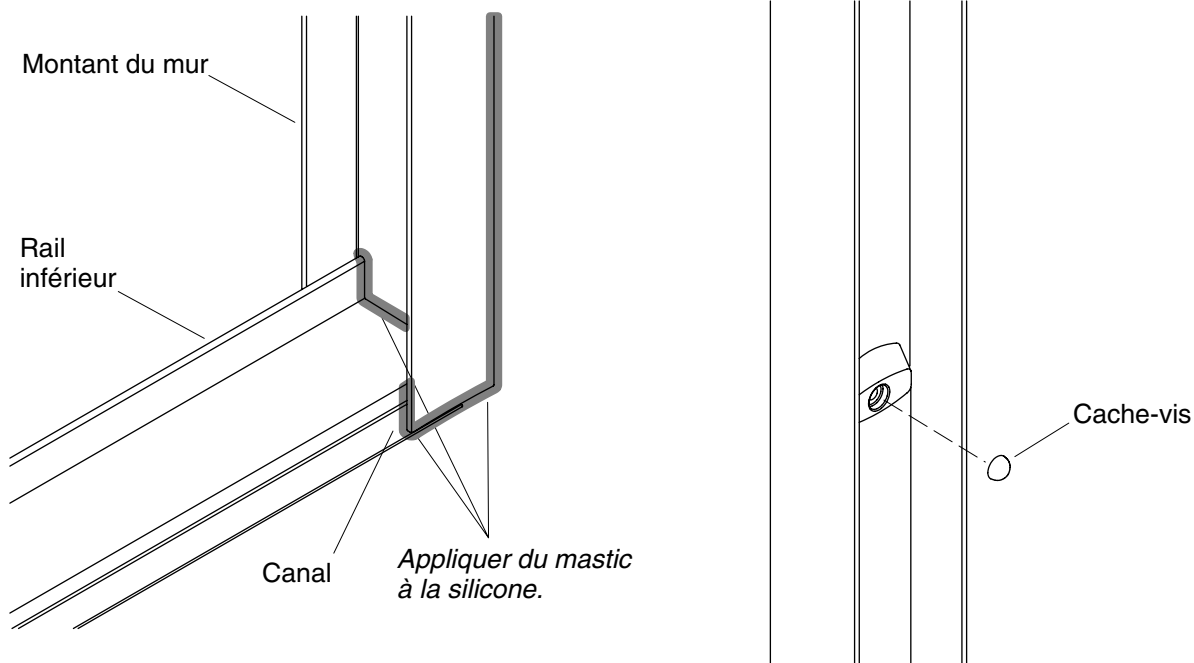


## 12. Installer le guide de panneau intérieur

**REMARQUE :** Réaliser cette étape à l'intérieur de l'enceinte.

- Loger le guide de panneau interne dans l'ouverture de rail inférieur.
- Aligner les rainures du guide du panneau avec les orifices de la base de l'intérieur du panneau du cadre.
- Installer deux vis à tête ronde #8-18 x 3/8" à travers les rainures de guide de panneau interne et dans les orifices au cadre inférieur du panneau. Ne pas serrer les vis à ce moment.
- Presser le guide du panneau dans le rail inférieur. L'asphalte devrait faire face à l'extérieur de la douche.
- Abaisser le guide de panneau légèrement pour dégager de l'espace, puis serrer les vis. Ne pas trop serrer. Si les vis sont trop serrées la porte pourrait ne pas correctement opérer.
- Déplacer les portes d'un côté à l'autre, pour vérifier que les panneaux ne se coincent pas.
- Si les panneaux coincent, desserrer et baisser le guide du panneau intérieur.

**REMARQUE :** Si la porte ne fonctionne toujours pas correctement, les rouleaux doivent être ajustés. Suivre les étapes de la section "Installer le panneau extérieur".



### 13. Appliquer du mastic à la silicone

**REMARQUE :** Nettoyer à fond de toute poussière ou saleté les surfaces inférieures et les rebords de la douche qui devront être scellés. S'assurer que les surfaces sont sèches.

- Appliquer du mastic au point de contact des montants du mur.
- Appliquer du mastic au point de contact des montants du mur et le rail inférieur.
- Appliquer du mastic dans le canal au point de rencontre du montant du mur et du rail inférieur. Se référer à l'illustration pour bien appliquer le mastic.
- Laisser le mastic prendre en suivant les instructions du fabricant avant d'utiliser la douche/baignoire.

### 14. Installer les cache-vis

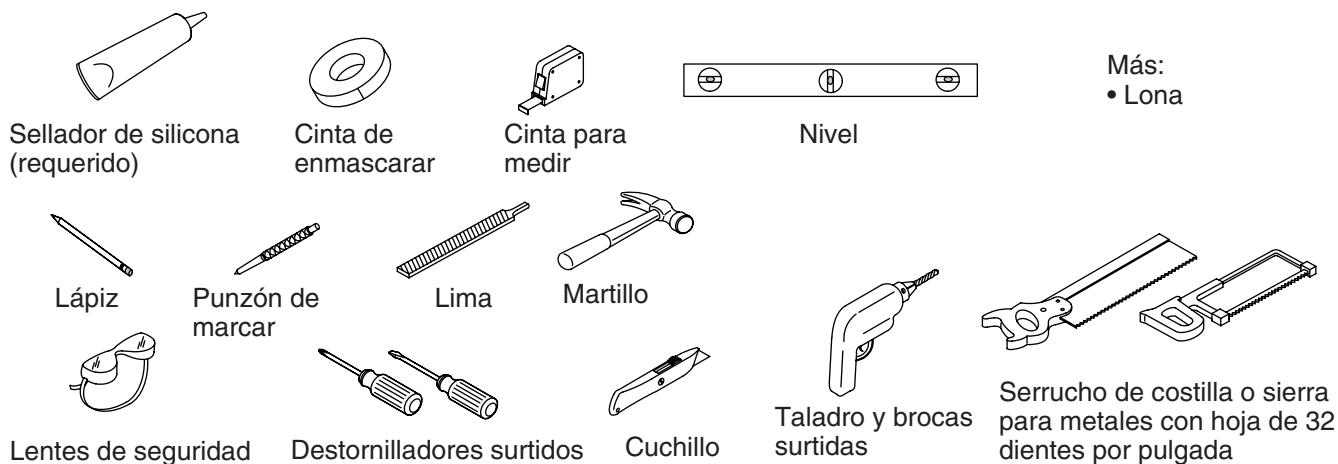
- Installer les six (6) cache-vis sur les vis de montant du mur.
- Installer les six (4) cache-vis sur les vis du cadre inférieur.
- Installer les six (2) cache-vis sur les vis du guide du panneau intérieur.



# Guía de instalación

## Puertas corredizas sin marco de bañera y ducha

### Herramientas y materiales



### Antes de comenzar



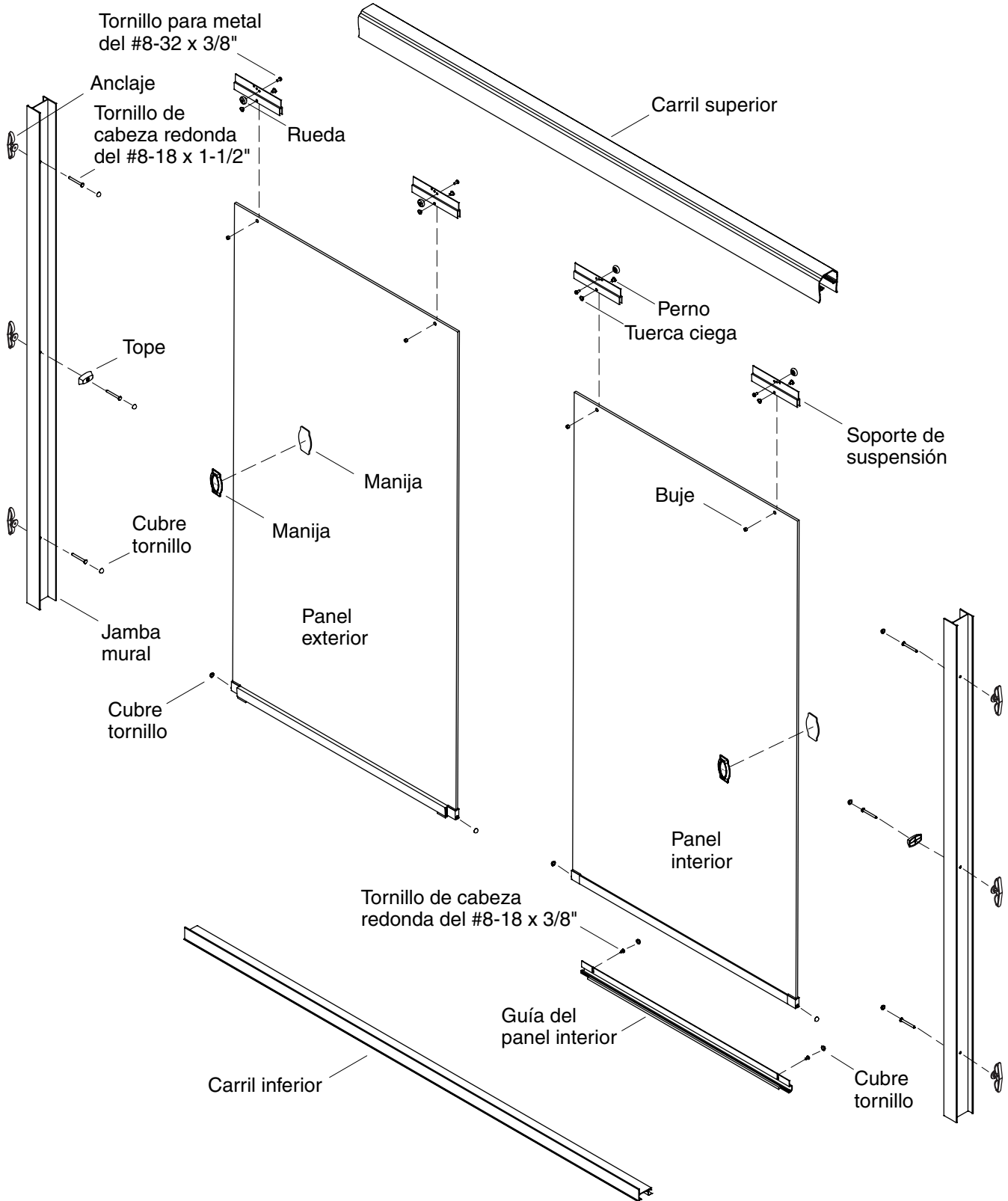
**PRECAUCIÓN: Riesgo de lesiones personales o daños al producto.** El vidrio templado sin marco no debe tocar superficies duras, ya que se puede quebrar. No toque el borde del panel de vidrio templado con herramientas u objetos duros. No coloque el vidrio templado sin marco directamente en el piso ni en otra superficie dura.



**PRECAUCIÓN: Riesgo de lesiones personales o daños al producto.** No corte el vidrio templado. Se quebrará.

**NOTA:** Si utiliza una cinta para medir que se retraiga dentro de su caja, asegúrese de añadir la longitud de la caja a la medida o mida de manera que se excluya la caja.

- La bañera o receptor de la ducha debe estar instalada o preparada, incluido los materiales de acabado de la pared, antes de continuar.
- Antes de empezar la instalación, separe e identifique todas las piezas. Revise que no tengan daños.
- Una vez realizado esto, vuelva a poner los paneles de vidrio en la caja y colóquelos en un lugar seguro hasta que los instale.
- Kohler Co. se reserva el derecho de modificar el diseño de los productos sin previo aviso, tal como se especifica en la lista de precios.



**Identificación de las piezas**

# ¡IMPORTANTE!

Error de instalación más común

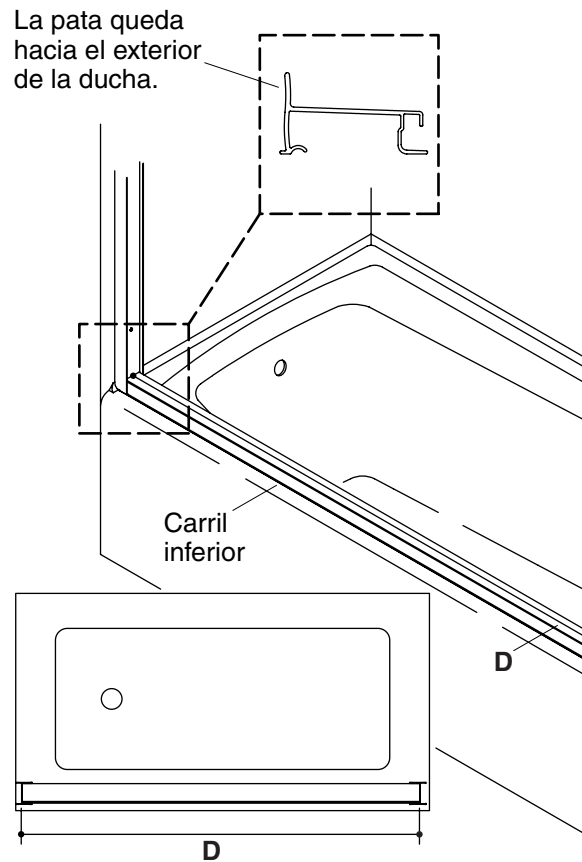
No corte el carril superior e inferior a la misma longitud para esta instalación.

Por favor, lea estas instrucciones de instalación antes de cortar el carril superior e inferior.

Si no está seguro de cómo cortar los carriles, llame a nuestro Departamento de Servicio al Cliente.

1-888-783-7546

**Instrucciones muy importantes**



## 1. Mida y corte el carril inferior



**ADVERTENCIA: Riesgo de lesiones personales.** Utilice siempre lentes de seguridad al cortar materiales.

**AVISO: Riesgo de daños al producto.** No corte el carril superior en este momento. La dimensión del carril superior no es la misma que la del carril inferior.

**¡IMPORTANTE!** Si su ducha tiene curvas en las esquinas donde entran en contacto con las paredes laterales, asegúrese de medir la distancia entre las paredes por encima de las curvas. Si no se mide por encima de las curvas o ángulos, el carril inferior podría quedar demasiado corto.

- Mida la distancia entre las paredes por la parte más plana del reborde de la ducha (dimensión "D").
- Marque la dimensión "D" en el carril inferior.

**¡IMPORTANTE!** Para mejores resultados, utilice una hoja de sierra para metales de 32 dientes y una caja de ingletes para cortar el carril inferior.

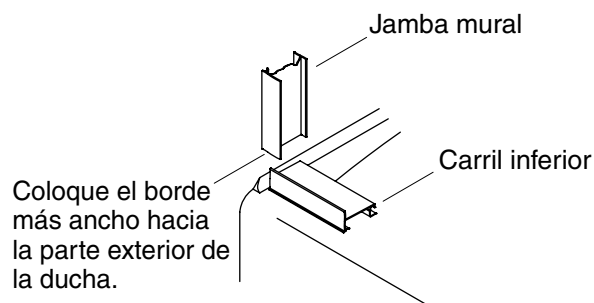
- En el extremo opuesto de la marca, alinee el extremo del inserto al ras con el extremo del carril inferior.
- **Reste 1-1/8" (2,9 cm) a la dimensión "D"** y corte el carril inferior a esta dimensión.
- Lime el filo áspero del corte del carril inferior, teniendo cuidado de no dañar la superficie acabada.

**NOTA:** Si hay curvas donde las paredes laterales se juntan con el umbral, utilice una lima para contornear los filos del carril inferior para que coincidan con las curvas, según sea necesario.

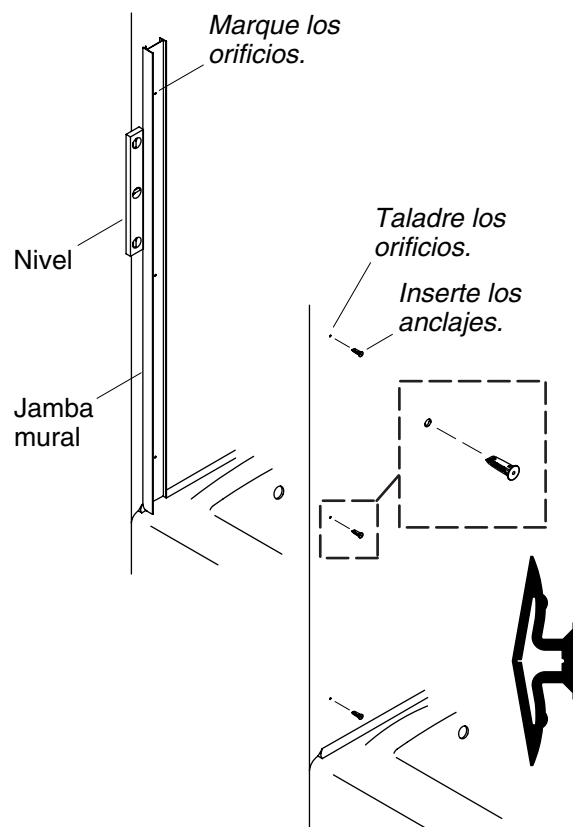
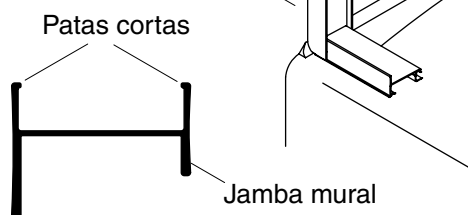
## 2. Coloque el carril inferior

**NOTA:** El carril inferior debe quedar completamente plano. Si el reborde de la bañera/ducha es curvo en las esquinas o está hecho de fibra de vidrio, puede que sea necesario contornear con una lima los extremos del carril.

- Coloque el carril inferior en la parte más plana del reborde de la bañera/ducha con la pata hacia el exterior de la ducha.
- Coloque el carril inferior de manera que la separación entre cada pared y los extremos del carril inferior sean iguales.
- Fije provisionalmente el carril inferior al reborde con cinta de enmascarar.
- Marque el reborde a lo largo del borde frontal del carril inferior con un lápiz de mina blanda.



La jamba debe apoyarse completamente contra la pared y engranarse bien en el carril inferior.



### 3. Marque el lugar de instalación de las jambas murales

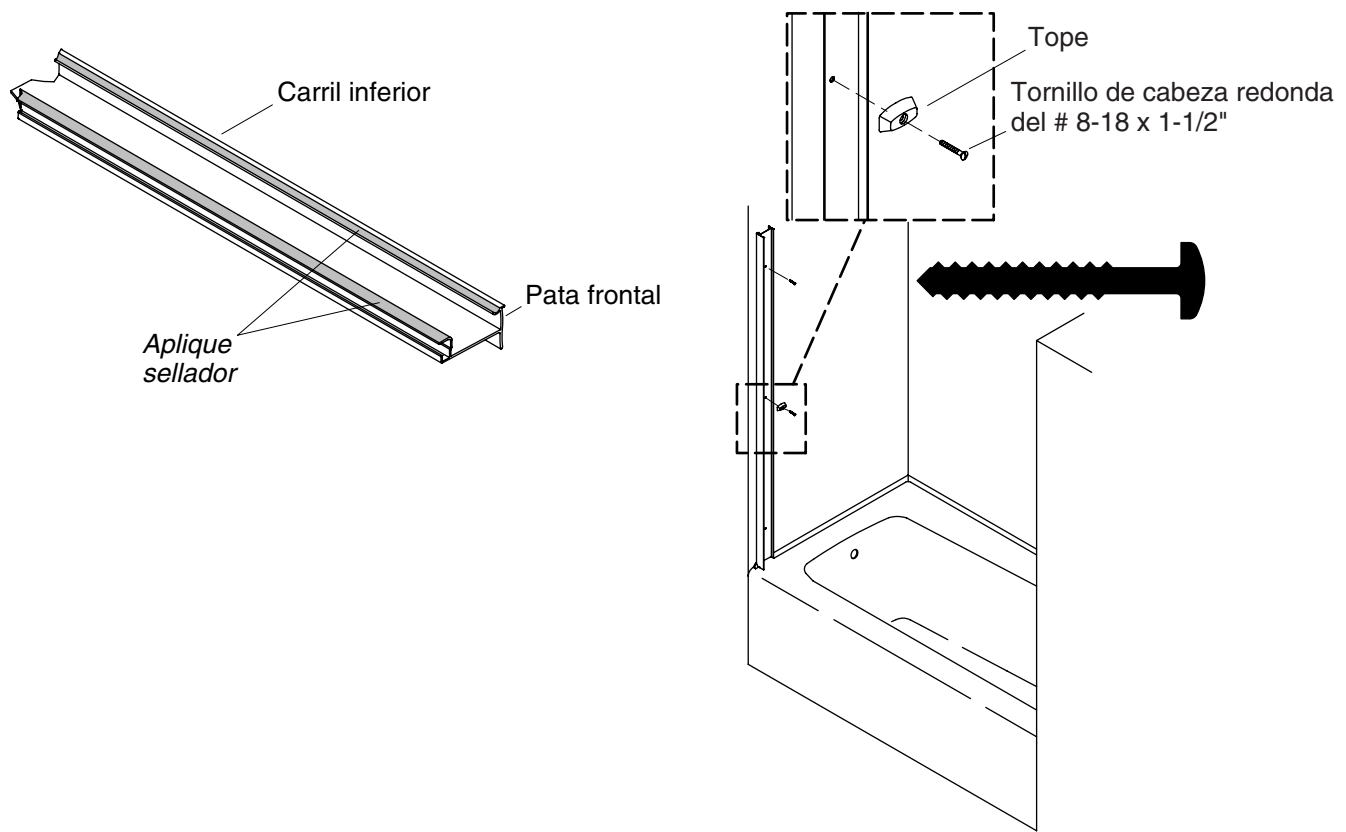
- Coloque una jamba mural contra la pared directamente sobre el carril inferior. La jamba mural debe estar plana contra la pared.
- Deslice la jamba mural sobre el carril inferior hasta que ambos encajen completamente.

**NOTA:** La jamba mural debe quedar completamente plana sobre el reborde inferior. Si el reborde es curvo en las esquinas de la pared lateral, puede que sea necesario contornear con una lima el extremo inferior de la jamba mural.

- Utilice un nivel para aplomar verticalmente la jamba mural.
- Utilizando los orificios taladrados como guía para los tornillos, marque en la pared los lugares para los orificios.
- Repita estos procedimientos con la segunda jamba mural.
- Retire el carril inferior y las jambas murales.

**NOTA:** Cuando instale en azulejos de cerámica, utilice un punzón de marcar para marcar levemente la superficie vidriada. Golpee el punzón de marcar **levemente** con un martillo para evitar fisurar el azulejo.

- Marque ligeramente los orificios con un punzón de marcar.
- Taladre un orificio de 5/16" en cada lugar marcado. En azulejo de cerámica, utilice una broca para azulejo o mampostería.
- Limpie a fondo el reborde del piso de la ducha y la pared.
- Inserte los anclajes de plástico en cada orificio.



#### 4. Instale el carril inferior

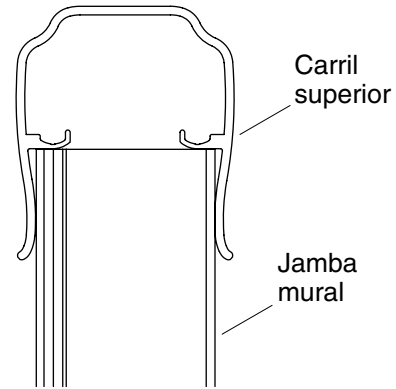
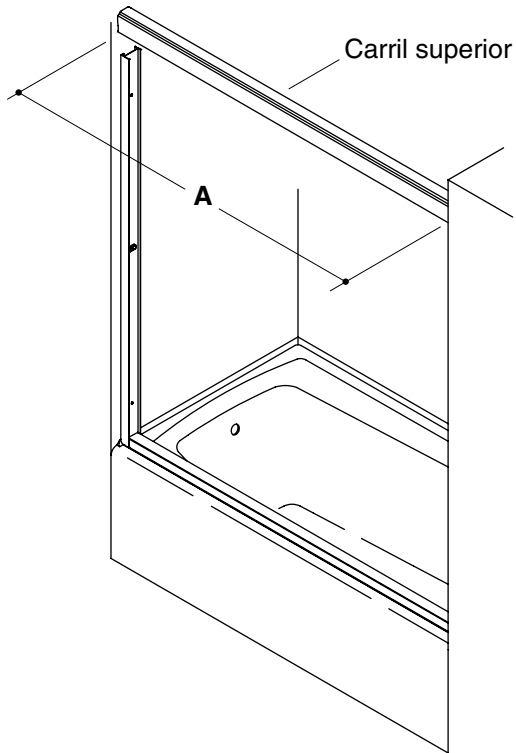
- Aplique una tira de 1/4" (6 mm) de sellador de silicona en la ranura debajo del carril y una tira pequeña en la pata opuesta.
- Instale el carril inferior con el sellador hacia abajo y la pata frontal hacia el exterior de la ducha.

#### 5. Instale las jambas murales

- Coloque una jamba mural sobre el carril inferior. Alinee los orificios de las jambas murales con los orificios de la pared.
- Fije la jamba mural a la pared con tres tornillos de cabeza redonda del #8-18 x 1-1/2".

**NOTA:** El tornillo central debe insertarse a través de un tope antes de instalarlo. No apriete demasiado el tornillo central, pues se puede dañar el tope.

- Repita los procedimientos con la otra jamba mural.



Longitud del carril superior =  $A - 1/32''$  (1 mm)

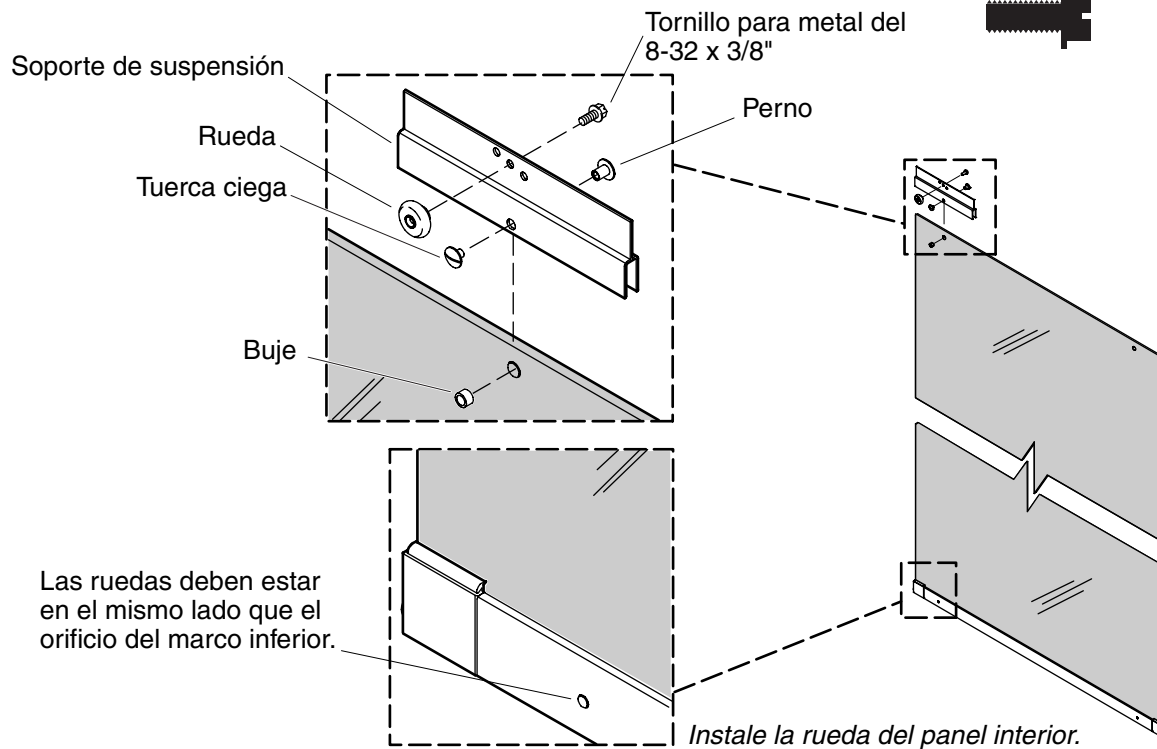
## 6. Mida, corte e instale el carril superior

- Con cuidado mida la abertura de pared a pared (dimensión "A") arriba de las jambas murales instaladas.

**NOTA:** Para obtener mejores resultados, utilice una hoja de sierra para metales de 32 dientes por pulgada y una caja de ingletes.

- **Reste  $1/32''$  (1 mm) de la dimensión "A"** y corte el carril superior a esta dimensión.
- Lime con cuidado los filos del extremo cortado en el carril superior, teniendo cuidado de no rayar las superficies acabadas.
- Instale el carril superior sobre los extremos de las dos jambas murales.





## 7. Instale los soportes de suspensión - Panel interior

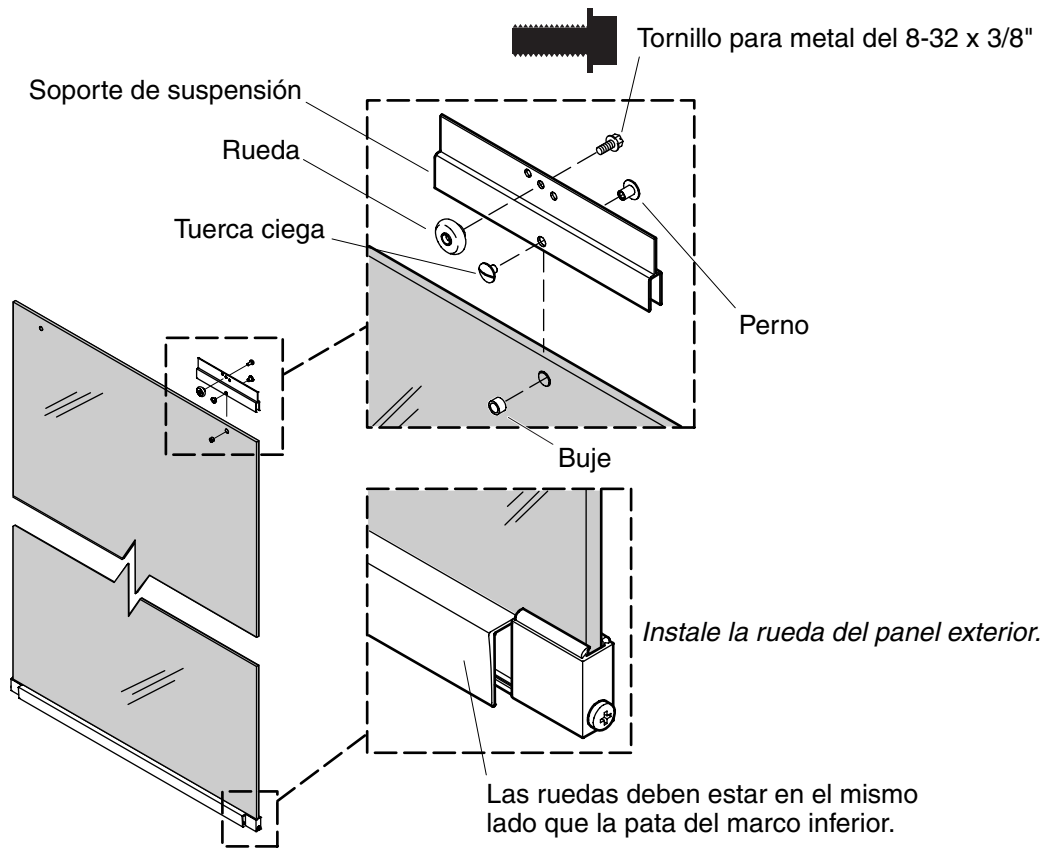


**PRECAUCIÓN: Riesgo de lesiones personales o daños al producto.** El vidrio templado sin marco no debe tocar superficies duras, ya que se puede quebrar. No toque el borde del panel de vidrio templado con herramientas u objetos duros. No coloque el vidrio templado sin marco directamente sobre el piso.

- Inserte un buje en uno de los orificios de la parte superior del panel de vidrio interior.
- Instale un soporte de suspensión sobre el panel de vidrio, alineando el orificio en el soporte con el buje.
- Inserte una tuerca ciega en el orificio en el soporte de suspensión y el buje. Fije con un tornillo para metal del #8-32 x 3/8".
- Repita los pasos anteriores para instalar el otro soporte en el panel interior.

**¡IMPORTANTE!** El lado de acero de la rueda debe instalarse contra los soportes de suspensión.

- El panel interior debe instalarse en el lado de la cabeza de ducha de la bañera o ducha.
- Instale las ruedas en el mismo lado que los orificios del marco inferior.
- Monte las ruedas y los tornillos para metal del #8-32 x 3/8" a los soportes de suspensión a través del orificio central del soporte.
- Fije las ruedas.



## 8. Instale los soportes de suspensión - Panel exterior

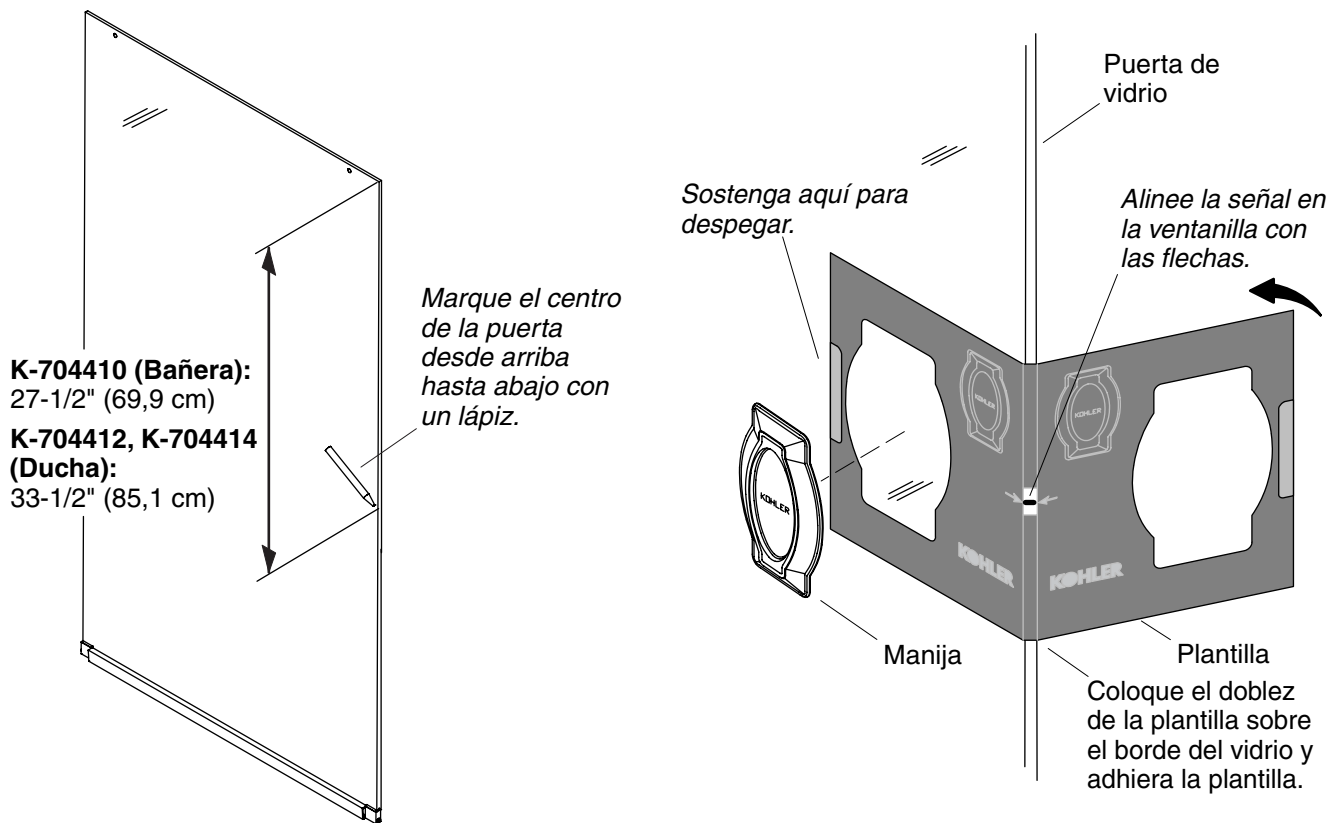


**PRECAUCIÓN: Riesgo de lesiones personales o daños al producto.** El vidrio templado sin marco no debe tocar superficies duras, ya que se puede quebrar. No toque el borde del panel de vidrio templado con herramientas u objetos duros. No coloque el vidrio templado sin marco directamente sobre el piso.

- Inserte un buje en uno de los orificios de la parte superior del panel de vidrio exterior.
- Instale un soporte de suspensión sobre el panel de vidrio, alineando el orificio en el soporte con el buje.
- Inserte una tuerca ciega en el orificio en el soporte de suspensión y el buje. Fije con un tornillo para metal del #8-32 x 3/8".
- Repita los pasos para instalar el otro soporte en el panel exterior.

**¡IMPORTANTE!** El lado de acero de la rueda debe instalarse contra los soportes de suspensión.

- Instale las ruedas en el mismo lado que la pata del marco inferior.
- Monte las ruedas y los tornillos para metal del #8-32 x 3/8" a los soportes de suspensión a través del orificio central del soporte.
- Fije las ruedas.



## 9. Instale las manijas de la puerta

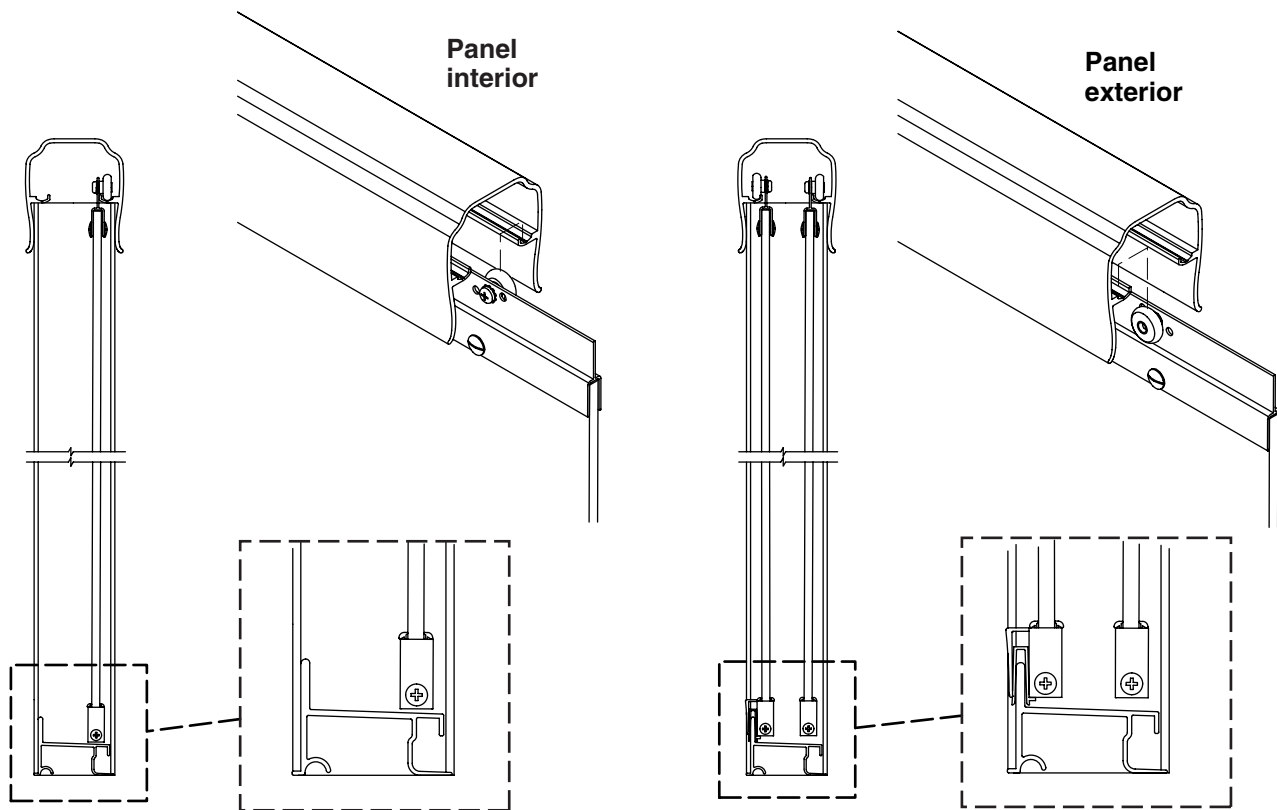


**ADVERTENCIA:** Las manijas emplean un adhesivo fuerte para asegurar un funcionamiento duradero. Una vez colocadas las manijas, todo ajuste debe realizarse de inmediato (en los siguientes 20 segundos). No será posible retirar las manijas con la mano después de 20 segundos.

- El panel interior debe instalarse en el lado de la cabeza de ducha de la bañera o ducha.
- Encuentre el lugar para la manija de puerta ubicando el punto central de cada panel de puerta en el lado de la puerta en que instalará la manija. Para la puerta de bañera K-704410, mida 27-1/2" (69,9 cm) desde la parte superior de cada panel. Para las puertas de ducha K-704412 y K-704414, mida 33-1/2" (85,1 cm) desde la parte superior de cada panel. Marque el filo del panel de puerta con un lápiz.
- Doble la plantilla y deslícela sobre la puerta. La marca de lápiz debe estar visible a través de la pequeña abertura en el medio de la plantilla. Para una colocación exacta, alinee el centro de la marca con las flechas al lado de la ventana en la plantilla.
- Despegue los protectores de cinta adhesiva de la parte posterior de la plantilla y presiónela contra el vidrio hasta que quede bien asegurada.
- Utilice el trapo de alcohol provisto para limpiar el vidrio visible en la abertura. Despegue el protector de cinta adhesiva de la manija.
- Asegúrese de colocar el logo de Kohler hacia arriba. Coloque la manija dentro de la abertura en la plantilla de la manija.
- Presione los filos y el centro de la manija para un mejor contacto. Si es necesario ajustar, cambie la posición de la manija inmediatamente.
- Instale la segunda manija del otro lado del panel interior.

### **Instale las manijas de la puerta (cont.)**

- Repita los procedimientos anteriores en el panel de puerta exterior. Instale las manijas en el lado del panel de la mampara más cercano a la pared posterior de la ducha.
- Espere una hora y retire las plantillas agarrando y jalando el área blanca cerca de la manija.



## 10. Instale el panel interior de la puerta

**AVISO: Riesgo de daños al producto.** Para proteger la bañera, utilice una lona o un material similar como protección durante estos pasos.

- Desde el exterior de la ducha, instale primero el panel interior. Coloque el panel con las ruedas hacia el interior de la ducha.
- Levante con cuidado el panel interior, introdúzcalo en el carril superior e instale las ruedas en el riel interior.
- Ruede el panel de un lado a otro a lo largo del carril para asegurarse de que funcione bien. Alinee el panel con la jamba mural del lado de la cabeza de ducha.
- Si el panel no funciona bien, puede necesitar ajuste. Si es necesario realizar ajustes, desmonte el panel.

**NOTA:** Si las ruedas se colocan en el orificio superior de los soportes de suspensión, el vidrio quedará más bajo. Si las ruedas se colocan en el orificio inferior de los soportes de suspensión, el vidrio quedará más alto.

- Afloje el tornillo o tornillos de la rueda y mueva la rueda a otro orificio del soporte de suspensión. Inserte y apriete el tornillo o tornillos y vuelva a instalar el panel.

## 11. Instale el panel exterior de la puerta

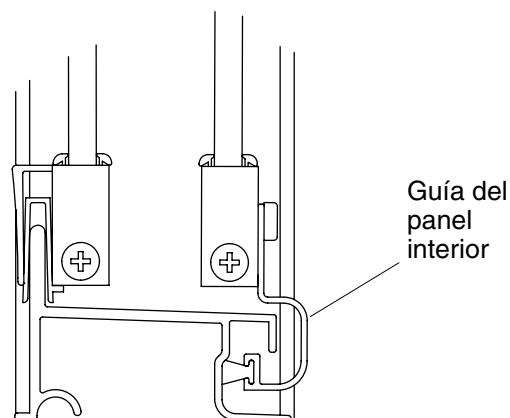
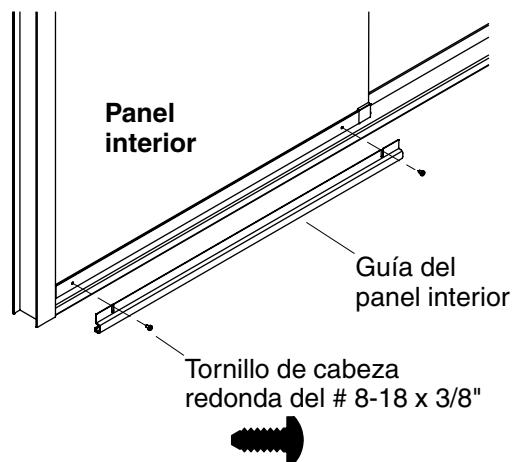
- Desde el exterior de la ducha, instale el panel exterior. Coloque el panel con las ruedas hacia el exterior de la ducha/bañera.
- Levante con cuidado el panel de la puerta, introdúzcalo en el carril superior e instale las ruedas en el riel exterior.

### **Instale el panel exterior de la puerta (cont.)**

- Si el panel no funciona bien, puede necesitar ajuste. Si es necesario realizar ajustes, desmonte el panel.

**NOTA:** Si las ruedas se colocan en el orificio superior de los soportes de suspensión, el vidrio quedará más bajo. Si las ruedas se colocan en el orificio inferior de los soportes de suspensión, el vidrio quedará más alto.

- Afloje el tornillo o tornillos de la rueda y mueva la rueda a otro orificio del soporte de suspensión. Inserte y apriete el tornillo o tornillos y vuelva a instalar el panel.

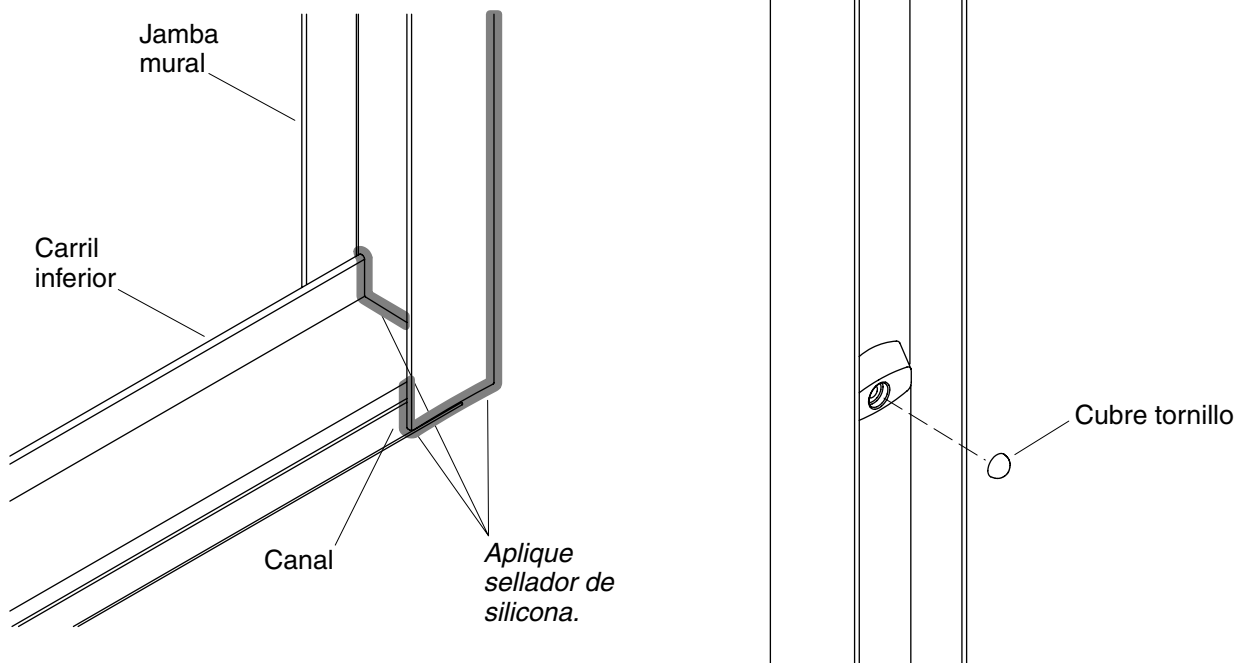


## 12. Instale la guía del panel interior

**NOTA:** Realice este paso desde el interior de la ducha.

- Encaje la guía del panel interior en la abertura del carril inferior.
- Alinee las ranuras de la guía del panel con los orificios de la parte inferior del panel del marco interior.
- Instale dos tornillos de cabeza redonda del #8-18 x 3/8" a través de las ranuras de la guía del panel interior y en los orificios del marco inferior del panel. No apriete los tornillos en este momento.
- Empuje hacia arriba la guía del panel dentro del carril inferior. El fieltro debe estar orientado hacia el exterior de la ducha.
- Baje un poco la guía del panel para dejar espacio y apriete los tornillos. No apriete demasiado. Si los tornillos se aprietan demasiado la puerta no funcionará correctamente.
- Mueva el panel de un lado a otro a lo ancho de la abertura para asegurarse de que funcione bien.
- Si el panel se atora, afloje los tornillos y baje la guía del panel interior.

**NOTA:** Si la puerta aún no funciona bien, es posible que necesite ajustar las ruedas. Realice los pasos de la sección "Instale el panel exterior".



### 13. Aplique sellador de silicona

**NOTA:** Limpie bien el polvo, la suciedad y la grasa y seque el carril inferior y las superficies del reborde de la ducha donde aplicará el sellador. Asegúrese de que las superficies estén secas.

- Aplique sellador donde hacen contacto las jambas murales y la pared.
- Aplique sellador donde hacen contacto las jambas murales y el carril inferior.
- Llene de sellador el canal donde la jamba mural y el carril inferior hacen contacto. Consulte la ilustración para la aplicación correcta del sellador.
- Permita que el sellador se seque según las instrucciones del fabricante antes de utilizar la ducha/bañera.

### 14. Instale los cubre tornillos

- Instale los (6) cubre tornillos provistos en los tornillos de las jambas murales.
- Instale los (4) cubre tornillos provistos en los tornillos del marco inferior.
- Instale los (2) cubre tornillos provistos en los tornillos de la guía del panel interior.









USA: 1-800-4-KOHLER  
Canada: 1-800-964-5590  
México: 001-877-680-1310

[kohler.com](http://kohler.com)

THE BOLD LOOK  
OF **KOHLER**®

©2007 Kohler Co.

1015439-2-C