

### Features

- CleanCoat™ glass coating
- Continuous door panel guide mechanism for smooth, quiet sliding action
- Out-of-plumb adjustability allows for easy installation
- Stainless steel hardware prevents rusting or corrosion
- Frameless 1/4" (6 mm) thick tempered safety glass with protected bottom edge for added safety

### Codes/Standards Applicable

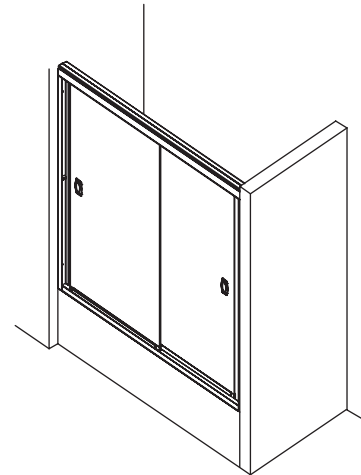
Specified model meets or exceeds the following:

- ANSI Z97.1 (tempered glass)

### BYPASS BATH AND SHOWER DOORS

# K-704410

ALSO K-704412, K-704414



### Glass Options:

- L: Clear

### Colors/Finishes:

- SH: Bright Silver
- MX: Matte Nickel
- ABV: Brushed Bronze

### Specified Model

| Model    | Description        | Glass Options              | Frame Finishes/Colors       |                             |                              |
|----------|--------------------|----------------------------|-----------------------------|-----------------------------|------------------------------|
| K-704410 | Bypass bath door   | <input type="checkbox"/> L | <input type="checkbox"/> SH | <input type="checkbox"/> MX | <input type="checkbox"/> ABV |
| K-704412 | Bypass shower door | <input type="checkbox"/> L | <input type="checkbox"/> SH | <input type="checkbox"/> MX | <input type="checkbox"/> ABV |
| K-704414 | Bypass shower door | <input type="checkbox"/> L | <input type="checkbox"/> SH | <input type="checkbox"/> MX | <input type="checkbox"/> ABV |

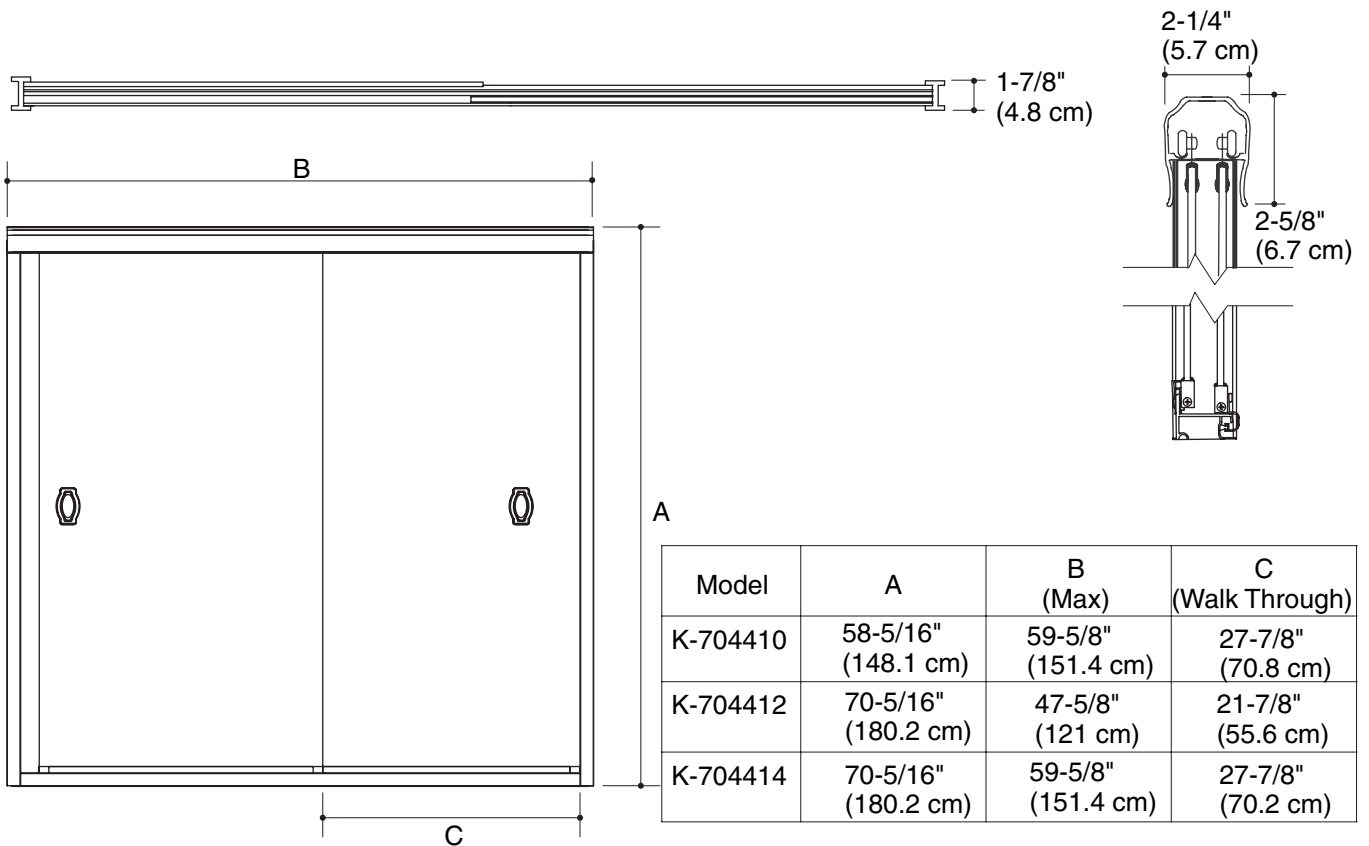
### Product Specification

The bypass bath and shower door shall have CleanCoat glass coating. The doors shall have frameless 1/4" (6 mm) thick tempered safety glass with protected bottom edge for added safety. The doors shall have a continuous door panel guide mechanism for smooth, quiet sliding action. The doors shall have out-of-plumb adjustability allowing for easy installation. The doors shall have stainless steel hardware to prevent rusting on fasteners and rollers. The door shall be Kohler Model K-\_\_\_\_\_ - \_\_\_\_\_ - \_\_\_\_\_.

# DEVONSHIRE®

## Installation Notes

Install this product according to the installation guide.



### Product Diagram