

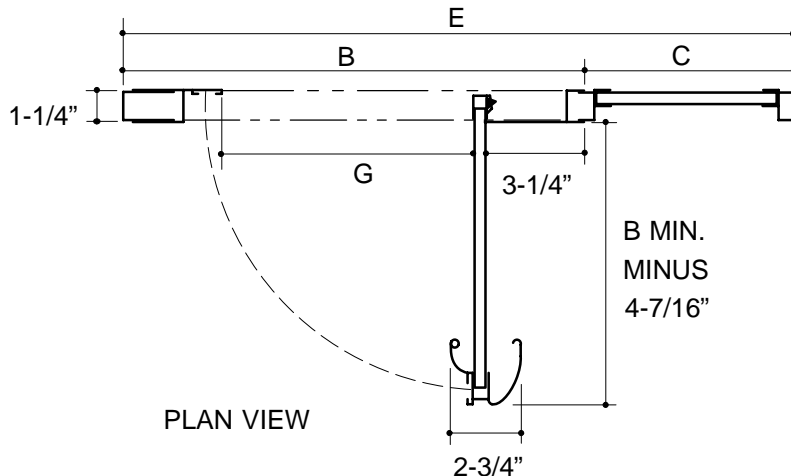
### Ordering Information

Applicable product:

Reference models and measurements below.

### Installation Notes

Refer to installation instructions included with fixture before beginning installation.



NOTE: PANEL MAY BE ATTACHED TO EITHER SIDE ON THE K-721200 CUSTOM DOOR. THE DOOR PIVOT WILL ALWAYS BE ATTACHED TO THE INLINE PANEL ON ALL OTHER MODELS NOTED.

### Roughing-In Notes

	A	B	C	E	G (MAX.)
K-701232	71"	28 to 30"	8"	36" to 38"	22"
K-701233	71"	30 to 32"	8"	38" to 40"	24"
K-701234	71"	30 to 32"	10"	40" to 42"	24"
K-701235	71"	30 to 32"	12"	42" to 44"	24"
K-701236	71"	32 to 34"	12"	44" to 46"	26"
K-701237	71"	34 to 36"	12"	46" to 48"	28"
K-701238	71"	34 to 36"	14"	48" to 50"	28"
K-701239	71"	34 to 36"	16"	50" to 52"	28"
K-701240	71"	34 to 36"	18"	52" to 54"	28"
K-701241	71"	34 to 36"	20"	54" to 56"	28"
K-701242	71"	34 to 36"	22"	56" to 58"	28"
K-701243	71"	34 to 36"	24"	58" to 60"	28"
K-701247	65"	28 to 30"	8"	36" to 38"	22"
K-701248	65"	30 to 32"	8"	38" to 40"	24"
K-701249	65"	30 to 32"	10"	40" to 42"	24"
K-701250	65"	30 to 32"	12"	42" to 44"	24"
K-701251	65"	32 to 34"	12"	44" to 46"	26"
K-701252	65"	34 to 36"	12"	46" to 48"	28"
K-721200 Custom	50" - 72"	28" - 36"	8" - 36"	36" - 72"	22" - 28"

