

KOHLER[®]

**Sonata[™] Glassworks[™] Steam ByPass
Shower Doors**

K-9808-AA, K-9809-AA, K-9846-AA

Installation Manual

Introduction

Please read these instructions carefully to familiarize yourself with the required tools, materials, and installation sequences. The Exploded Diagram of the Door on pages 3 and 4 will also provide a helpful reference when relating the location of the various parts.

All information in these instructions is based on the latest product information available at the time of publication. Kohler Co. reserves the right to make changes in product characteristics, packaging, or availability at any time without notice.

IMPORTANT CONSUMER INFORMATION

LIMITED ONE-YEAR WARRANTY

Kohler plumbing fixtures and fittings are warranted free of manufacturing defects.

Kohler Co. will, at its election, repair, replace, or make appropriate adjustment where Kohler Co. inspection discloses any such defects occurring in normal usage within one year after installation. **Kohler Co. is not responsible for installation or removal costs.**

To obtain warranty service, contact Kohler Co. either through your Dealer or Plumbing Contractor, or by writing Kohler Co., Attn: Customer Service Department, 444 Highland Drive, Kohler, WI 53044 USA, or by calling **1-800-4-KOHLER** from within the USA.

Implied warranties, including that of merchantability or fitness for a particular purpose, are expressly limited in duration to the duration of this warranty. Kohler Co. disclaims any liability for special, incidental, or consequential damages.

Some states do not allow limitations on how long an implied warranty lasts or the exclusion or limitation of special, incidental, or consequential damages, so these limitations and exclusions may not apply to you. This warranty gives you specific legal rights. You may also have other rights which vary from state to state.

This limited warranty provides specific legal rights as they apply within the USA, and other rights may be available, but may vary from country to country.

This is our exclusive written warranty.

KOHLER CO., KOHLER, WISCONSIN 53044

BASIC TOOLS AND MATERIALS NEEDED

TOOLS

6 foot folding rule or measuring tape
Hammer
Electric drill
Drill bit-1/8"
Screwdriver-Phillips #2
Level
Center Punch
Pencil
Safety glasses
Caulking gun

MATERIALS

Masking Tape
Silicone Sealant (RTV)

HOW TO CARE FOR YOUR DOOR

NEVER USE SCOURING POWDER, PADS OR SHARP INSTRUMENTS ON METAL WORK OR GLASS PANELS.

The use of a squeegee following each shower is recommended to eliminate water spots on the inside of the glass panels.

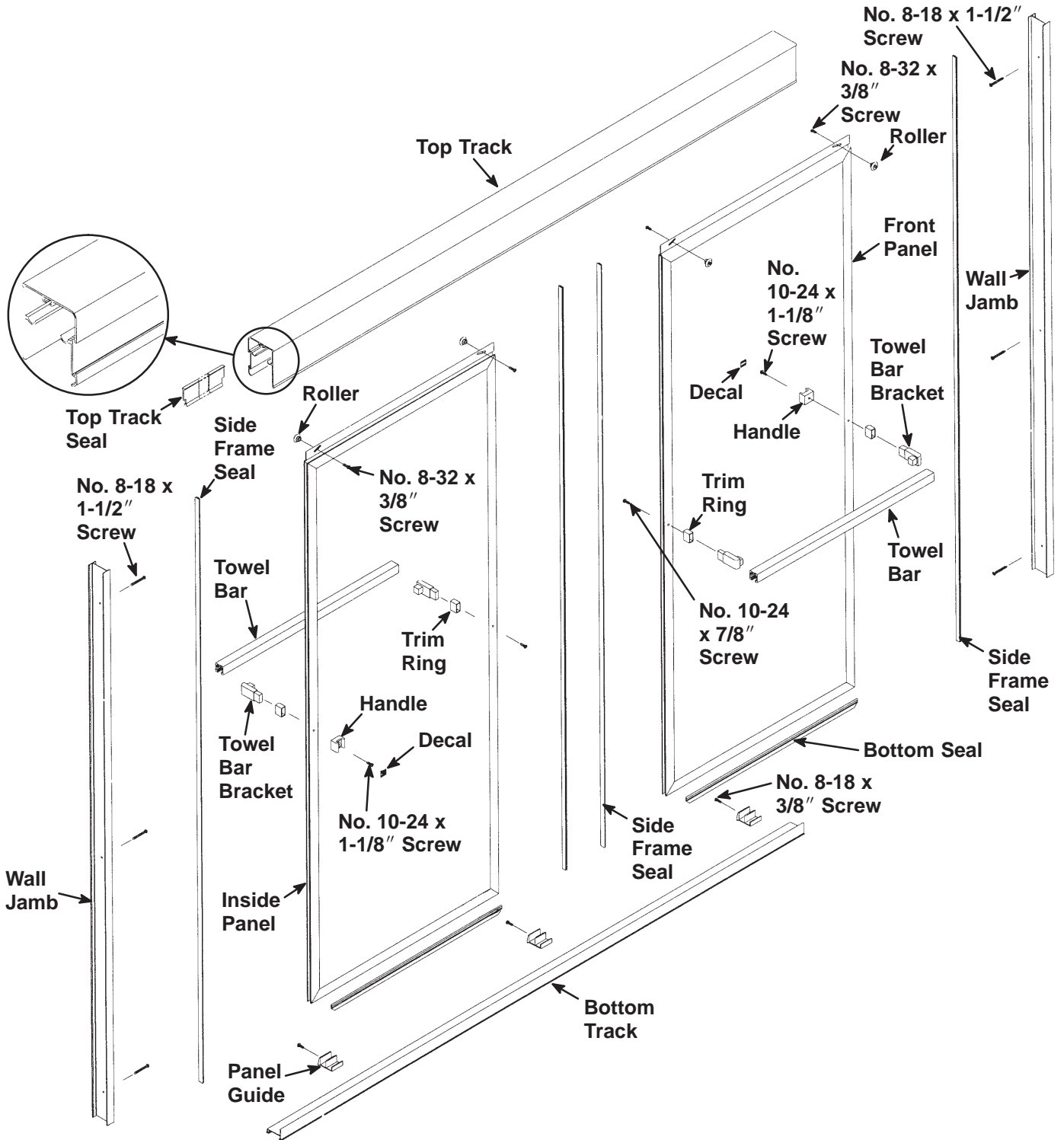
An occasional wiping down with a mild detergent diluted in water is all that is needed to keep the panels and anodized aluminum parts looking new.

Mirror panels are made of a tempered safety glass to comply with the Federal Glazing standards. You may notice some distortion in the mirror as tempered glass will not reflect a perfectly true image this is an inherent condition found in all tempered glass mirrors.

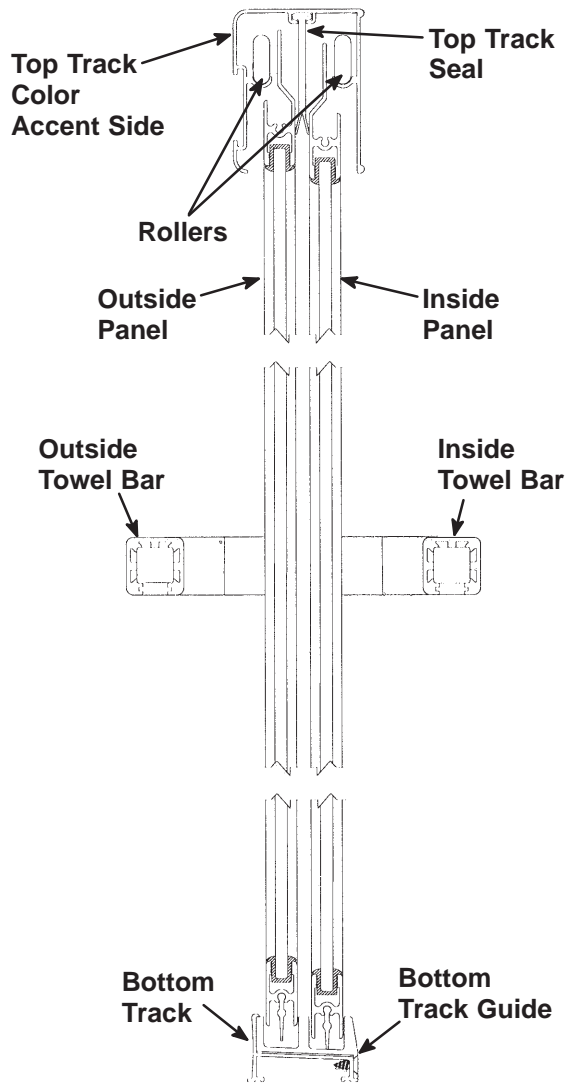
CAUTION: TEMPERED GLASS AND MIRRORS CANNOT BE CUT.

part names for installation

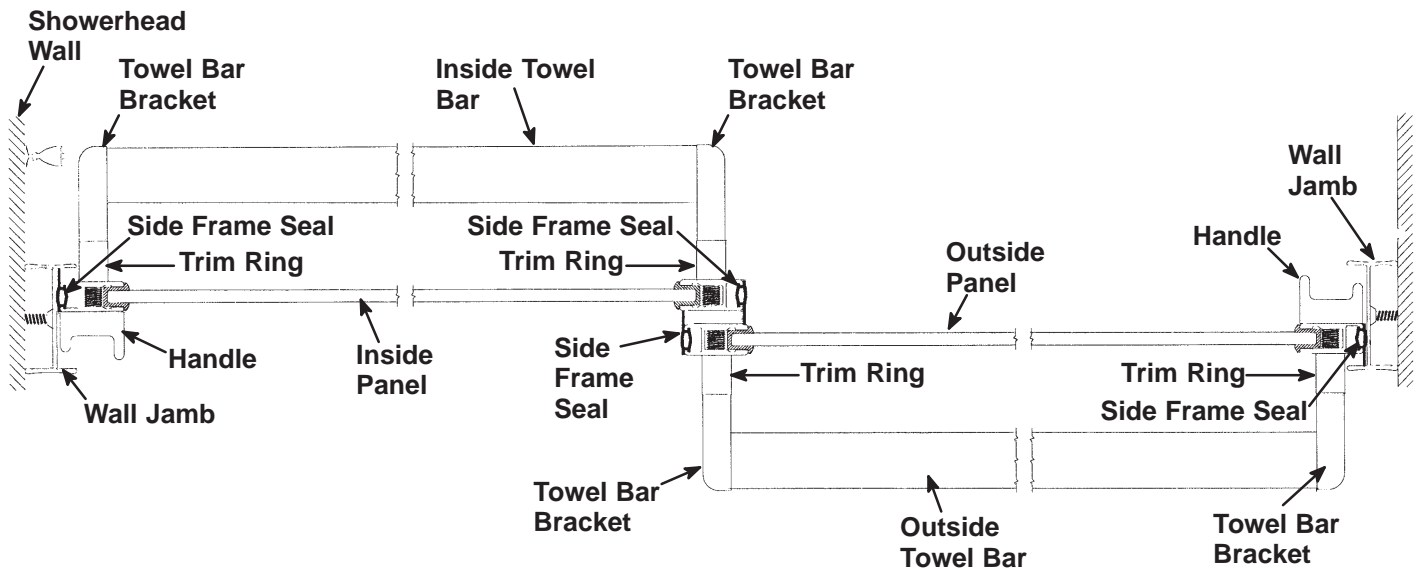
Identification Label located inside of top track.



CORRECT INSTALLATION OF PANELS, ROLLERS AND TOP TRACK SEAL



CORRECT INSTALLATION OF TOWEL BARS, HANDLES, AND SIDE FRAME SEAL



1 MEASURING, CUTTING AND LOCATING BOTTOM TRACK

NOTE: WEAR SAFETY GLASSES.

*If your shower has a curve in the corners at the side walls, be sure to measure distance **D** above curves.*

Measure distance **D** at the flattest part of the tub or shower ledge.

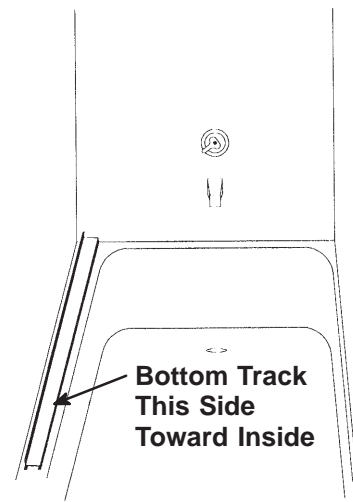
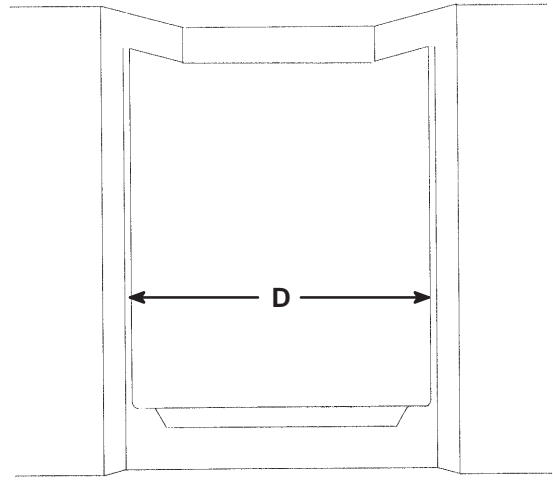
CAUTION: If a steel tape is used, be sure to add the width of the case to the measurement.

IMPORTANT: Cut an equal amount off each end of track.

Cut bottom track 1-1/16" shorter than distance **D**. For best results use a 32 tooth hacksaw blade and a miter box. File rough edges.

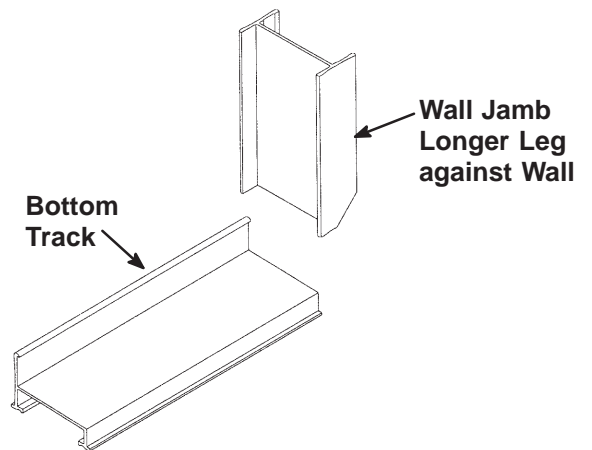
Place the bottom track on the flattest part of the ledge with the sloping face of the track towards the inside of the shower. Make sure that the space between the wall and track is the same on both ends.

Fasten the track with masking tape. Mark the ledge with a soft pencil along the front edge of the track.



2 LOCATING WALL JAMB

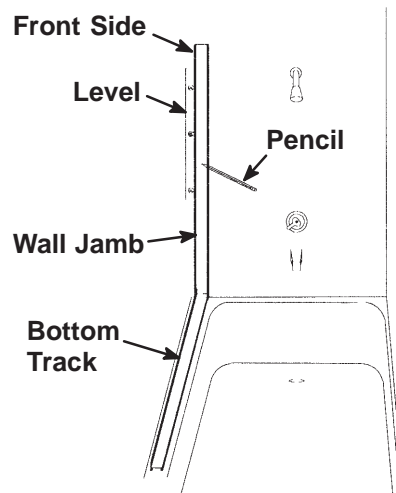
Place one wall jamb down over end of bottom track with the longer legs of wall jamb against wall. The wall jamb must sit flat against the wall with legs of wall jamb fully engaged with bottom track.



3 MARKING HOLE LOCATIONS AND DRILLING HOLES

Use a level to plumb the wall jamb as shown and mark the 3 hole locations.

Repeat procedure at opposite end of shower with other jamb.



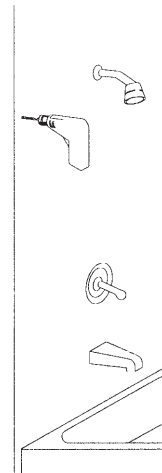
4 DRILLING HOLES

NOTE: WEAR SAFETY GLASSES.

Lightly center punch the 3-hole locations for each wall jamb. Remove the bottom track from the tub or shower ledge.

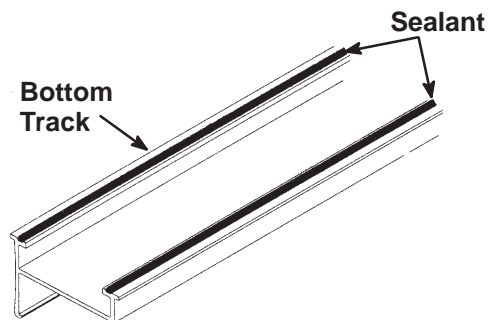
Drill all 6 holes for the wall jambs using a 1/8" drill bit. After drilling, thoroughly clean the tub or shower ledge.

Discard anchors in parts kit.



5 SEALING BOTTOM TRACK

Apply sealant to the grooves on the underside of the bottom track. Apply enough to just barely overfill the grooves. This will give a good seal with the ledge. Install bottom track on ledge at location marked in step 1. Fasten the track with masking tape.

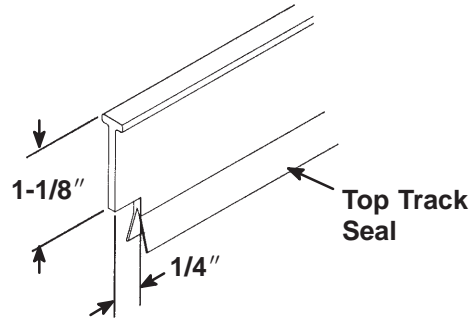
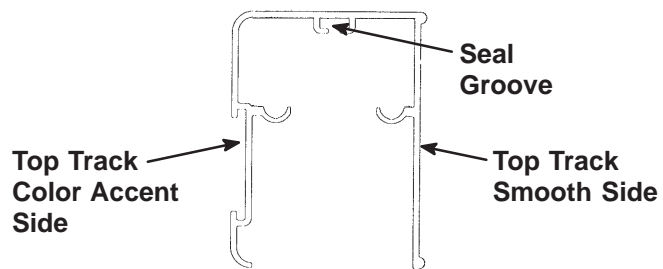


Turn over before installing on ledge.

6 MEASURING AND CUTTING TOP TRACK SEAL

Measure and cut the top track seal the same length as top track. Notch each end of seal as shown and slide into top track. Water or petroleum jelly may help in sliding the seal in place.

IMPORTANT: If a steam leak exists at the top of the door, order Kohler Service Kit 94140.



7 INSTALLING TOP TRACK AND WALL JAMBS

The optional K-9894 color accent strip must be installed in top track before installing top track. Refer to instructions packed with strip. If the accent strip is not used, install top track with smooth side toward front.

Place one wall jamb down over the bottom track and align the holes in the wall jamb with the holes in wall. Secure with # 8-18 x 1-1/2" flathead screws provided.

Place the other wall jamb up into the top track and place top track over end of installed wall jamb while placing the other wall jamb down over bottom track. Secure with # 8-18 x 1-1/2" flathead screws.

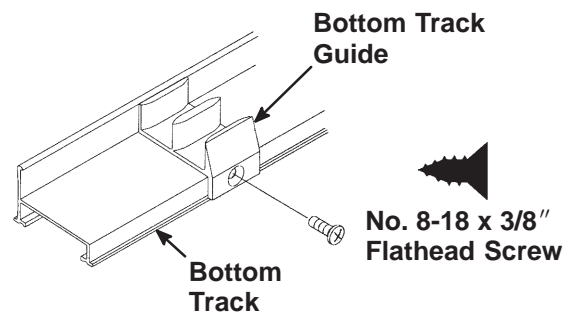


No. 8-18 x 1-1/2" Flathead Screw

8 INSTALLING BOTTOM TRACK PANEL GUIDES

Place a panel guide on the bottom track and locate the hole in the guide over one of the pre-drilled holes in the bottom track and secure guide with a # 8-18 x 3/8" flathead screw.

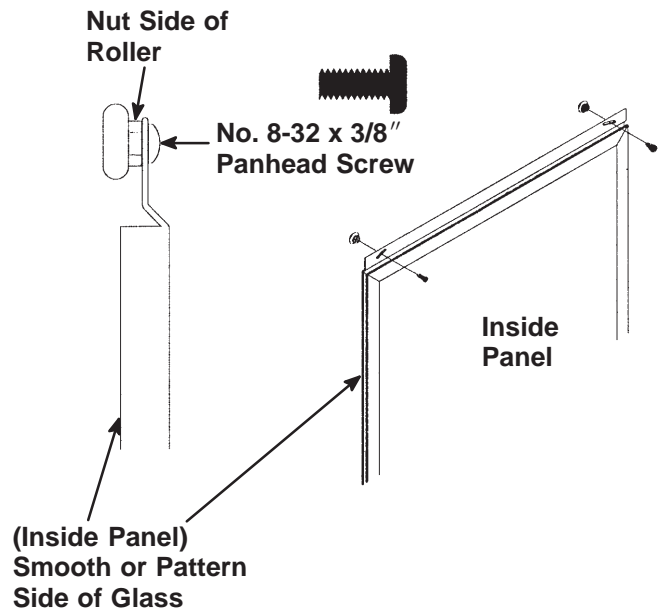
Repeat same procedure for the other 2 guides.



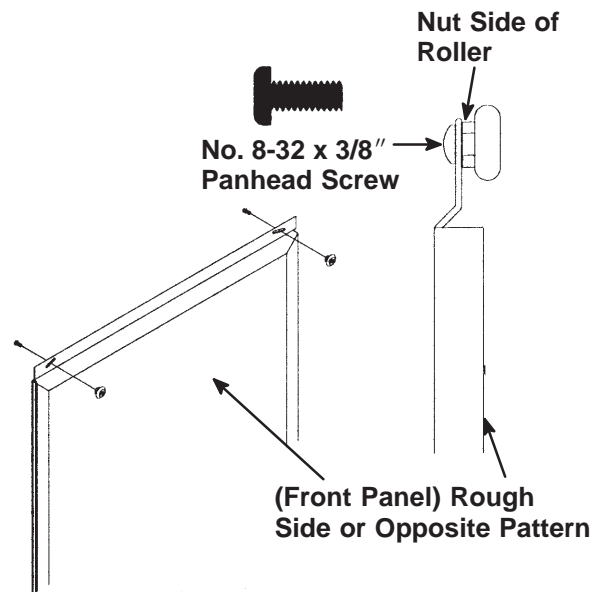
9 INSTALLING ROLLERS

Using # 8-32 x 3/8" panhead screws, assemble two rollers on each panel as shown. **NOTE: The nut side of roller must be installed against frame.**

INSIDE PANEL—Install the rollers toward the smooth side of glass. Glass with patterns, install the rollers toward the pattern side of glass.



FRONT PANEL—Install the rollers toward the rough side of glass. Glass with patterns, install the rollers opposite the pattern side.



10 INSTALLING TOWEL BARS

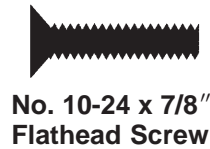
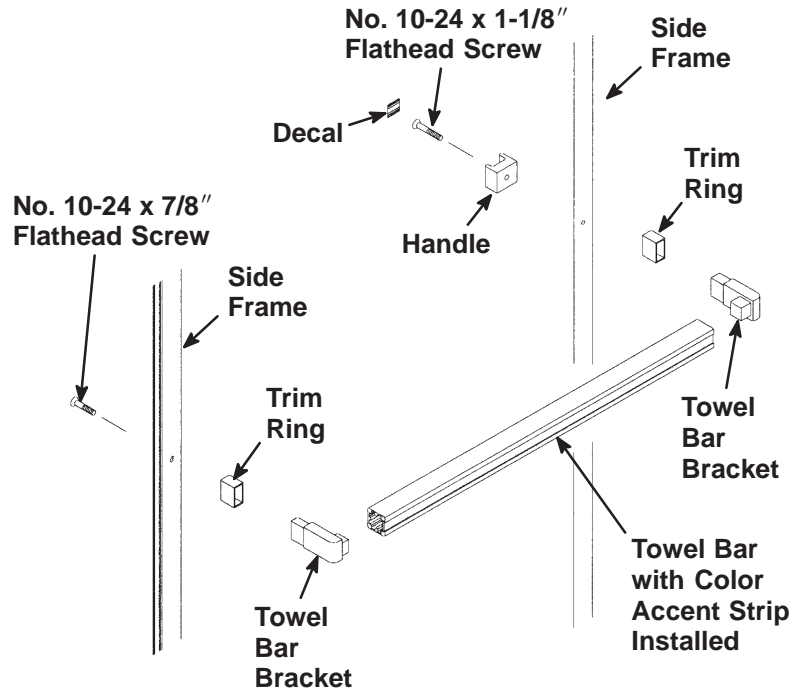
The optional K-9894 Color Accent Strip must be installed in towel bars before installing. Refer to instructions packed with strip.

Review page 4 for correct installation of towel bars and handles.

Insert a towel bar bracket into each end of towel bar with open end of towel bar toward bottom track. Place a trim ring over each end of towel bar bracket.

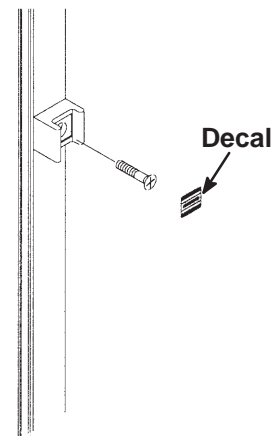
Position the inside panel toward the showerhead side.

Place the towel bar brackets over the holes in each side frame of inside door panel. Through the hole in side frame opposite the showerhead, attach bracket to side frame with a # 10-24 x 7/8" flathead screw. On the opposite side frame, place a handle on the front side of side frame with shorter leg toward showerhead side wall jamb. Attach with a # 10-24 x 1-1/8" flathead screw.



Peel backing from the decal and insert into recess of handle.

Position the front panel toward the wall jamb opposite the showerhead. Repeat procedure for the outside towel bar with the handle attached to the inside of side frame toward the wall jamb opposite showerhead side.



11 INSTALLING PANELS

Remove masking tape from bottom track.

From inside shower, install the front panel first. Lift it up inside the top track and hang the rollers on the outside rail of the top track. Lower the panel bottom frame into the bottom track guides. Slide the front panel against the wall jamb opposite the showerhead. If the panel does not align with the wall jamb, remove panel, loosen roller screw(s), move roller(s) in slot to align door panel, tighten screw(s) and rehang panel.

Lift the inside panel up inside the top track and hang the rollers on the inside rail of the top track. Align with the wall jamb on the same side as showerhead. Adjust rollers if necessary, using same procedure as for the front panel.

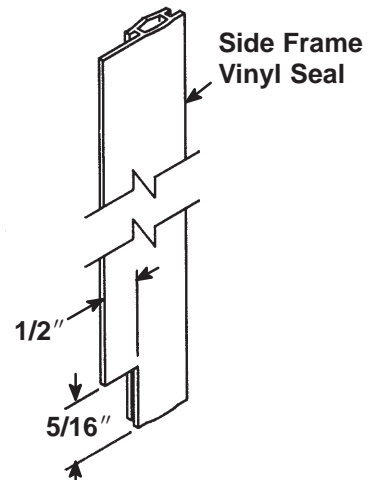
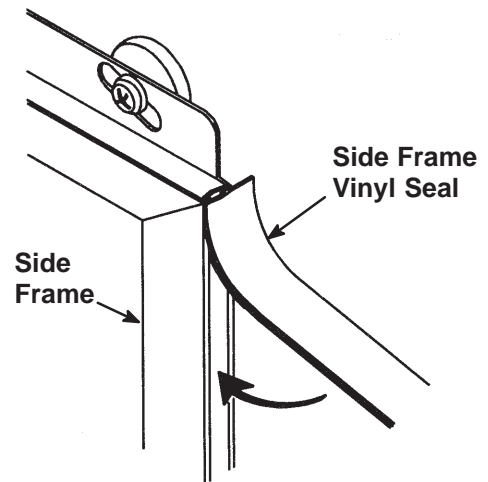
Seals on the bottoms of the doors should contact the bottom track.

Review drawing on page 4 for correct installation of panels.

12 INSTALLING SIDE FRAME SEAL

Push the vinyl seal into each side frame of inside and outside door panel. Review page 4 for correct installation of seal.

Trim excess vinyl seal with sharp knife and notch each seal at bottom as shown.



13 SEALING

From inside shower, carefully seal where:

- A. Wall jambs, top track and wall meet.
- B. Bottom track and wall jamb join.
- C. Bottom track and tub ledge meet.

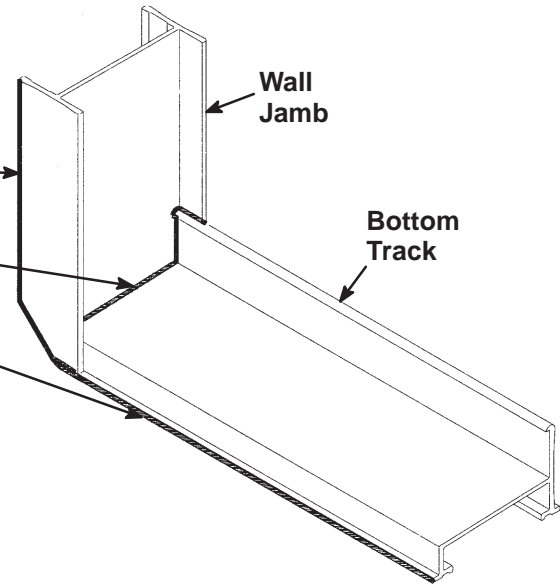
Also seal with Silicone Sealant where top track meets the top of enclosure if the gap is 1/4" or less.

Fasten bottom track with masking tape.

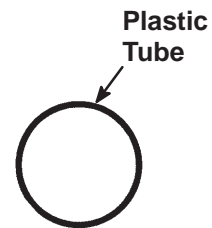
For superior water retention when the Glassworks Steam Bypass Door is used on such units as the Kohler BodySpa Module Bathing System, apply sealant along the outside edges of both wall jambs. Also apply sealant along the outside edge of the bottom track.

Allow Silicone Sealant to set 24 hours before use.

Remove masking tape after sealant has set.



NOTE: From inside the shower, seal with plastic tubing if the gap between top track and top of enclosure is more than 1/4".



CALL US FOR HELP

Questions? Problems? First review the installation instructions to ensure correct installation. For additional assistance in the USA, call our Customer Service Department for direct help. You may also contact us at our web site listed below.

1-800-4-KOHLER

THE BOLD LOOK
OF **KOHLER**[®]
www.kohlerco.com