

### Features

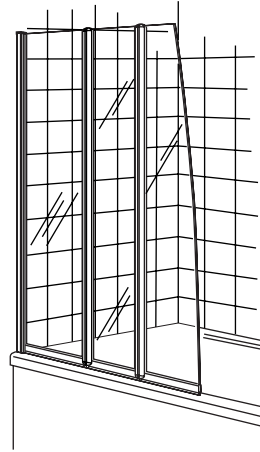
- Polished anodized aluminum framing
- Coated glass for easy cleaning
- Pivoting panels
- No bottom track on the bath for clean aesthetics and ease of cleaning
- Available in both right and left side entry
- 3/16" (5 mm) thick tempered safety glass
- 61" (154.9 cm) height

### Codes/Standards Applicable

Specified model meets or exceeds the following:

- ANSI Z97.1 (tempered glass)
- CPSC 16CFR 1201 CAT II

## TRIPLE PANEL BATH ENCLOSURE K-705792 ALSO K-705793



### Glass Options

- L: Clear

### Frame Finishes/Colors:

- SHP: Polished Silver

### Specified Model

Model	Application	Glass Options	Finishes/Colors
K-705792	Triple panel bath enclosure, left-hand (shown)	<input type="checkbox"/> L	<input type="checkbox"/> SHP
K-705793	Triple panel bath enclosure, right-hand	<input type="checkbox"/> L	<input type="checkbox"/> SHP

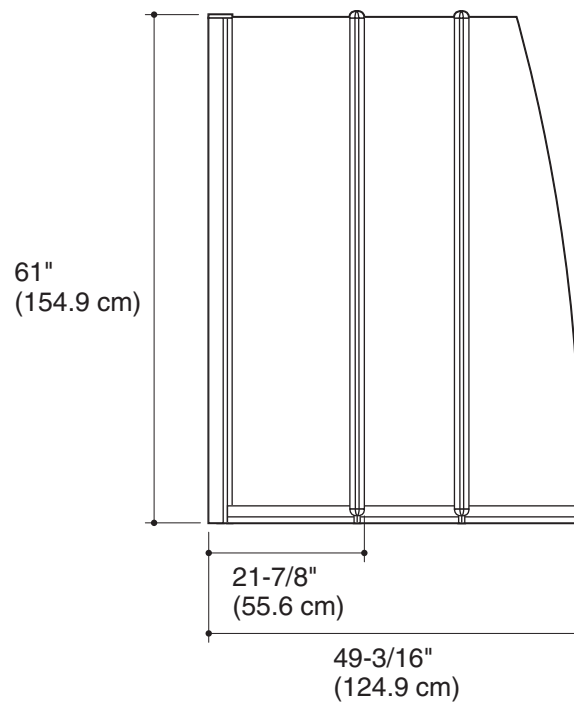
### Product Specification

The triple panel bath enclosure shall have polished anodized aluminum framing with 3/16" (5 mm) thick tempered safety glass. Product shall be 61" (154.9 cm) in height. Product shall feature pivoting panels. Product shall feature coated glass for easy cleaning and no bottom track along the bath for clean aesthetics and ease of cleaning. Product shall be available in both right and left side entry. The triple panel bath enclosure shall be Kohler Model K-\_\_\_\_\_-L-SHP.

# MINIMA™

## Installation Notes

Install this product according to the installation guide.



### Product Diagram