

### Features

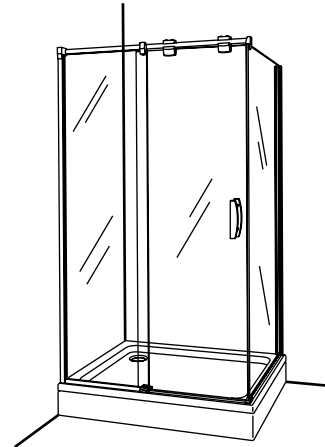
- Polished anodized aluminum framing
- Heavy 5/16" (8 mm) and 3/8" (10 mm) glass for strong structure and beautiful appearance
- Coated glass for easy cleaning
- Frameless design highlights shower enclosure area
- Quality mechanisms for sliding panel
- Available in both right and left side entry
- 79-1/8" (201 cm) height

### Codes/Standards Applicable

Specified model meets or exceeds the following:

- ANSI Z97.1 (tempered glass)
- CPSC 16CFR 1201 CAT II

## SHOWERING ENCLOSURE K-705790 ALSO K-705791



### Glass Options

- L: Clear

### Frame Finishes/Colors:

- SHP: Polished Silver

### Specified Model

Model	Description	Glass Options	Finishes/Colors
K-705790	Showering enclosure, left-hand	<input type="checkbox"/> L	<input type="checkbox"/> SHP
K-705791	Showering enclosure, right-hand (shown)	<input type="checkbox"/> L	<input type="checkbox"/> SHP

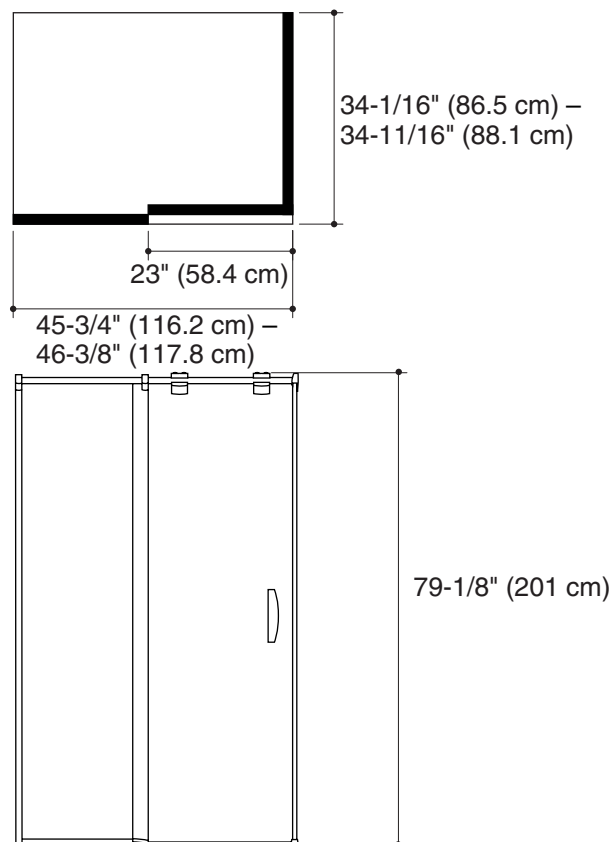
### Product Specification

The showering enclosure shall have polished anodized aluminum framing with 5/16" (8 mm) and 3/8" (10 mm) glass for strong structure and beautiful looks. Product shall be 79-1/8" (201 cm) height. Product shall feature a frameless design which highlights the shower enclosure area. Product shall feature quality mechanisms for the sliding panel. Product shall feature coated glass for easy cleaning. Product shall be available in both right and left side entry. The showering enclosure shall be Kohler Model K-\_\_\_\_-L-SHP.

# MINIMA™

## Installation Notes

Install this product according to the installation guide.



**Product Diagram**