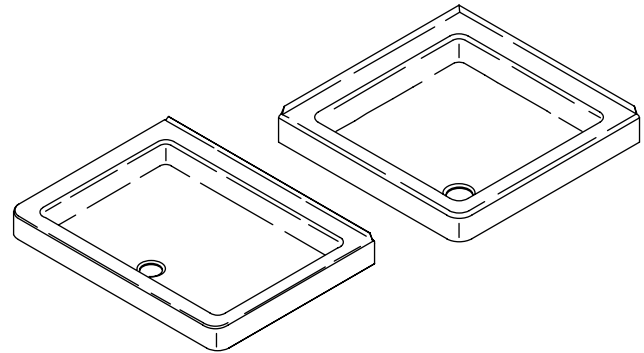


Features

- Acrylic
- Reinforced with fiberglass (FRP)
- Skid-resistant floor
- 60" (152.4 cm) x 36" (91.4 cm) for K-9852
- 36" (91.4 cm) x 36" (91.4 cm) for K-9858
- 48" (122 cm) x 36" (91.4 cm) for K-9861

SHOWER RECEPTOR K-9852 ALSO K-9858, K-9861



Codes/Standards Applicable

Specified model meets or exceeds the following:

- ANSI Z124.2
- IAPMO/UPC
- Listed in State of Massachusetts

Colors/Finishes

- 0: White
- Other: Refer to Price Book for additional colors/finishes

Accessories:

- CP: Polished Chrome
- PB: Polished Brass
- Other: Refer to Price Book for additional colors/finishes

Specified Model

Model	Description	Colors/Finishes	
K-9852	60" (152.4 cm) x 36" (91.4 cm) shower receptor	<input type="checkbox"/> 0 White	<input type="checkbox"/> Other _____
K-9858	36" (91.4 cm) x 36" (91.4 cm) shower receptor	<input type="checkbox"/> 0 White	<input type="checkbox"/> Other _____
K-9861	48" (122 cm) x 36" (91.4 cm) shower receptor	<input type="checkbox"/> 0 White	<input type="checkbox"/> Other _____

Recommended Accessory			
K-9132	Shower drain	<input type="checkbox"/> CP	<input type="checkbox"/> PB <input type="checkbox"/> Other _____

Optional Accessories			
K-1182	Vinyl tiling-in bead		<input type="checkbox"/> NA
K-9856	Profile pivot shower door (for K-9858)	<input type="checkbox"/> SV <input type="checkbox"/> BR	<input type="checkbox"/> Other _____
K-9859	Profile pivot shower door (for K-9861)	<input type="checkbox"/> SV <input type="checkbox"/> BR	<input type="checkbox"/> Other _____
K-9850	Profile pivot shower door (for K-9852)	<input type="checkbox"/> SV <input type="checkbox"/> BR	<input type="checkbox"/> Other _____

Product Specification

The shower receptor shall be 60" (152.4 cm) in length and 36" (91.4 cm) in width (K-9852), or 36" (91.4 cm) in length and 36" (91.4 cm) in width (K-9858), or 48" (122 cm) in length and 36" (91.4 cm) in width (K-9861). Shower receptor shall be made of acrylic reinforced with fiberglass (FRP). Shower receptor shall have a skid-resistant floor. Shower receptor shall be Kohler Model K-_____-_____.

PROFILE®

Technical Information

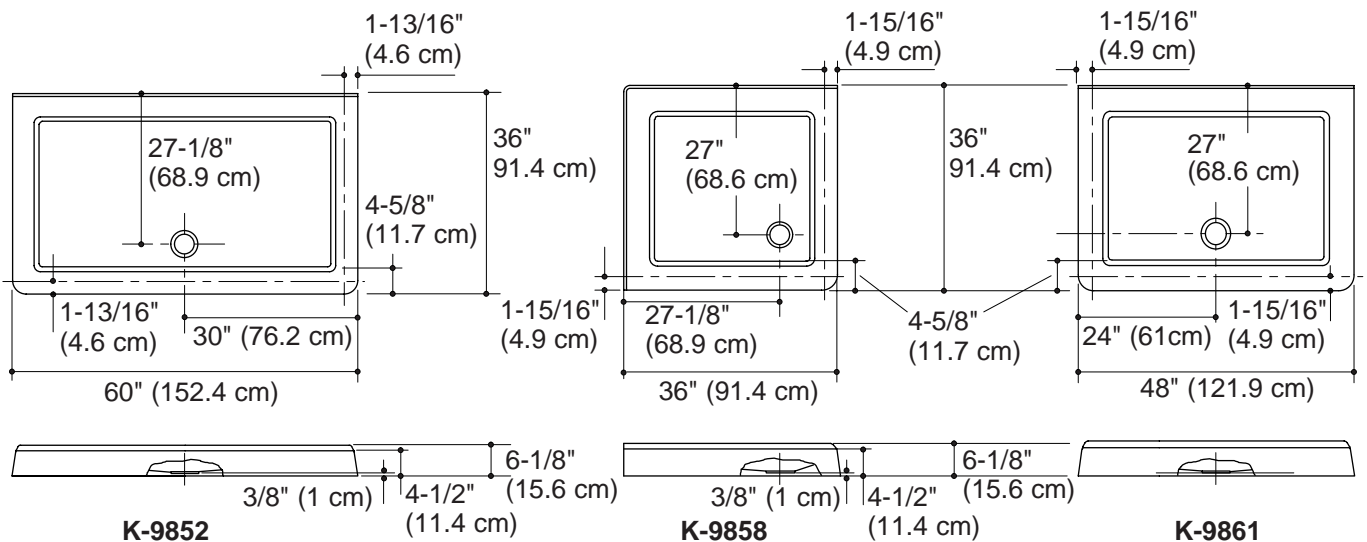
Fixture:	
Configuration	1-piece
Weight, K-9852	84 lbs. (38.1 kg)
Weight, K-9858	50 lbs. (22.7 kg)
Weight, K-9861	56 lbs. (25.4 kg)
Drain hole	3-3/8" (8.6 cm) D.

Installation Notes

Install this product according to the installation guide.

IMPORTANT! If a Kohler Profile shower door is used with a Kohler receptor, refer to the special framing instructions inside the installation instructions for the receptor.

Shimming may be required to level the receptor.



Product Diagram