

Features

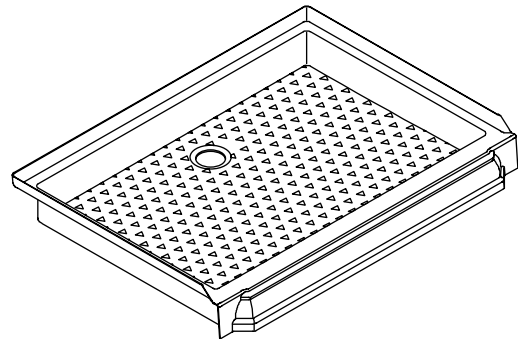
- Acrylic
- Reinforced with fiberglass (FRP)
- Molded-in floor pattern
- Coordinating Memoirs® Suite
- 60" (152.4 cm) x 34" (86.4 cm) x 4-1/2" (11.4 cm)

60" (152.4 cm) ONE-PIECE ACRYLIC SHOWER RECEPTOR K-9568

Codes/Standards Applicable

Specified model meets or exceeds the following:

- ANSI Z124.2



Colors/Finishes

- 0: White
- Other: Refer to Price Book for additional colors/finishes

Accessories:

- CP: Polished Chrome
- PB: Polished Brass
- Other: Refer to Price Book for additional colors/finishes

Specified Model

Model	Description	Colors/Finishes		
K-9568	60" (152.4 cm) one-piece acrylic shower receptor	<input type="checkbox"/> 0 White	<input type="checkbox"/> Other_____	

Recommended Accessory				
K-9132	Shower drain	<input type="checkbox"/> CP	<input type="checkbox"/> PB	<input type="checkbox"/> Other_____

Optional Accessories
Refer to Fixtures Price Book for shower door selections, glass options, and color information.

Product Specification

The one-piece shower receptor shall be 60" (152.4 cm) in length, 34" (86.4 cm) in width, and 4-1/2" (11.4 cm) in height. Shower receptor shall be made of acrylic reinforced with fiberglass (FRP). Receptor shall have molded-in floor pattern and be part of the coordinated Memoirs suite. Shower receptor shall be Kohler Model K-9568-_____.

Technical Information

Fixture:	
Weight	68 lbs. (30.8 kg)
Drain hole	3-3/8" D. (8.6 cm)
Configuration	1-piece

Installation Notes

Refer to installation instructions included with the fixture before beginning installation.

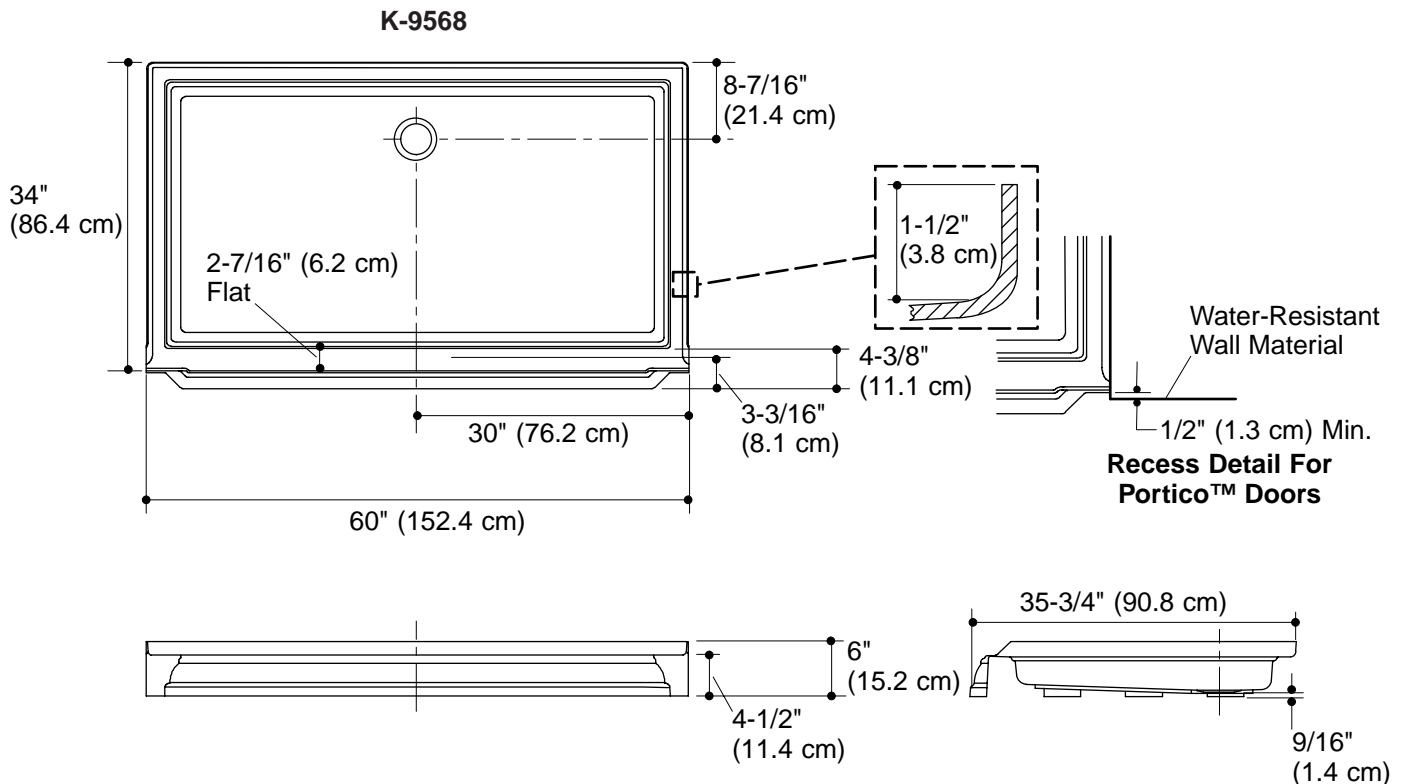
IMPORTANT! When installing this unit with Kohler Portico shower doors, the receptor will need to be recessed a minimum of 1/2" (1.3 cm) in from the water-resistant wall material to ensure proper door placement.

Shimming may be required to level the fixture.

Stud opening tolerance is + 1/4" (6 mm), - 0" (0 mm).

When fire rated construction is specified, dimensions are to the inside of the fire-rated wall.

Some shimming between stud frame and fixture may be required.



Product Diagram