

KOHLER® Roughing-In

K-T10593, K-T10594, K-T10595, K-T10596 BANCROFT™ THERMOSTATIC FAUCET TRIM

Product Information

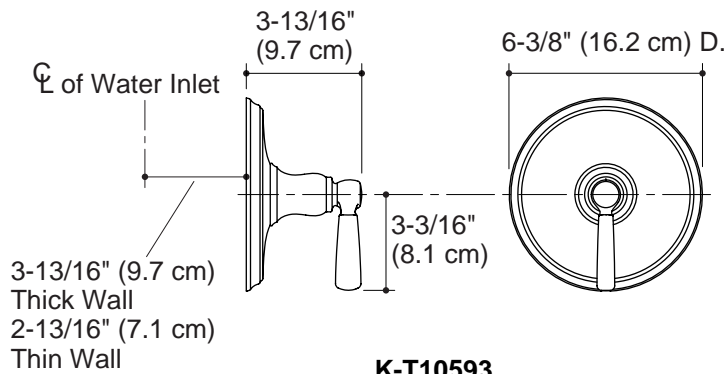
Applicable faucet trim only*:	
Thermostatic valve trim, metal lever handle	K-T10593-4
Thermostatic valve trim, ceramic lever handle	K-T10593-4P
Stacked thermostatic valve trim, metal lever handle	K-T10594-4
Stacked thermostatic valve trim, ceramic lever handle	K-T10594-4P
Transfer valve trim, metal lever handle	K-T10595-4
Transfer valve trim, ceramic lever handle	K-T10595-4P
Volume control trim, metal lever handle	K-T10596-4
Volume control trim, ceramic lever handle	K-T10596-4P
*Applicable valve must be ordered to complete the faucet.	
Lever handle(s) is/are ADA compliant. ADA	

Applicable thermostatic valve only (not shown)**:	
3/4" Thermostatic valve	K-669-KS
3/4" Stacked thermostatic valve	K-670-KS

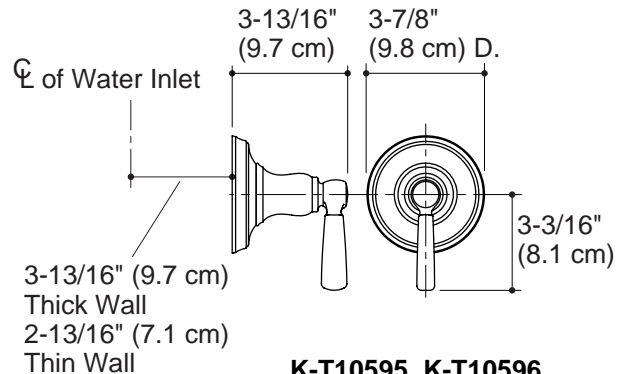
3/4" Volume control	K-671-K
3/4" Transfer valve	K-672-K
1/2" Thermostatic valve	K-679-KS
1/2" Stacked thermostatic valve	K-680-KS
1/2" Volume control	K-681-K
**Required for the illustration configured below.	

Installation Notes

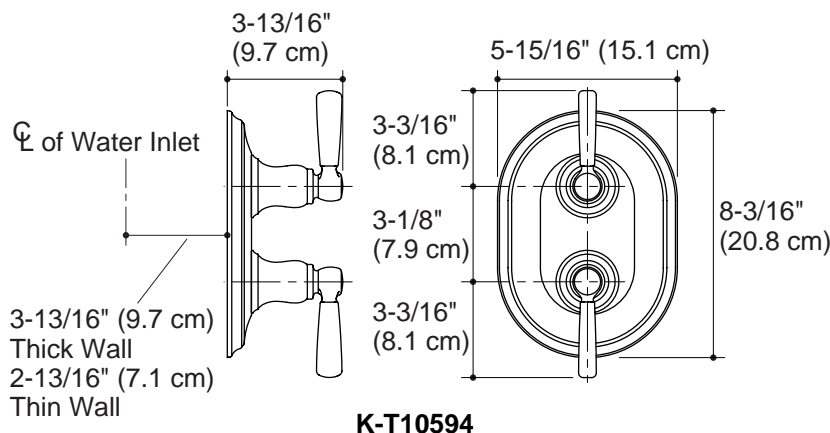
Install this product according to the installation guide.



K-T10593



K-T10595, K-T10596



K-T10594