

SHOWER ARM AND FLANGE
K-7395
ALSO K-7397

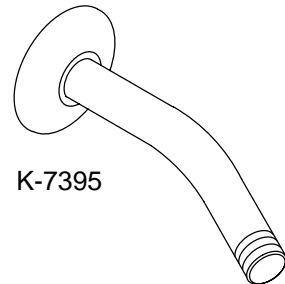
FEATURES

- Brass pipe construction
- 1/2"-14 NPT thread both ends
- Wall-mount flange

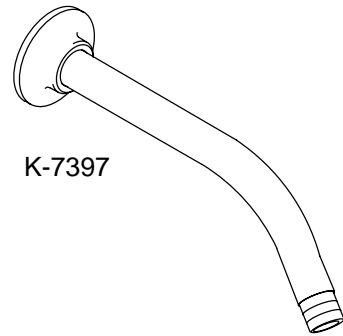
CODES/STANDARDS APPLICABLE

Specified model meets or exceeds the following:

- ASME/ANSI A112.18.1M



K-7395



K-7397

COLORS/FINISHES

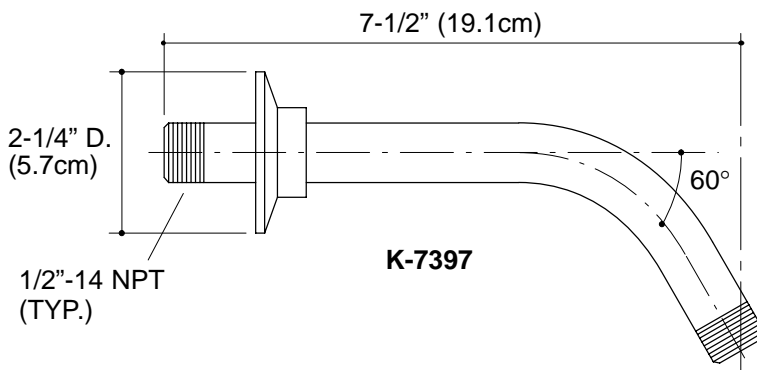
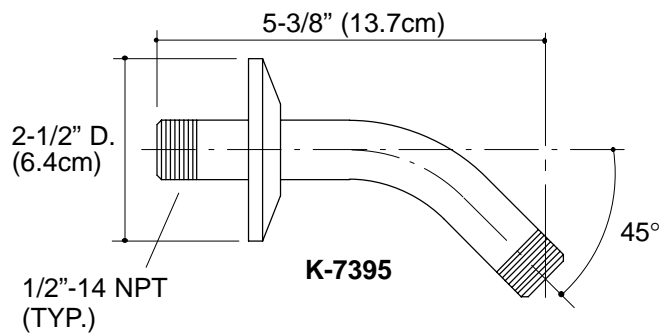
- CP Polished Chrome
- PB Polished Brass
- Other Refer to Faucets Price Book for additional finishes

SPECIFIED MODEL:

Model	Description			
K-7395	5-3/8" (13.7cm) shower arm and flange	<input type="checkbox"/> CP	<input type="checkbox"/> PB	
K-7397	7-1/2" (19.1cm) shower arm and flange	<input type="checkbox"/> CP	<input type="checkbox"/> PB	<input type="checkbox"/> Other

PRODUCT SPECIFICATION:

Shower arm shall be of brass pipe construction. Product shall have 1/2-14 NPT thread both ends. Product shall have wall-mount flange. Shower arm shall be Kohler Model K-_____-_____.



38

PRODUCT DIAGRAM