

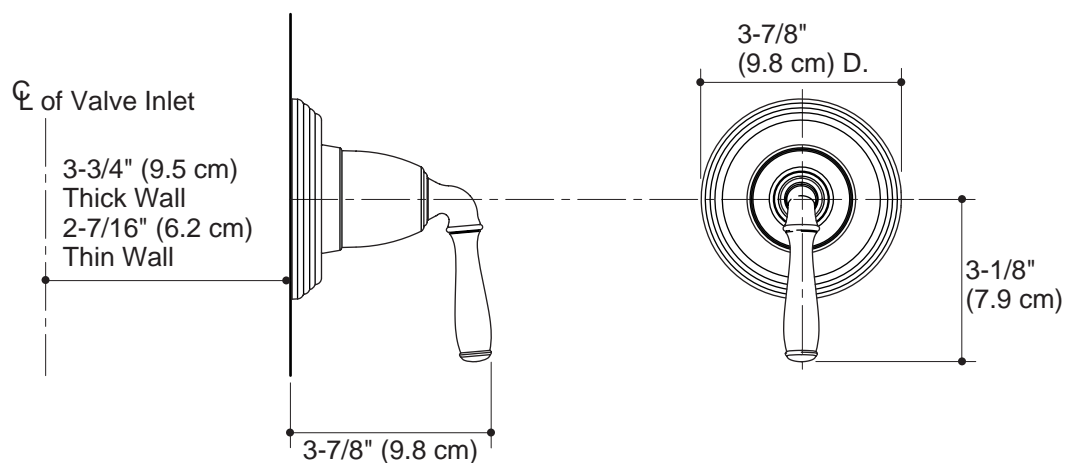
Product Information

Applicable faucet trim only*:	
Transfer valve trim	K-T376-4
*Applicable valve must be ordered to complete faucet.	
Lever handles are ADA compliant.	ADA

Applicable thermostatic valve only (not shown)**:	
3/4" Transfer valve	K-672-K
**Required for illustration configured below.	

Installation Notes

Install this product according to the installation guide.



K-T376