

**TRANSFER VALVE TRIM
K-T376**

ADA

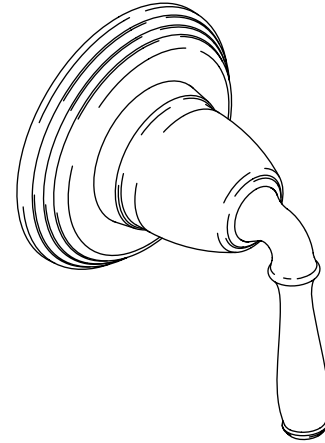
Features

- Brass construction
- Available with lever handle
- Front seal plate assembly
- Handle assembly
- Complements Devonshire® Suite

Codes/Standards Applicable

Specified model meets or exceeds the following:

- ASME A112.18.1
- CSA B125
- IAPMO/UPC
- ADA



Colors/Finishes

- CP: Polished Chrome
- PB: Polished Brass
- Other: Refer to Price Book for additional colors/finishes
- NA: None applicable

Specified Model

For complete valve, both faucet trim and valving must be specified.			
Model	Description	Colors/Finishes	
K-T376-4	Transfer valve trim	<input type="checkbox"/> CP	<input type="checkbox"/> PB <input type="checkbox"/> Other ____
Required Accessories			
K-672-K	3/4" Transfer valve	<input type="checkbox"/> NA	

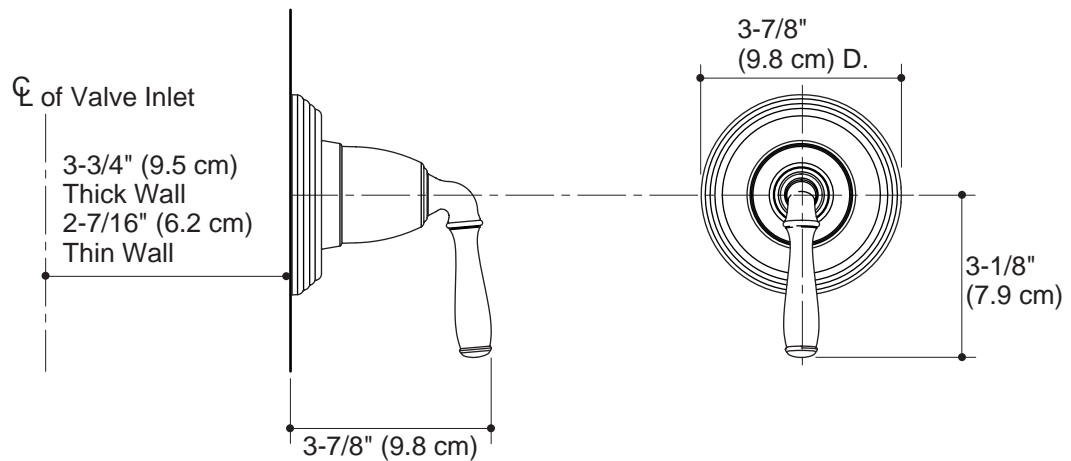
Product Specification

Thermostatic faucet trim shall be of brass construction. Trim shall include from seal plate assembly and handle assembly. Trim shall complement the Devonshire® suite. Transfer valve trim shall be Kohler Model K-T376-4-____ and transfer valve shall be K-672-K-NA.

DEVONSHIRE®

Installation Notes

Install this product according to the installation guide.



K-T376

Product Diagram