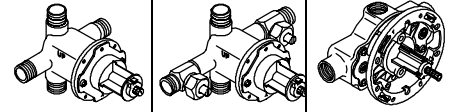


FAIRFAX™

Required Accessory

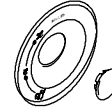
(For K-T12007, K-T12014, and K-T12021 Only)

K-304-K	Rite-Temp Valve Without Stops	<input type="checkbox"/> NA		
K-304-KS	Rite-Temp Valve With Stops		<input type="checkbox"/> NA	
K-306-KS	HiFlow Rite-Temp Valve With Integral Stops			<input type="checkbox"/> NA



Optional Accessory

K-12002	Plug Button Set	<input type="checkbox"/> Other__			
88526	HiFlow Rite-Temp Thin Wall Installation Kit		<input type="checkbox"/> CP	<input type="checkbox"/> PB	<input type="checkbox"/> Other__



PRODUCT INFORMATION



WARNING: Risk of damage to the K-306-KS valve assembly. When using the K-306-KS valve in a fiberglass or acrylic installation, use the thin wall installation kit (88526).

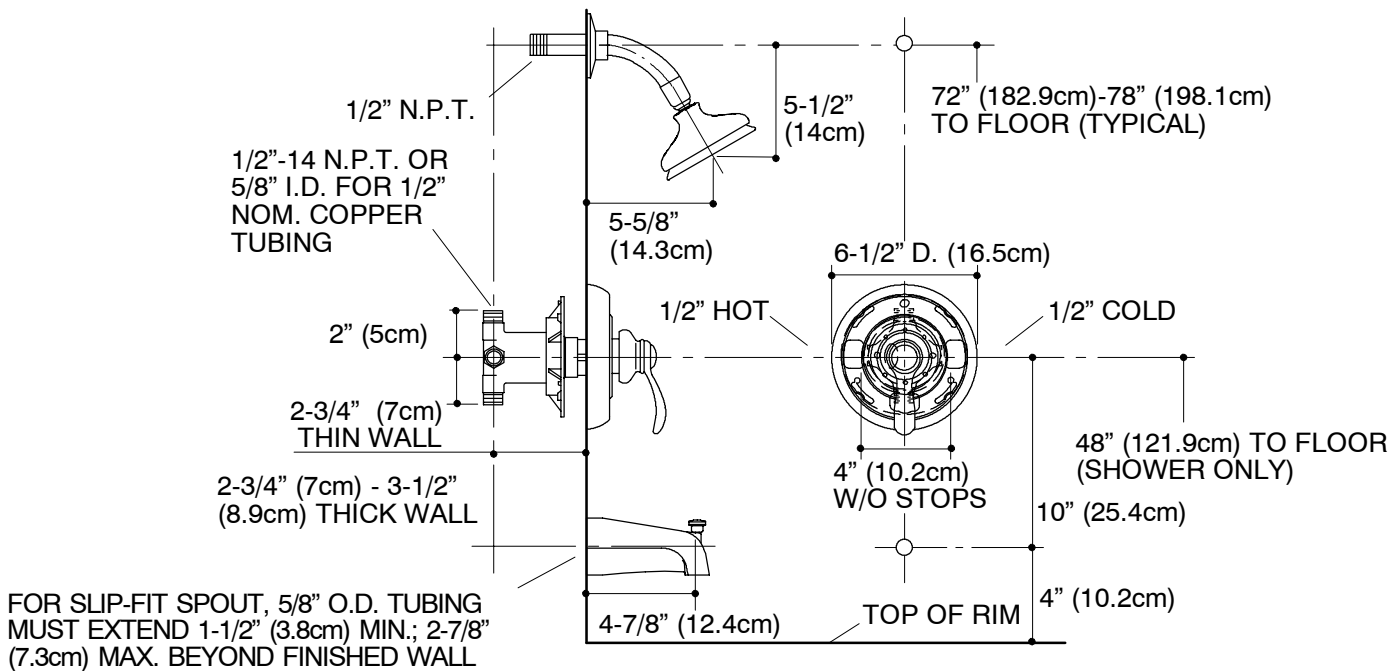
INSTALLATION NOTES

Install this project according to the installation guide.

Avoid cross-flow conditions. Do not install shut-off device on either valve outlet.

Cap shower outlet if deck-mount spout, diverter, or handshower is connected to spout outlet.

Install straight pipe or tube drop of 7" (17.8cm) to 18" (45.7cm) with single elbow between valve and wall-mount spout.



PRODUCT DIAGRAM