

KOHLER® Roughing-In

K-T464, K-T465, K-T466 MEMOIRS® CLASSIC BATH AND SHOWER FAUCET TRIM

Product Information

Applicable product:	
Bath and shower trim, cross handle	K-T464-3C
Bath and shower trim, lever handle	K-T464-4C
Shower only trim, cross handle	K-T465-3C
Shower only trim, lever handle	K-T465-4C
Valve only trim, cross handle	K-T466-3C
Valve only trim, lever handle	K-T466-4C
Lever handle is ADA compliant	ADA

Applicable Rite-Temp valve**:	
Rite-Temp® valve without stops OR	K-304-K
Rite-Temp® valve with stops OR	K-304-KS
HiFlow Rite-Temp® valve with integral stops	K-306-KS
** Required	

Recommended accessories:	
HiFlow Rite-Temp® thin wall installation kit	88526
Optional accessories:	
Deep roughing-in kit for Rite-Temp® valve (all handles)	73418

Installation Notes



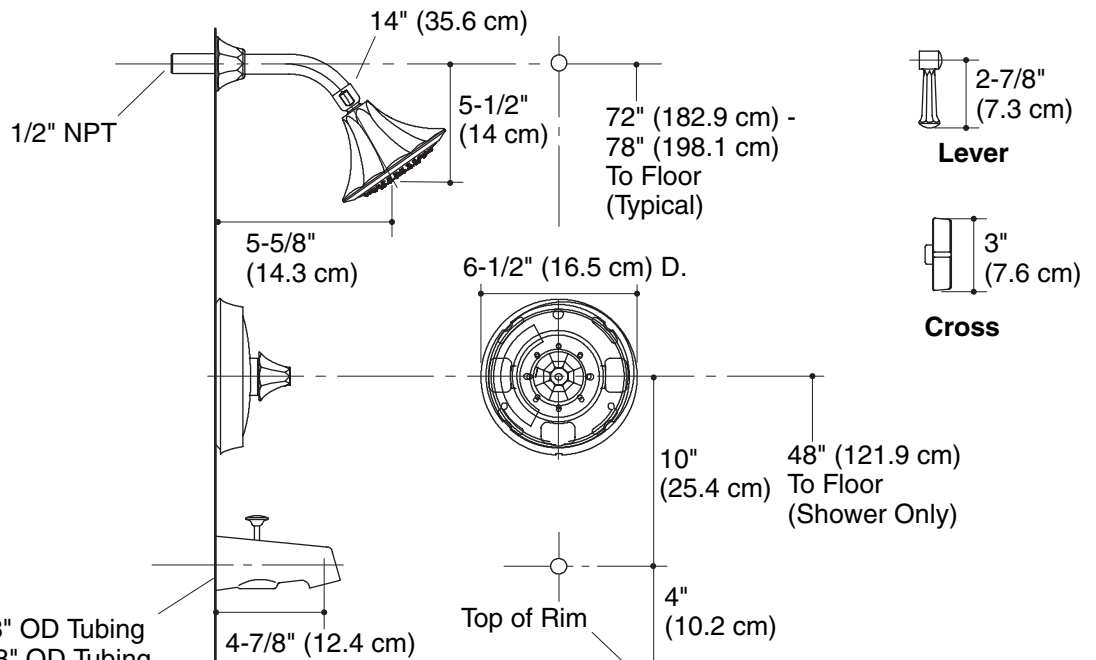
WARNING: Risk of damage to the K-306-KS valve assembly. When using the K-306-KS valve in a fiberglass or acrylic installation, use the thin wall installation kit (88526).

Install this product according to the installation guide.

Avoid cross-flow conditions. Do not install shut-off device on either valve outlet.

Cap shower outlet if deck-mount spout, diverter, or handshower is connected to spout outlet.

Install straight pipe or tube drop of 7" (17.8 cm) to 18" (45.7 cm) with single elbow between valve and wall-mount spout.



1/2" NPT Pipe or 5/8" OD Tubing For Slip-fit Spout, 5/8" OD Tubing Must Extend 1-1/2" (3.8 cm) Min-2-7/8" (7.3 cm) Max Beyond Finished Wall. For NPT Spout, Pipe Must Extend 3-7/8" (9.8 cm) Beyond Finished Wall.